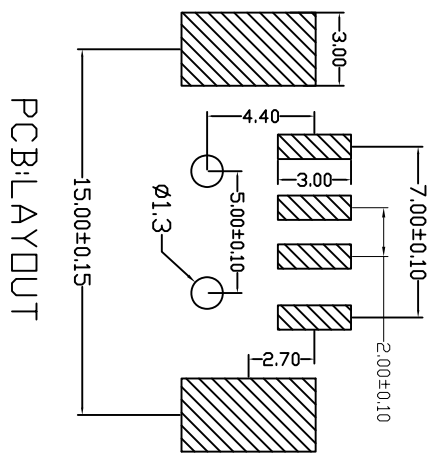
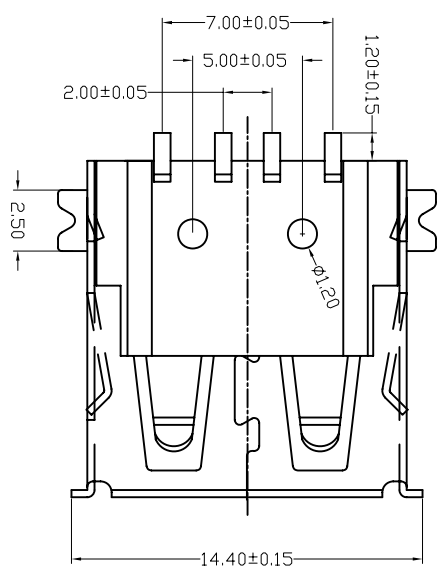
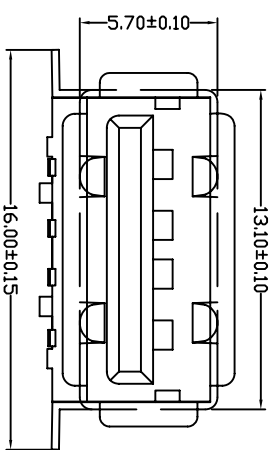
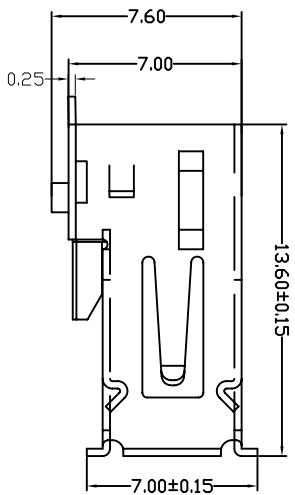


目錄 MAPX	變更內容 MODIFICATION	日期 DATE
Δ	側彈變更	2013. 3. 10



NOTES:

Housing: Thermoplastics, UL94V-0

Contact: Copper Alloy

Shell: Copper Alloy/Steel

Voltage Current Rating: 1.5 AMP. 30V AC

Insulation Resistance: 1000MΩ Min.

Contact Resistance: 30 MΩ Max.

Dielectric Withstanding Voltage: 500W AC

Temperature Range: -35°C to +85°C

Insulator color: Black/White

Plastic material: PBT/LCP/Others

Shell finish: Nickel plated/Tin-Lead plated

Mechanical:

Mating Force: 3.5KG MAX

Umating Force: 0.7 KG MIN.

Contact finish:

01: Selective Gold Flash

02: Selective Gold 3U”

03: Selective Gold 5U”

04: Selective Gold 15U”

05: Selective Gold 30U”

备注：侧弹分为外弹与内弹

深圳市精拓金电子有限公司

产品图 PRODUCT CHART DWG		单位 UNITS		制图 DRAWING		产品料号 PRODUCT PART NO.	
公差一览表 TOLERANCE UNLESS OTHERWISE		MM	Z-Y-B	JTJ-USB-AF-SMT-01			
X	±0.25	X	雷永键	产品名称 PRODUCT NAME		USB A母贴板鱼叉脚有柱	
X	±0.20	X	审核 CHECK	角法 ANGLE		版本 VERSION	
XX	±0.15	XX	核准 APPD	雷永键		A0	
.XXX	±0.10	.XXX	日期 DATE	2009. 10. 20			