

1 ROHS

2 3

4

Autodesk 教育版产品制作

7

8

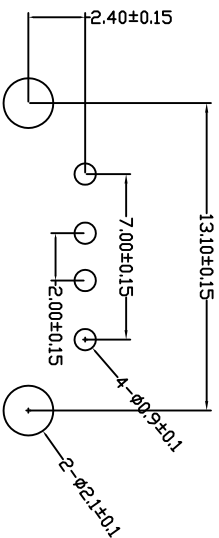
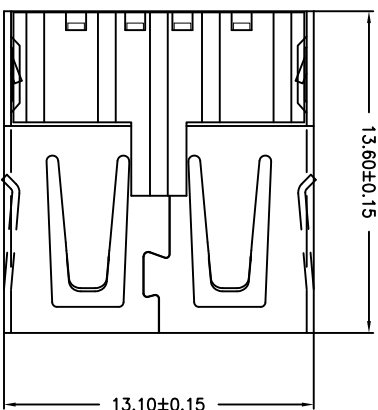
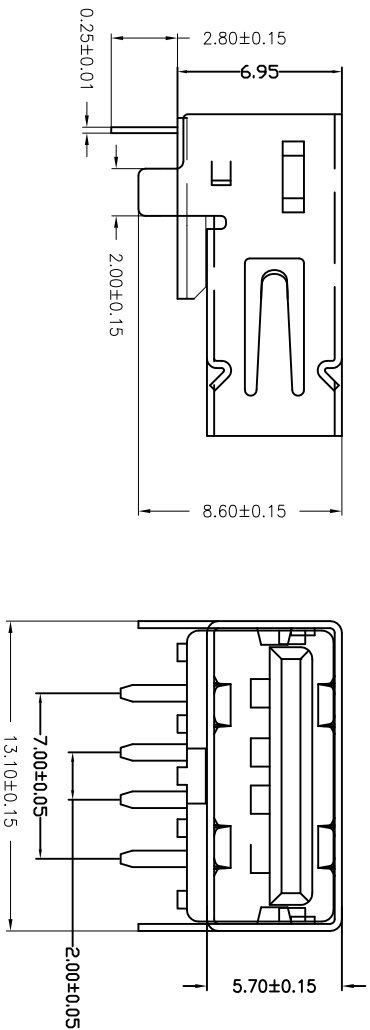
9

10

MAPX	MODIFICATION	DATE
------	--------------	------

NOTES:

- Housing: Thermoplastics, UL94V-0
- Contact: Copper Alloy
- Shell: Copper Alloy/Steel
- Voltage Current Rating: 1.5 AMP, 30V AC
- Insulation Resistance: 1000MΩ Min.
- Contact Resistance: 30 MΩ Max.
- Dielectric Withstanding Voltage: 500V AC
- Temperature Range: -35°C to +85°C
- Insulator color: Black/White
- Plastic material: PBT/LCP/Others
- Shell finish: Nickel plated/Tin-Lead plated
- Mechanical:
  - Mating Force: 3.5KG MAX
  - Umating Force: 0.7 KG MIN.
- Contact finish:
  - 01: Selective Gold Flash
  - 02: Selective Gold 3U"
  - 03: Selective Gold 5U"
  - 04: Selective Gold 15U"
  - 05: Selective Gold 30U"



PCB LAYOUT

备注：侧弹分为外弹与内弹

# 深圳市精拓金电子有限公司

## 产品图

PRODUCT CHART DWG

公差一览表

TOLERANCE UNLESS OTHERWISE SPECIFIED	OTHER USE
X ±0.35	X ±5.°
X ±0.20	X ±2.°
.XX ±0.10	.XX ±1.°
.XXX ±0.05	.XXX ±0.5°

单位	MM	制图	许密强	制图料号
UNITS	MM	DRAWING	审核	PRODUCT PART NO.
比例	1:1	SCALE	审核	产品名称
日期	2016-09-09	DATE	核准	PRODUCT NO.
			黄国荣	角法
				版本
				VER
				A0

G F E D C B A

1 2 3 4 7 8 9 10

Autodesk 教育版产品制作

7

8

9

10