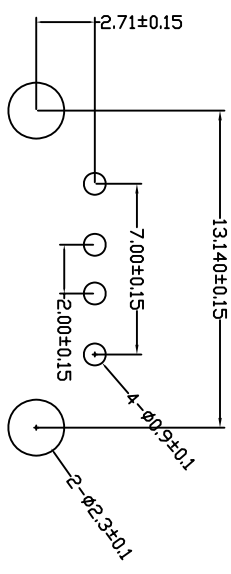
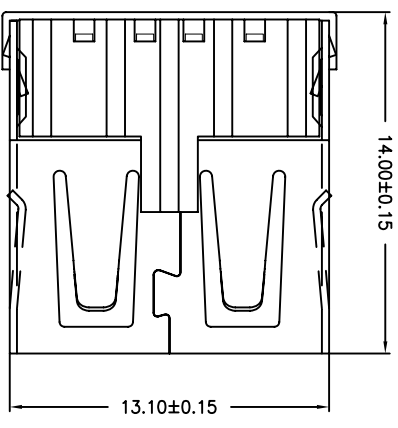
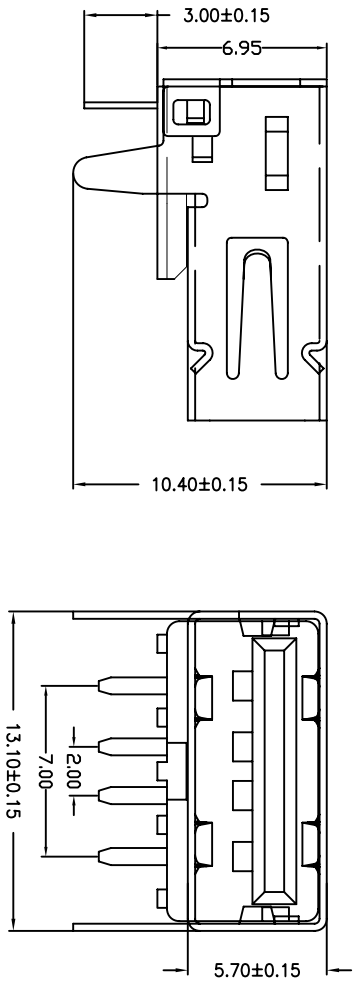


目錄 MAPX	變更內容 MODIFICATION	日期 DATE
------------	----------------------	------------



RECOMMENDED P.C.B. PATTERN LAYOUT

备注：侧弹分为外弹与内弹

NOTES:
Housing: Thermoplastics, UL94V-0
Contact: Copper Alloy
Shell: Copper Alloy/Steel
Voltage Current Rating: 1.5 AMP. 30V AC
Insulation Resistance: 1000MΩ Min.
Contact Resistance: 30 MΩ Max.
Dielectric Withstanding Voltage: 500W AC
Temperature Range: -35°C to +85°C
Insulator color: Black/White
Plastic material: PBT/LCP/Others
Shell finish: Nickel plated/Tin-Lead plated
Mechanical:
Mating Force: 3.5KG MAX
Umating Force: 0.7 KG MIN.
Contact finish:
01: Selective Gold Flash
02: Selective Gold 3U”
03: Selective Gold 5U”
04: Selective Gold 15U”
05: Selective Gold 30U”

产品图
PRODUCT CHART DWG

深圳市精拓金电子有限公司

公差一览表 TOLERANCE UNLESS OTHERWISE		单位 UNITS	MM	制图 DRAWING	Z-Y-B	产品料号 PRODUCT PART NO.	JTJ-USB-AF-02
X	±0.25	X'	±5'	比例 SCALE	1:1	审核 CHECK	雷永键
X	±0.20	X'	±2'	日期 DATE	2009/10/20	核准 APPD	雷永键
XX	±0.15	XX'	±1'			角法 VIEW	⊕ ⊖
.XXX	±0.10	.XXX'	±0.5'			版本 VERS	A0