

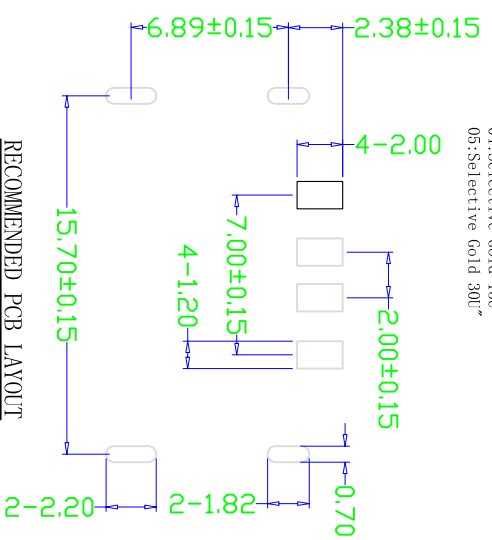
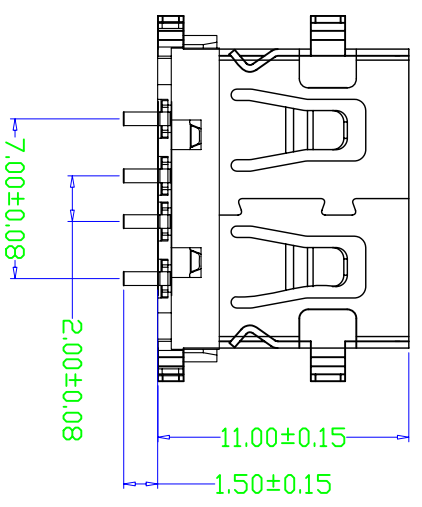
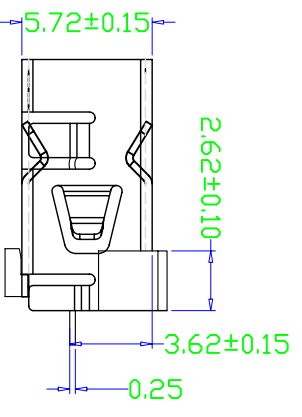
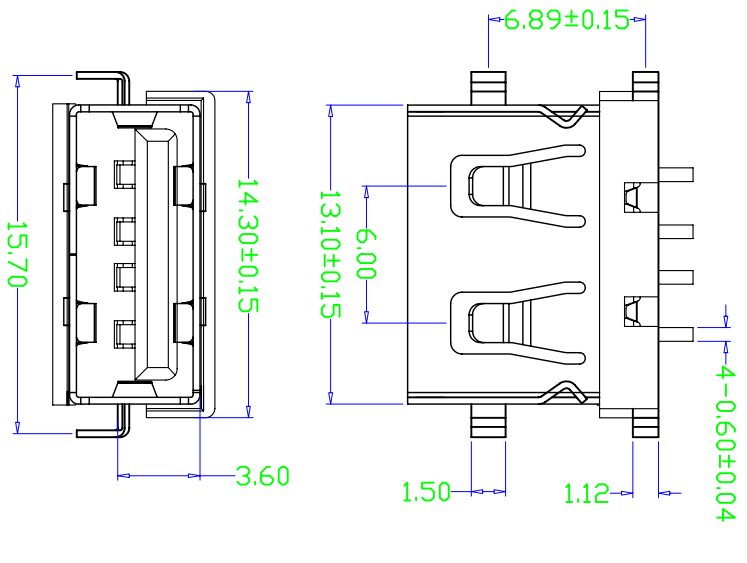
|      |              |      |
|------|--------------|------|
| MAPX | MODIFICATION | DATE |
|------|--------------|------|

NOTE:  
1. Material:  
Housing: Thermoplastics, UL94V-0 (ROHS, HF)  
Contact: Phosphor Bronze C5191-EH/C2680-EH, T=0.25mm  
Shell: COPPER ALLOY T=0.30mm

2. FINISH:  
Contact: 15u" Gold Plated on Contact Area,  
80u" Min. Tin Plated on Solder Area,  
50u" Min. Nickel Underplating Over All.  
Shell: 50u" Min. Nickel Underplating Over All.

3. Specification:  
3.1: Rating:  
Rated voltage 500V AC/DC. Rated current: 2 A Max.  
3.2: Electrical:  
Insulation Resistance(EIA-364-21):  
1000MΩ Min. at 500V/DC for 1Minute.  
Contract Resistance(EIA-364-23):  
30 mΩ Max. at 20mV Max, 50mA

Dielectric Withstanding Voltage(EIA-364-20):  
No discharge, Flashover or breakdown at 500V/AC 1Minute  
4. Plug extraction force shall be between 1.0kgf and 2.00kgf  
5. Contact finish:  
01:Selective Gold Flash  
02:Selective Gold 3u"  
03:Selective Gold 5u"  
04:Selective Gold 15u"  
05:Selective Gold 30u"



RECOMMENDED PCB LAYOUT  
GENERAL TOLERANCES: ±0.05

产品图  
PRODUCT CHART DWG

深圳市精拓金电子有限公司

|                            |            |       |           |         |       |                  |                     |
|----------------------------|------------|-------|-----------|---------|-------|------------------|---------------------|
| 公差一览表                      |            | 单位    | MM        | 制图      | Z-Y-B | 制料号              |                     |
| TOLERANCE UNLESS OTHERWISE |            | UNITS |           | DRAWING |       | PRODUCT PART NO. |                     |
| X. ±0.15                   | X. ±5°     | 比例    | 1:1       | 审核      |       | 产品名称             | USB A/F 11.0 无边四脚沉板 |
| X. ±0.10                   | X. ±2°     | 日期    | 2014.11.1 | 核准      |       | PRODUCT NO.      |                     |
| XX. ±0.05                  | XX. ±1°    | DATE  |           | APPD    |       | 角法               |                     |
| XXX. ±0.03                 | XXX. ±0.5° |       |           |         |       | VER              | AD                  |

