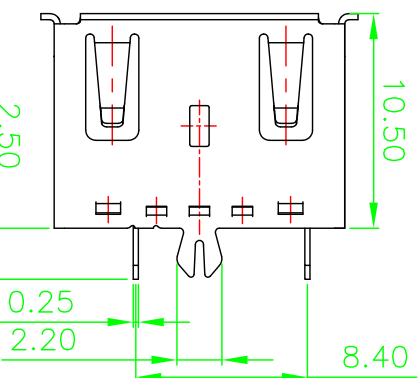
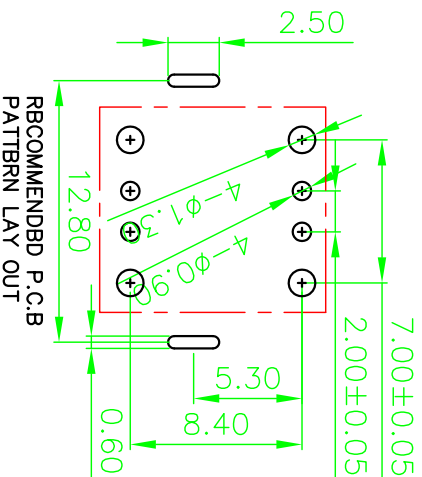
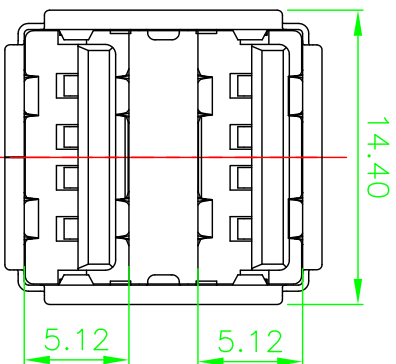
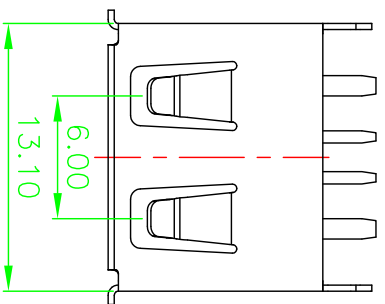
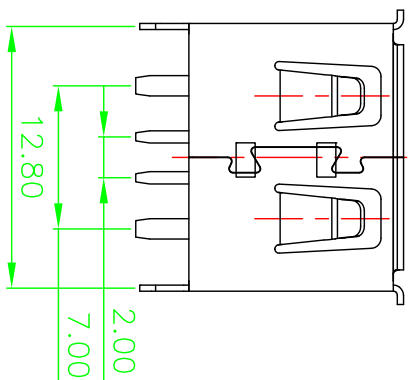


# Parts Drawing



|   |                  |   |
|---|------------------|---|
| 1 | 907-212A1021Y102 | 5 |
| 2 |                  | 6 |
| 3 |                  | 7 |
| 4 |                  | 8 |



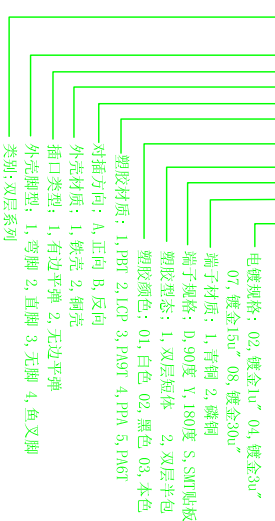
| REVISIONS |         |              |
|-----------|---------|--------------|
| SYM       | ECN No. | MODIFICATION |
|           |         |              |
|           |         |              |

**Note:**

- Material:
  - Housing: High temperature thermoplastic with/black g.f.U194V-0
  - Contact: copper alloy,t=0.25mm
  - Shell: copper/Ferrodilloy alloy,t=0.30mm
- Specification:
  - Current rating:3.0A Max.
  - Dielectric withstanding voltage: 100 V(ac) for 1 min.
  - Contact resistance: 30 mΩ Max.
  - Insulation resistance: 100 MΩ Min.
  - Total mating force: 3.57 Kgf Max.
  - Total unmating force: 1.0 Kgf Min.
- Finish:
  - Contact: Plated Golg in Mating Area: Tin On Solder Talls
- Environmental:
  - Shell: Nickel Plating
  - Temperature range: -55°C~85°C

**PART ON:**

907-222AXXX1Y1XX



**圳** 深圳市精拓金电子有限公司

|          |  |                   |             |                  |
|----------|--|-------------------|-------------|------------------|
| DRAWN    |  | TITLE             | PART NO.    | SEE PART ON      |
| CHECKED  |  | USB AF 10.5短体双层直脚 |             |                  |
| APPROVED |  | 有边                | DRAWING NO. | R907212A1021Y102 |
|          |  |                   | SCALE       | SHEET            |
|          |  |                   | 1:1         | 1 OF 1           |
|          |  |                   | SIZE        | A4               |
|          |  |                   | REV.        | X1               |

|                      |      |                                 |
|----------------------|------|---------------------------------|
| 3RD ANGLE PROJECTION | UNIT | TOLERANCE                       |
|                      | mm   | .XXX±.10, XX±.25, X±.38, ANG±5° |