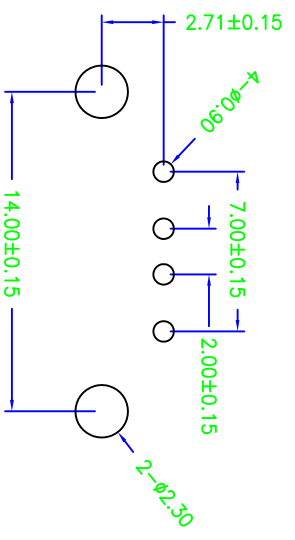
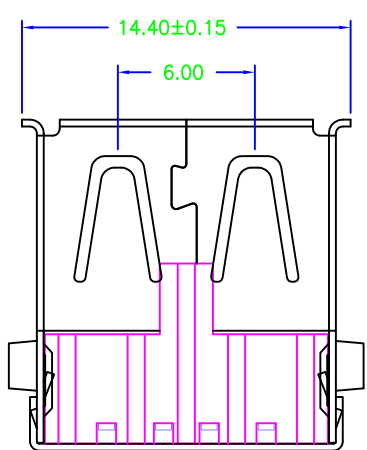
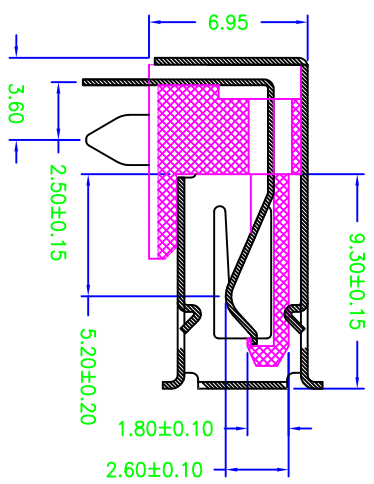
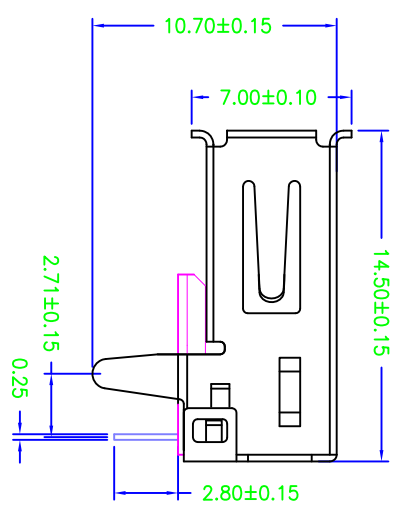
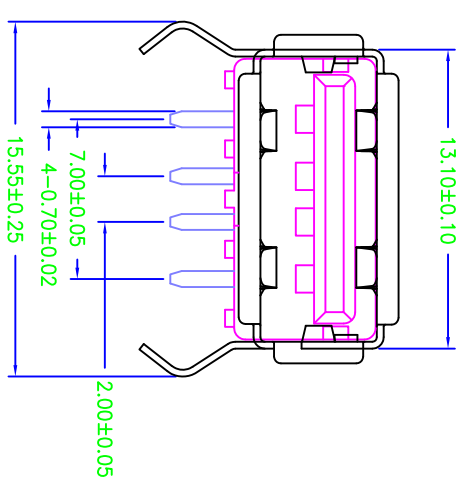


MAPX	MODIFICATION	DATE
------	--------------	------



RECOMMENDED P.C.B PATTERN LAYOUT

NOTES:  
Housing: Thermoplastics, UL 94V-0  
Contact: Copper Alloy  
Shell: Copper Alloy/Steel  
Voltage Current Rating: 1.5 AMP, 30V AC  
Insulation Resistance: 1000MΩ Min.  
Contact Resistance: 30 MΩ Max.  
Dielectric Withstanding Voltage: 500W AC  
Temperature Range: -35°C to +85°C  
Insulator color: Black/White  
Plastic material: PBT/LCP/Others  
Shell finish: Nickel plated/Tin-Lead plated  
Mechanical:  
Mating Force: 3.5KG MAX  
Umating Force: 0.7 KG MIN.  
Contact finish:

- 01: Selective Gold Flash
- 02: Selective Gold 3U"
- 03: Selective Gold 5U"
- 04: Selective Gold 15U"
- 05: Selective Gold 30U"

产品图

公差一览表

公差	公差	公差
X	±0.25	X
.X	±0.20	.X
.XX	±0.15	.XX
.XXX	±0.10	.XXX
	±5.°	
	±2.°	
	±1.°	
	±0.5°	

深圳市精拓金电子有限公司

单位	MM	制图	Z-Y-B	制图料号	
比例	1:1	审核		产品名称	USB A/F外扣14.50弯脚
日期	2013.07.25	核准		角法	
				版本	A0

1 2 3 4 5 6 7 8 9 10