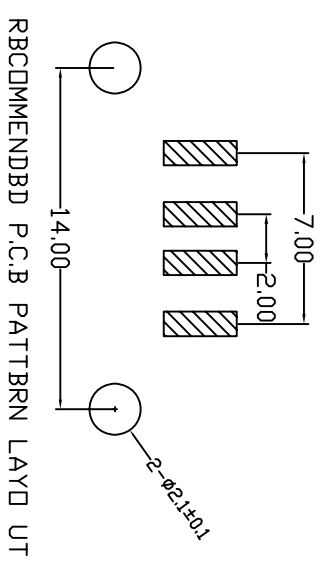
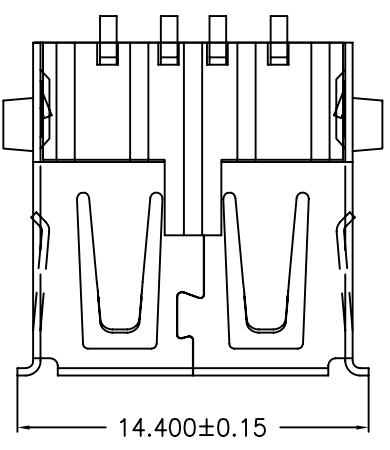
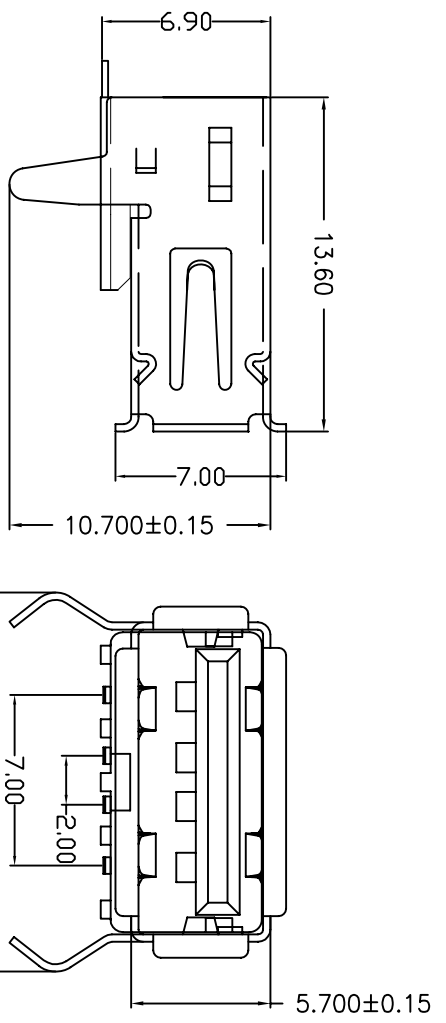


目錄 MAPX	變更內容 MODIFICATION	日期 DATE
------------	----------------------	------------



备注：侧弹分为外弹与内弹

NOTES:
 Housing: Thermoplastics, UL94V-0
 Contact: Copper Alloy
 Shell: Copper Alloy/Steel
 Voltage Current Rating: 1.5 AMP. 30V AC
 Insulation Resistance: 1000MΩ Min.
 Contact Resistance: 30 MΩ Max.
 Dielectric Withstanding Voltage: 500W AC
 Temperature Range: -35°C to +85°C
 Insulator color: Black/White
 Plastic material: PBT/LCP/Others
 Shell finish: Nickel plated/Tin-Lead plated
 Mechanical:
 Mating Force: 3.5KG MAX
 Umating Force: 0.7 KG MIN.
 Contact finish:
 01: Selective Gold Flash
 02: Selective Gold 3U”
 03: Selective Gold 5U”
 04: Selective Gold 15U”
 05: Selective Gold 30U”

产品图
PRODUCT CHART DWG

深圳市精拓金电子有限公司

公差一览表 TOLERANCE UNLESS OTHERWISE		单位 UNITS	MM	制图 DRAWING	Z-Y-B	产品料号 PRODUCT PART NO.	JTJ-USB-AF-21
X	±0.15	X'	±5'	审核 CHKD	雷永健	产品名称 PRODUCT NM.	USB-AF无后盖 前脚DTP后脚SMT弯脚
XX	±0.10	XX'	±2'	核准 APPD	雷永健	角法 VIB	
XXX	±0.05	XXX'	±1'	日期 DATE	2009/10/20	版本 VER	A0
	±0.03	XXX'	±0.5'				