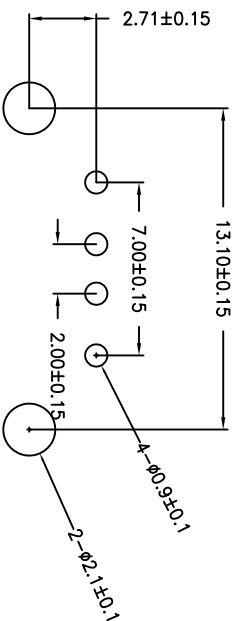
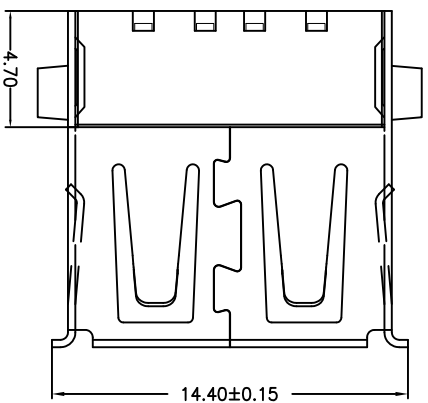
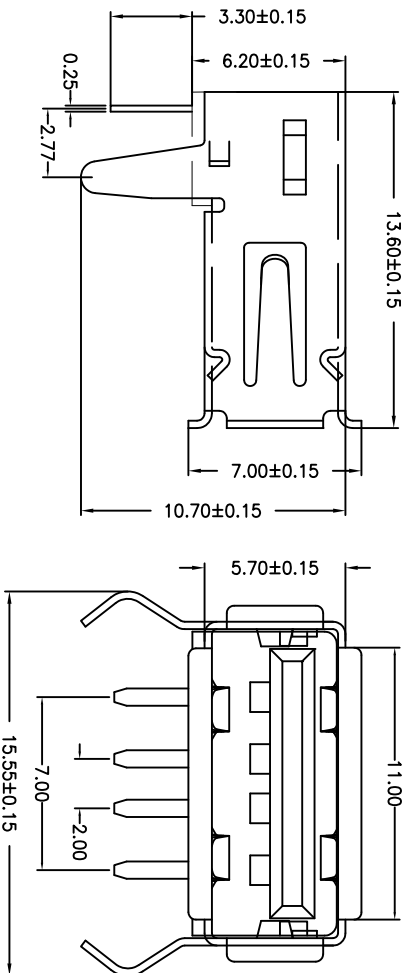


A/F无后盖有边弯脚/DIP (5.85)



RECOMMENDED P.C.B. PATTERN LAYOUT

备注：侧弹分为外弹与内弹

目錄 MAPX	變更內容 MODIFICATION	日期 DATE
------------	----------------------	------------

NOTES:

- Housing: Thermoplastics, UL94V-0
- Contact: Copper Alloy
- Shell: Copper Alloy/Steel
- Voltage Current Rating: 1.5 AMP. 30V AC
- Insulation Resistance: 1000MΩ Min.
- Contact Resistance: 30 MΩ Max.
- Dielectric Withstanding Voltage: 500W AC
- Temperature Range: -35°C to +85°C
- Insulator color: Black/White
- Plastic material: PBT/LCP/Others
- Shell finish: Nickel plated/Tin-Lead plated
- Mechanical:
 - Mating Force: 3.5KG MAX
 - Umating Force: 0.7 KG MIN.
- Contact finish:
 - 01: Selective Gold Flash
 - 02: Selective Gold 3U"
 - 03: Selective Gold 5U"
 - 04: Selective Gold 15U"
 - 05: Selective Gold 30U"

产品图

公差一览表

TOLERANCE UNLESS OTHERWISE SPECIFIED	公差一览表
X	±0.35
X	±0.25
XX	±0.15
XXX	±0.10
X	±5°
X	±2°
XX	±1°
XXX	±0.5°

深圳市精拓金电子有限公司

单位 UNITS	MM	制图 DRAWING	2-Y-B	产品料号 PRODUCT PART NO.
比例 SCALE	1:1	审核 CHECK	雷永键	USB-A/F无后盖弯脚 DIP
日期 DATE	2014/05/24	核准 APPROVE	雷永键	角法 VIEW
				版本 VER
				40