

LED Driver with Average-Mode Constant Current Control



General Description

The FP7182 is an average current mode control LED driver IC operating in a constant off-time mode. FP7182 does not produce a peak-to-average error, and therefore greatly improves accuracy, line and load regulation of the LED current without any need for loop compensation or high-side current sensing. The output LED current accuracy is $\pm 2\%$.

The FP7182 can be powered from an 8.0 - 100V supply. A PWM & Linear dimming input is provided that accepts an external control TTL compatible signal. The output current can be programmed by an internal 277mV reference.

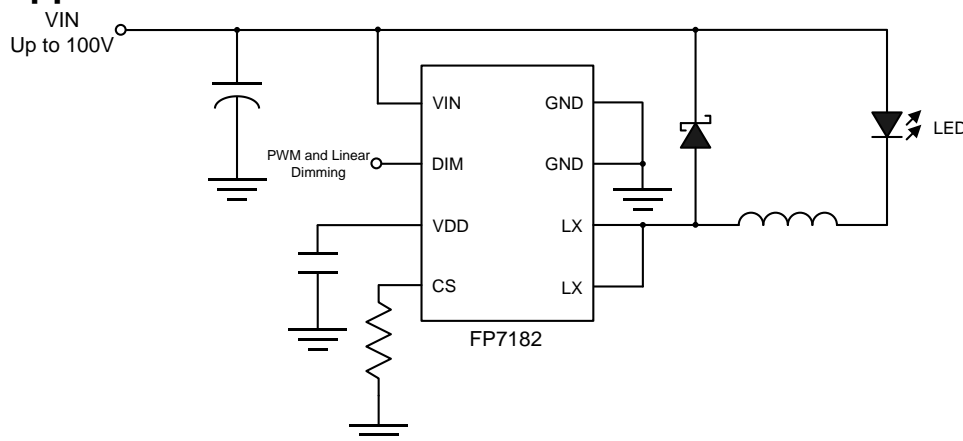
Features

- Fast Average Current Control
- Internal 8 to 100V Linear Regulator
- Linear and PWM Dimming Capability
- Output Short Circuit Protection with Skip Mode
- Requires Few External Components for Operation
- Internal 100V/1.5A N-MOSFET

Applications

- DC/DC or AC/DC LED Driver Applications
- Back Lighting of Flat Panel Displays
- General Purpose Constant Current Source
- Signage and Decorative LED Lighting
- Chargers

Typical Application Circuit



This datasheet contains new product information. Feeling Technology reserves the rights to modify the product specification without notice. No liability is assumed as a result of the use of this product. No rights under any patent accompany the sales of the product.