

**HY601742**

**Electrical Specification @25°C**

RoHS Compliant (PB Free)

Isolation: 1500Vrms (Primary to Secondary)

OCL: 350uH Minimum @100KHz 100mV with 8mA DC

Insertion Loss: -1.4dB Maximum @1MHz ~ 100MHz

Return Loss: -16dB Minimum @1MHz ~ 30MHz

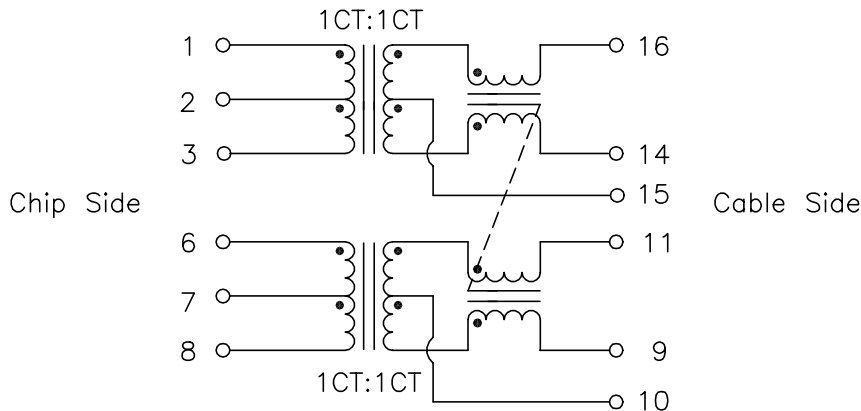
-14dB Minimum @40MHz / -13dB Minimum @50MHz

-12dB Minimum @60MHz ~ 80MHz

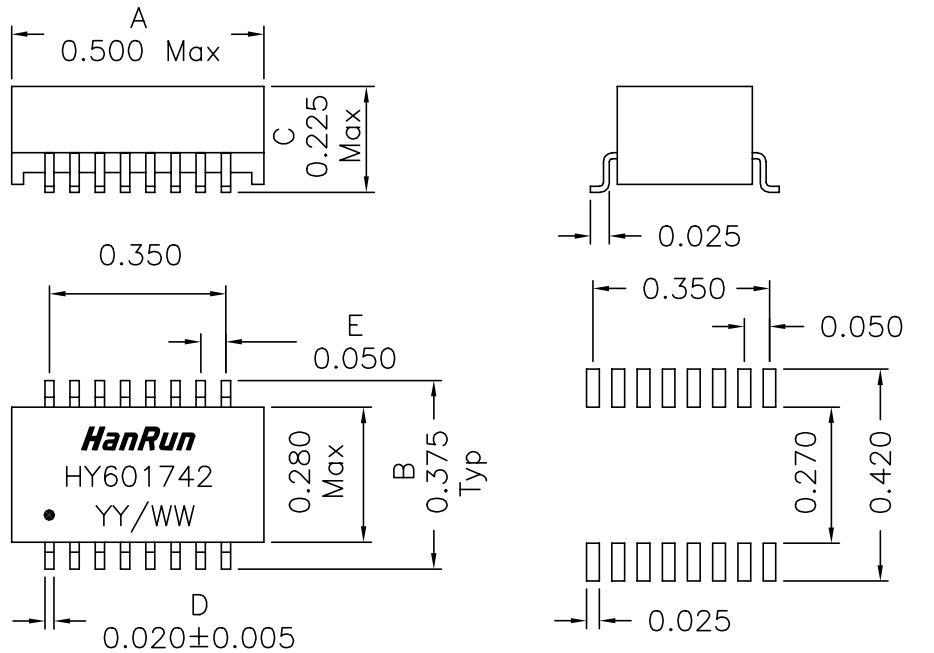
Crosstalk: -40dB Minimum @30MHz / -35dB Minimum @60MHz / -30dB Minimum @100MHz

Designed to meet PoE objectives of IEEE 802.3af

**Schematics**



**Mechanical Dimensions**



Dimensions in inches

Unless otherwise specified, Tol.: .xxx ±0.010

REV.A

SUGGESTED PCB PAD LAYOUT