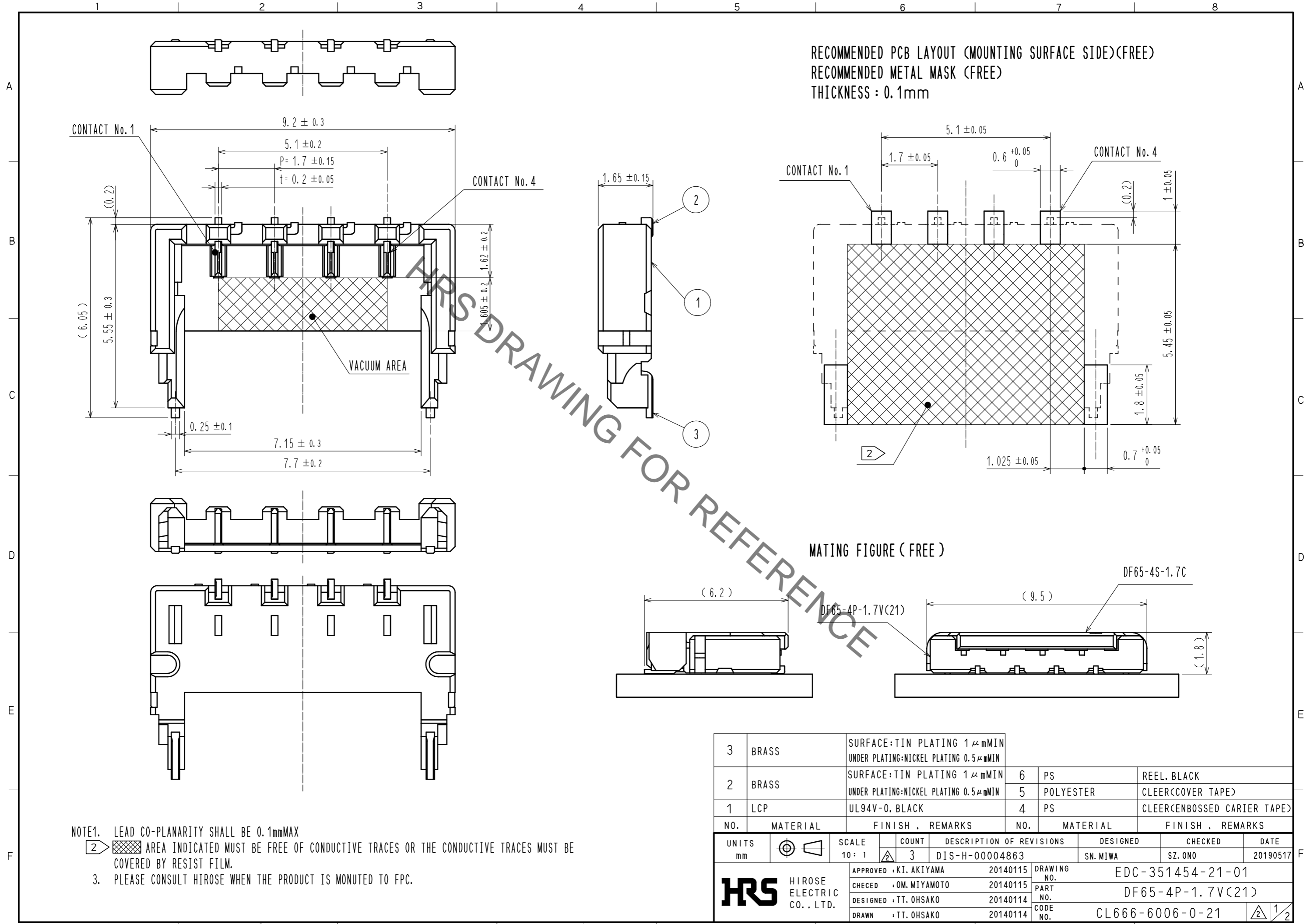


Jul.1.2019 Copyright 2019 HIROSE ELECTRIC CO., LTD. All Rights Reserved.
 In case of consideration for using Automotive equipment / device which demand high reliability, kindly contact our sales window correspondents.

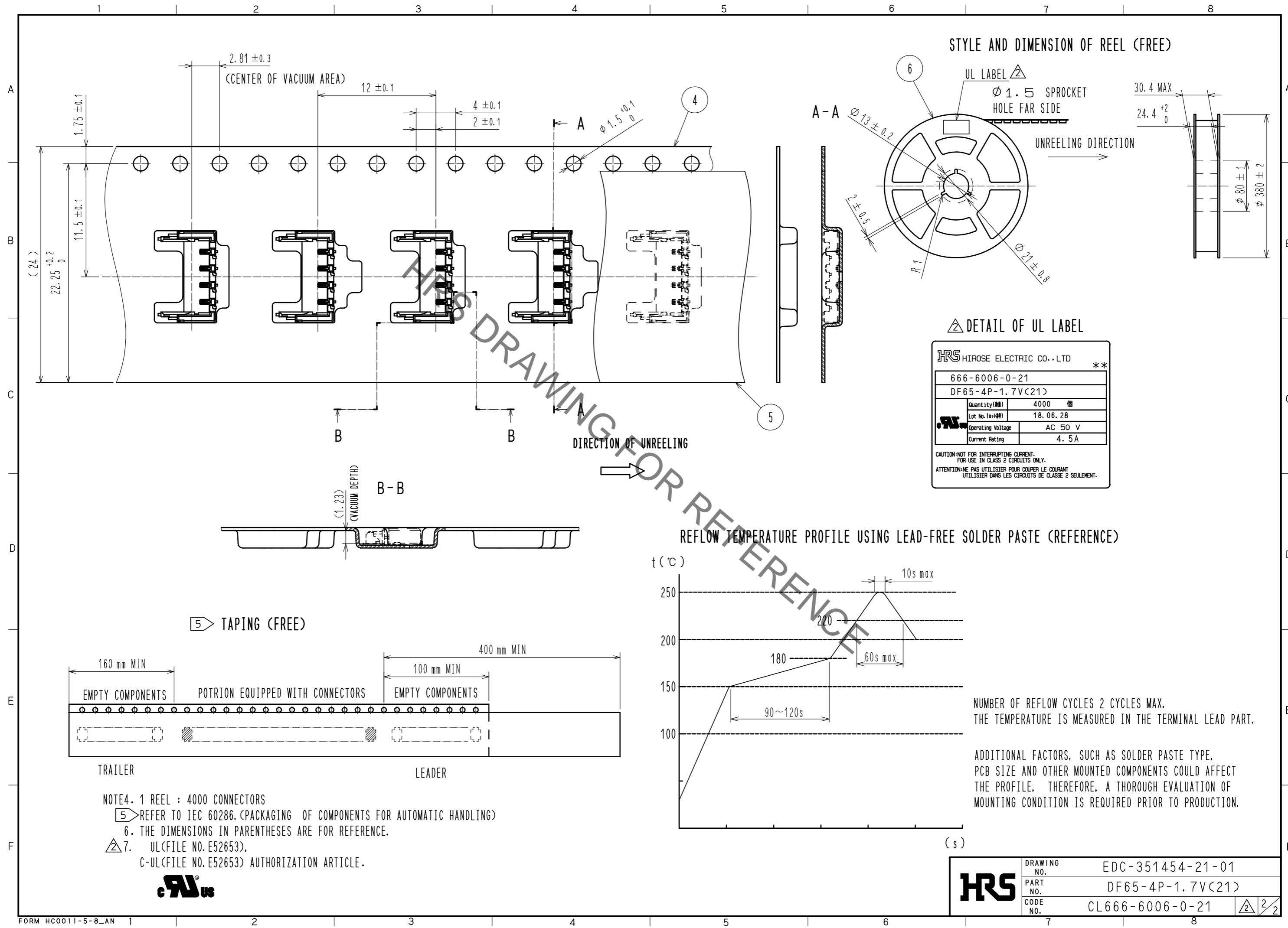


NO.	MATERIAL	FINISH .	REMARKS	NO.	MATERIAL	FINISH .	REMARKS
3	BRASS	SURFACE:TIN PLATING 1μmMIN UNDER PLATING:NICKEL PLATING 0.5μmMIN		6	PS		REEL. BLACK
2	BRASS	SURFACE:TIN PLATING 1μmMIN UNDER PLATING:NICKEL PLATING 0.5μmMIN		5	POLYESTER		CLEER(COVER TAPE)
1	LCP	UL94V-0. BLACK		4	PS		CLEER(CENBOSSED CARRIER TAPE)

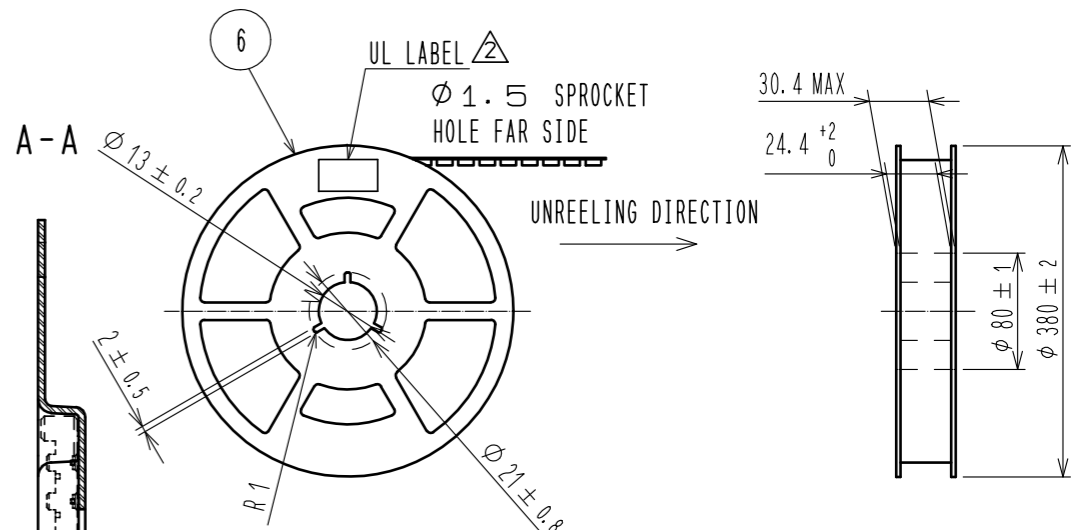
UNITS	SCALE	COUNT	DESCRIPTION OF REVISIONS	DESIGNED	CHECKED	DATE
mm	10:1	3	DIS-H-00004863	SN.MIWA	SZ.ONO	20190517

APPROVED	: KI. AKIYAMA	20140115	DRAWING NO.	EDC-351454-21-01	
CHECED	: OM. MIYAMOTO	20140115	PART NO.	DF65-4P-1.7V(21)	
DESIGNED	: TT. OHSAKO	20140114	CODE NO.	CL666-6006-0-21	
DRAWN	: TT. OHSAKO	20140114			

Jul.1.2019 Copyright 2019 HIROSE ELECTRIC CO., LTD. All Rights Reserved.
 In case of consideration for using Automotive equipment / device which demand high reliability, kindly contact our sales window correspondents.



STYLE AND DIMENSION OF REEL (FREE)

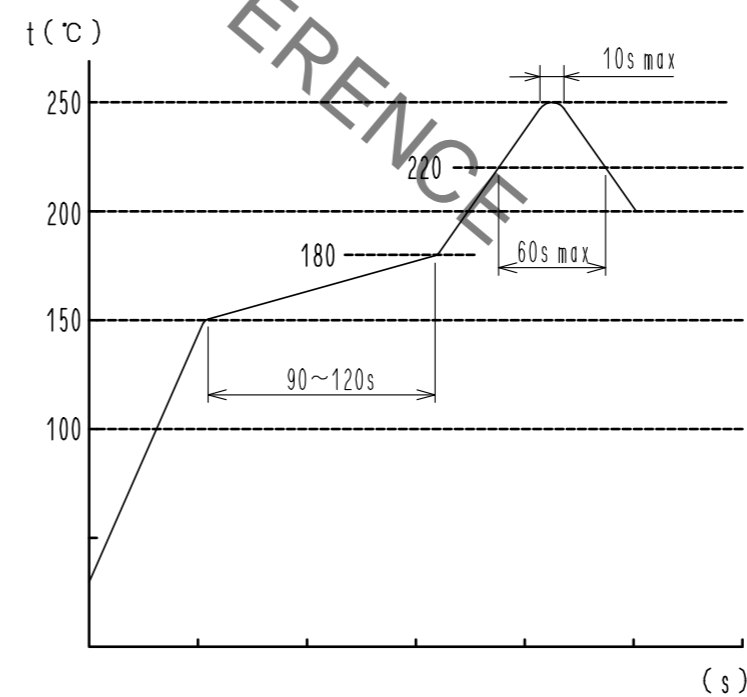


DETAIL OF UL LABEL

HRS HIROSE ELECTRIC CO., LTD	
666-6006-0-21	
DF65-4P-1.7V<21>	
Quantity(個)	4000 個
Lot No.(s+1#)	18.06.28
Operating Voltage	AC 50 V
Current Rating	4.5A

CAUTION-NOT FOR INTERRUPTING CURRENT.
 FOR USE IN CLASS 2 CIRCUITS ONLY.
 ATTENTION-NE PAS UTILISER POUR COUPER LE COURANT
 UTILISER DANS LES CIRCUITS DE CLASSE 2 SEULEMENT.

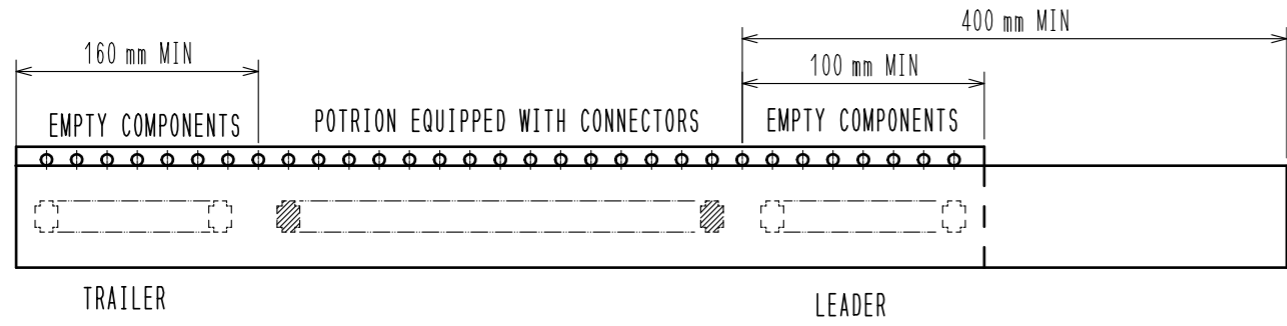
REFLOW TEMPERATURE PROFILE USING LEAD-FREE SOLDER PASTE (REFERENCE)



NUMBER OF REFLOW CYCLES 2 CYCLES MAX.
 THE TEMPERATURE IS MEASURED IN THE TERMINAL LEAD PART.

ADDITIONAL FACTORS, SUCH AS SOLDER PASTE TYPE,
 PCB SIZE AND OTHER MOUNTED COMPONENTS COULD AFFECT
 THE PROFILE, THEREFORE, A THOROUGH EVALUATION OF
 MOUNTING CONDITION IS REQUIRED PRIOR TO PRODUCTION.

TAPING (FREE)



- NOTE4. 1 REEL : 4000 CONNECTORS
- 5 REFER TO IEC 60286. (PACKAGING OF COMPONENTS FOR AUTOMATIC HANDLING)
- 6. THE DIMENSIONS IN PARENTHESES ARE FOR REFERENCE.
- 7. UL(FILE NO. E52653),
 C-UL(FILE NO. E52653) AUTHORIZATION ARTICLE.



HRS	DRAWING NO.	EDC-351454-21-01
	PART NO.	DF65-4P-1.7V<21>
	CODE NO.	CL666-6006-0-21