

4-Channel High-Voltage Protection T/R Switch

Features

- Up to $\pm 130\text{V}$ Input Voltage Protection
- Low On-Resistance – 15Ω Typical
- Fast Switching Speed
- Four Electrically Isolated Channels
- No External Supplies Needed

Applications

- Medical Ultrasound Imaging
- NDT Applications
- Fast Resettable Fuses
- High-Side Switches
- Data Acquisition

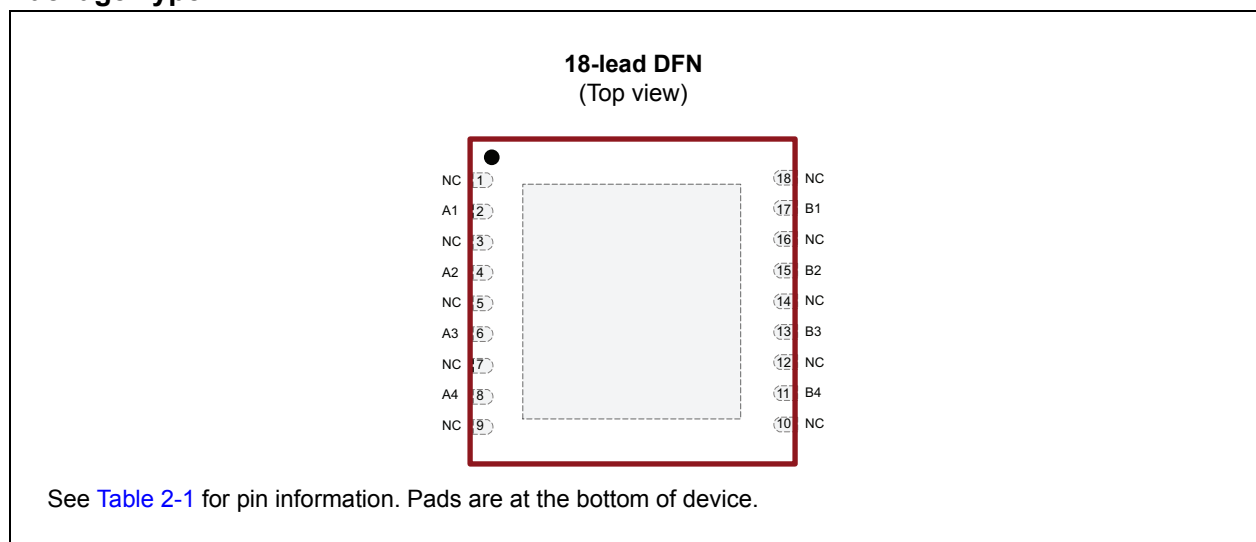
General Description

The MD0105 is a high-voltage current-limiting protection device. It is designed to protect a low-noise receiver from high-voltage transmit pulses in ultrasound applications. The MD0105 is commonly referred to as a T/R (transmit-and-receive) switch.

The device can be considered as a normally closed switch with a typical switching resistance of 15Ω that allows small signals to pass. Once the voltage drop across the two terminals exceeds a nominal value of $\pm 2\text{V}$, the device will turn off. In the OFF state, the MD0105 can withstand up to $\pm 130\text{V}$ across its terminals. A small amount of current (typically $200\ \mu\text{A}$) is allowed to flow through.

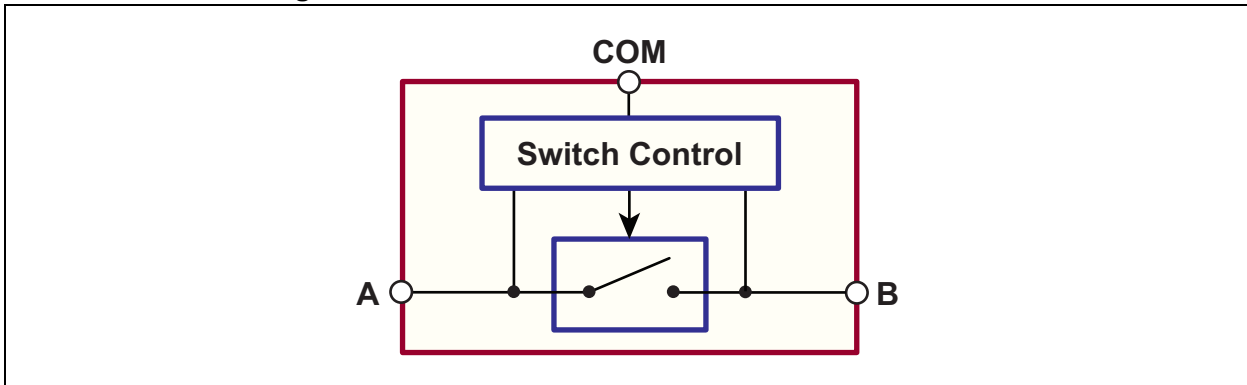
The MD0105 is not limited to just ultrasound applications. It can also be used as resettable fuses to protect power lines, for output short-circuit protection and to protect data acquisition instruments. The MD0105 is available in an 18-lead $5 \times 5\ \text{mm}$ DFN package as a 4-channel device.

Package Type

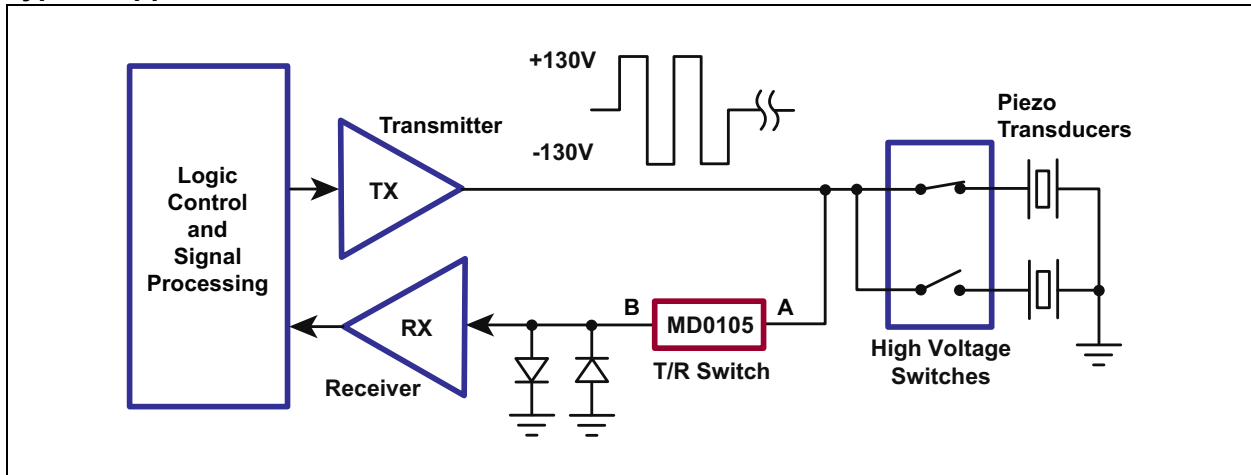


MD0105

Functional Block Diagram



Typical Application Circuit



MD0105

1.0 ELECTRICAL CHARACTERISTICS

Absolute Maximum Ratings†

Differential Voltage, V_{A-B}	0V to +140V
Maximum Junction Temperature, T_J	+125°C
Storage Temperature, T_S	-65°C to +150°C
Power Dissipation:	
18-lead DFN	1.6W

† **Notice:** Stresses above those listed under “Absolute Maximum Ratings” may cause permanent damage to the device. This is a stress rating only, and functional operation of the device at those or any other conditions above those indicated in the operational sections of this specification is not intended. Exposure to maximum rating conditions for extended periods may affect device reliability.

Note 1: Device is ESD sensitive. Handling precautions are recommended.

DC ELECTRICAL CHARACTERISTICS

Electrical Specifications: $T_J = 25^\circ\text{C}$ unless otherwise specified.

Parameter	Sym.	Min.	Typ.	Max.	Unit	Conditions
Maximum Differential Input Voltage from A to B	V_{A-B}	±130	—	—	V	$I_{A-B} = \pm 1 \text{ mA}$
Switch-On Resistance from A to B	R_{SW}	—	15	—	Ω	$I_{A-B} = \pm 5 \text{ mA}$
V_{A-B} Trip Point to Turn Off	V_{TRIP}	—	±1	±2	V	
Switch Turn-Off Voltage	V_{OFF}	—	±2	—	V	$I_{A-B} = \pm 1 \text{ mA}$
Switch-Off Current	$I_{A-B(OFF)}$	—	±200	±300	μA	$V_{A-B} = \pm 130\text{V}$

AC ELECTRICAL CHARACTERISTICS

Electrical Specifications: $T_J = 25^\circ\text{C}$ unless otherwise specified.

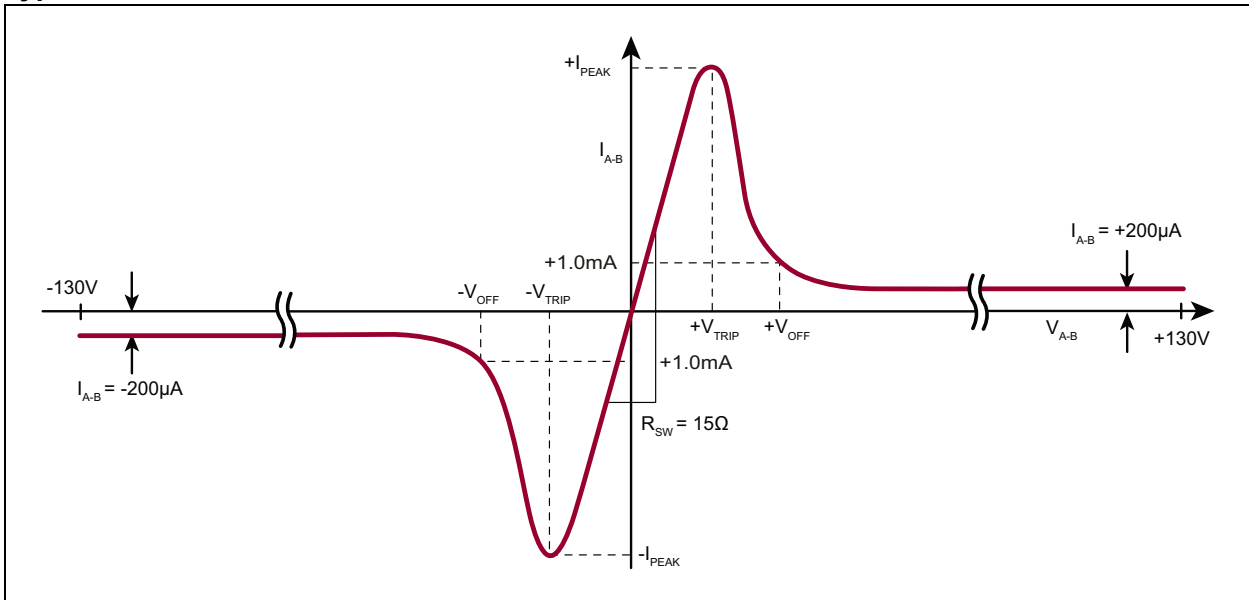
Parameter	Sym.	Min.	Typ.	Max.	Unit	Conditions
Peak Switching Current	I_{PEAK}	—	±60	—	mA	
Turn-Off Time	T_{OFF}	—	—	20	ns	
Turn-On Time	T_{ON}	—	—	20	ns	
Switch-On Capacitance from A to B	$C_{SW(ON)}$	—	21	—	pF	SW = ON
Switch-Off Capacitance from A to B	$C_{SW(OFF)}$	—	15	—	pF	$V_{SW} = 25\text{V}$
Small Signal Bandwidth	BW	—	100	—	MHz	$R_{LOAD} = 50\Omega$

TEMPERATURE SPECIFICATIONS

Parameter	Sym.	Min.	Typ.	Max.	Unit	Conditions
TEMPERATURE RANGE						
Operating Junction Temperature	T_J	-40	—	+125	°C	
Storage Temperature	T_S	-65	—	+150	°C	
PACKAGE THERMAL RESISTANCE						
18-lead DFN	θ_{JA}	—	40	—	°C/W	Note 1

Note 1: Mounted on an FR4 board, 25 mm x 25 mm x 1.57 mm

Typical I-V Characteristics



MD0105

2.0 PIN DESCRIPTION

Functional descriptions for the pins are listed in [Table 2-1](#). See [Package Type](#) for the location of pins.

TABLE 2-1: PIN FUNCTION TABLE

Pin Number	Pin Name	Description
1	NC	No internal connection
2	A1	Switch Terminal A1
3	NC	No internal connection
4	A2	Switch Terminal A2
5	NC	No internal connection
6	A3	Switch Terminal A3
7	NC	No internal connection
8	A4	Switch Terminal A4
9	NC	No internal connection
10	NC	No internal connection
11	B4	Switch Terminal B4
12	NC	No internal connection
13	B3	Switch Terminal B3
14	NC	No internal connection
15	B2	Switch Terminal B2
16	NC	No internal connection
17	B1	Switch Terminal B1
18	NC	No internal connection
Center Tab		Connect to ground

3.0 DETAILED DESCRIPTION

The MD0105 can be considered as a normally closed switch controlled by a built-in control circuit. (See [Functional Block Diagram](#).) The switch control circuit monitors the voltage drop across Terminals A and B. If the voltage difference is greater than $\pm 2V$, the T/R switch opens. Once in the Open state, there is a small amount of current flowing through the T/R switch (200 μA) to detect if the high voltage is still present. The T/R switch does not close until the voltage across Terminal A and Terminal B drops below $\pm 2V$. A pair of back-to-back diodes, from the receiver side of the switch to ground is needed to complete the circuit and allow the peak current (about 60 mA) to flow through the switch. If the diodes are not present, there is no current path and the voltage drop across Terminals A and B becomes less than $\pm 2V$. As a result, the switch remains in the closed position.

3.1 On Resistance

When the voltage across Terminals A and B is below $\pm 2V$, the switch is in Receive mode and the R_{ON} is typically 15 Ω . Once the voltage across Terminals A and B is greater than $\pm 2V$, the switch is in Transmit mode and prevents high-voltage pulses from passing through to the receiver.

3.2 Switch Capacitance

The typical switch-on capacitance, $C_{SW(ON)}$, is 21 pF. This is measured from Terminal A to Terminal B when the switch is turned on.

The switch-off capacitance is a function of the voltage across the T/R switch. The $C_{SW(OFF)}$ is about 12 pF to 19 pF for 10V to 130V of transmit voltage.

3.3 T_{ON} and T_{OFF} Time

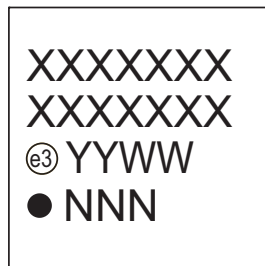
T_{ON} and T_{OFF} of the MD0105 are less than 20 ns, which provides a quick transition between Transmit Receive modes. The T_{ON} and T_{OFF} are proportional to the rise and fall times of the transmit pulses.

MD0105

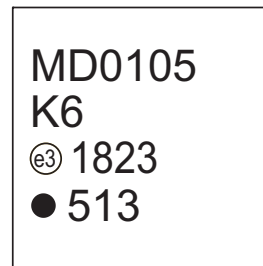
4.0 PACKAGING INFORMATION

4.1 Package Marking Information

18-lead DFN

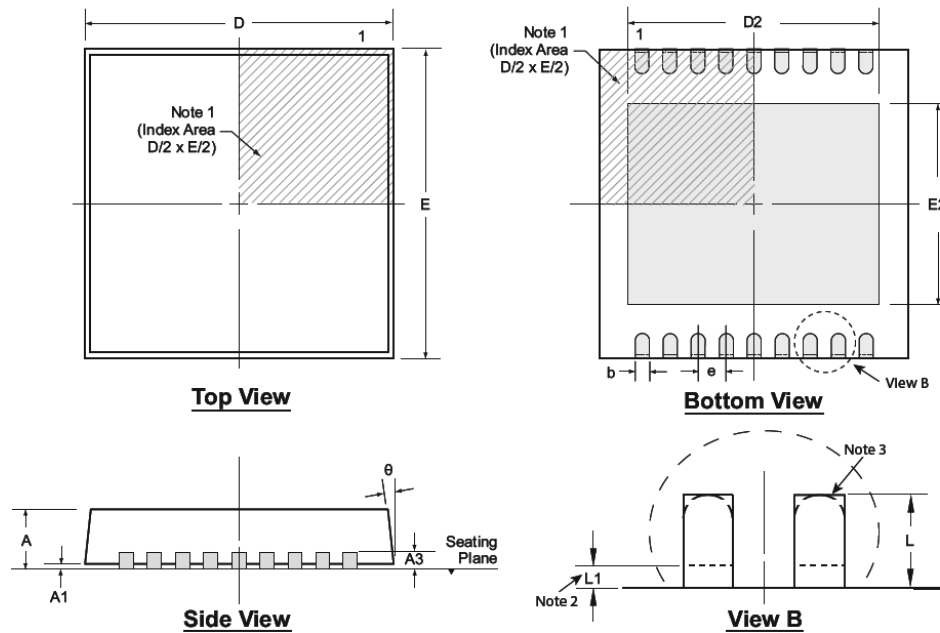


Example



Legend:	XX...X	Product Code or Customer-specific information
	Y	Year code (last digit of calendar year)
	YY	Year code (last 2 digits of calendar year)
	WW	Week code (week of January 1 is week '01')
	NNN	Alphanumeric traceability code
	ⓔ3	Pb-free JEDEC® designator for Matte Tin (Sn)
	*	This package is Pb-free. The Pb-free JEDEC designator (ⓔ3) can be found on the outer packaging for this package.
Note:	In the event the full Microchip part number cannot be marked on one line, it will be carried over to the next line, thus limiting the number of available characters for product code or customer-specific information. Package may or not include the corporate logo.	

18-Lead DFN Package Outline (K6) 5.00x5.00mm body, 1.00mm height (max), 0.50mm pitch



Note: For the most current package drawings, see the Microchip Packaging Specification at www.microchip.com/packaging.

Notes:

1. A Pin 1 identifier must be located in the index area indicated. The Pin 1 identifier can be: a molded mark/identifier, an embedded metal marker, or a printed indicator.
2. Depending on the method of manufacturing, a maximum of 0.15mm pullback (L1) may be present.
3. The inner tip of the lead may be either rounded or square.

Symbol	A	A1	A3	b	D	D2	E	E2	e	L	L1	θ	
Dimension (mm)	MIN	0.80	0.00	0.20 REF	0.18	4.85*	4.20 [†]	4.85*	3.50 [†]	0.50 BSC	0.30 [†]	0.00*	0°
	NOM	0.90	0.02		0.25	5.00	4.35 [†]	5.00	3.65 [†]		0.40 [†]	-	-
	MAX	1.00	0.05		0.30	5.15*	4.45 [†]	5.15*	3.75 [†]		0.50 [†]	0.15	14°

JEDEC Registration MO-229, Variation VJJD-2, Issue C, Aug 2003.

* This dimension is not specified in the JEDEC drawing.

† This dimension differs from the JEDEC drawing.

Drawings not to scale.

MD0105

NOTES:

APPENDIX A: REVISION HISTORY

Revision A (November 2018)

- Converted Supertex Doc# DSFP-MD0105 to Microchip DS20005739A
- Changed the package marking format
- Changed the quantity of the 18-lead DFN K6 M932 media type from 2500/Reel to 3300/Reel
- Made minor text changes throughout the document

MD0105

PRODUCT IDENTIFICATION SYSTEM

To order or obtain information, e.g., on pricing or delivery, contact your local Microchip representative or sales office.

<u>PART NO.</u>					
Device	Package Options	-	Environmental	-	Media Type
Device:	MD0105	=	4-Channel High-Voltage Protection T/R Switch		
Package:	K6	=	18-lead VDFN		
Environmental:	G	=	Lead (Pb)-free/RoHS-compliant Package		
Media Type:	(blank)	=	490/Tray for a K6 Package		
	M932	=	3300/Reel for a K6 Package		

Examples:

a) MD0105K6-G: 4-Channel High-Voltage Protection T/R Switch
18-lead VDFN, 490/Tray

b) MD0105K6-G-M932: 4-Channel High-Voltage Protection T/R Switch
18-lead VDFN, 3300/Reel

Note the following details of the code protection feature on Microchip devices:

- Microchip products meet the specification contained in their particular Microchip Data Sheet.
- Microchip believes that its family of products is one of the most secure families of its kind on the market today, when used in the intended manner and under normal conditions.
- There are dishonest and possibly illegal methods used to breach the code protection feature. All of these methods, to our knowledge, require using the Microchip products in a manner outside the operating specifications contained in Microchip's Data Sheets. Most likely, the person doing so is engaged in theft of intellectual property.
- Microchip is willing to work with the customer who is concerned about the integrity of their code.
- Neither Microchip nor any other semiconductor manufacturer can guarantee the security of their code. Code protection does not mean that we are guaranteeing the product as “unbreakable.”

Code protection is constantly evolving. We at Microchip are committed to continuously improving the code protection features of our products. Attempts to break Microchip's code protection feature may be a violation of the Digital Millennium Copyright Act. If such acts allow unauthorized access to your software or other copyrighted work, you may have a right to sue for relief under that Act.

Information contained in this publication regarding device applications and the like is provided only for your convenience and may be superseded by updates. It is your responsibility to ensure that your application meets with your specifications. MICROCHIP MAKES NO REPRESENTATIONS OR WARRANTIES OF ANY KIND WHETHER EXPRESS OR IMPLIED, WRITTEN OR ORAL, STATUTORY OR OTHERWISE, RELATED TO THE INFORMATION, INCLUDING BUT NOT LIMITED TO ITS CONDITION, QUALITY, PERFORMANCE, MERCHANTABILITY OR FITNESS FOR PURPOSE. Microchip disclaims all liability arising from this information and its use. Use of Microchip devices in life support and/or safety applications is entirely at the buyer's risk, and the buyer agrees to defend, indemnify and hold harmless Microchip from any and all damages, claims, suits, or expenses resulting from such use. No licenses are conveyed, implicitly or otherwise, under any Microchip intellectual property rights unless otherwise stated.

Microchip received ISO/TS-16949:2009 certification for its worldwide headquarters, design and wafer fabrication facilities in Chandler and Tempe, Arizona; Gresham, Oregon and design centers in California and India. The Company's quality system processes and procedures are for its PIC® MCUs and dsPIC® DSCs, KEELOQ® code hopping devices, Serial EEPROMs, microperipherals, nonvolatile memory and analog products. In addition, Microchip's quality system for the design and manufacture of development systems is ISO 9001:2000 certified.

**QUALITY MANAGEMENT SYSTEM
CERTIFIED BY DNV
= ISO/TS 16949 =**

Trademarks

The Microchip name and logo, the Microchip logo, AnyRate, AVR, AVR logo, AVR Freaks, BitCloud, chipKIT, chipKIT logo, CryptoMemory, CryptoRF, dsPIC, FlashFlex, flexPWR, Helder, JukeBlox, KeeLoq, Klear, LANCheck, LINK MD, maXStylus, maXTouch, MediaLB, megaAVR, MOST, MOST logo, MPLAB, OptoLyzer, PIC, picoPower, PICSTART, PIC32 logo, Prochip Designer, QTouch, SAM-BA, SpyNIC, SST, SST Logo, SuperFlash, tinyAVR, UNI/O, and XMEGA are registered trademarks of Microchip Technology Incorporated in the U.S.A. and other countries.

ClockWorks, The Embedded Control Solutions Company, EtherSynch, Hyper Speed Control, HyperLight Load, IntellIMOS, mTouch, Precision Edge, and Quiet-Wire are registered trademarks of Microchip Technology Incorporated in the U.S.A.

Adjacent Key Suppression, AKS, Analog-for-the-Digital Age, Any Capacitor, AnyIn, AnyOut, BodyCom, CodeGuard, CryptoAuthentication, CryptoAutomotive, CryptoCompanion, CryptoController, dsPICDEM, dsPICDEM.net, Dynamic Average Matching, DAM, ECAN, EtherGREEN, In-Circuit Serial Programming, ICSP, INICnet, Inter-Chip Connectivity, JitterBlocker, KlearNet, KlearNet logo, memBrain, Mindi, MiWi, motorBench, MPASM, MPF, MPLAB Certified logo, MPLIB, MPLINK, MultiTRAK, NetDetach, Omniscient Code Generation, PICDEM, PICDEM.net, PICKit, PICtail, PowerSmart, PureSilicon, QMatrix, REAL ICE, Ripple Blocker, SAM-ICE, Serial Quad I/O, SMART-I.S., SQI, SuperSwitcher, SuperSwitcher II, Total Endurance, TSHARC, USBCheck, VariSense, ViewSpan, WiperLock, Wireless DNA, and ZENA are trademarks of Microchip Technology Incorporated in the U.S.A. and other countries.

SQTP is a service mark of Microchip Technology Incorporated in the U.S.A.

Silicon Storage Technology is a registered trademark of Microchip Technology Inc. in other countries.

GestIC is a registered trademark of Microchip Technology Germany II GmbH & Co. KG, a subsidiary of Microchip Technology Inc., in other countries.

All other trademarks mentioned herein are property of their respective companies.

© 2018, Microchip Technology Incorporated, All Rights Reserved.
ISBN: 978-1-5224-3904-2



MICROCHIP

Worldwide Sales and Service

AMERICAS

Corporate Office
2355 West Chandler Blvd.
Chandler, AZ 85224-6199
Tel: 480-792-7200
Fax: 480-792-7277
Technical Support:
<http://www.microchip.com/support>
Web Address:
www.microchip.com

Atlanta

Duluth, GA
Tel: 678-957-9614
Fax: 678-957-1455

Austin, TX

Tel: 512-257-3370

Boston

Westborough, MA
Tel: 774-760-0087
Fax: 774-760-0088

Chicago

Itasca, IL
Tel: 630-285-0071
Fax: 630-285-0075

Dallas

Addison, TX
Tel: 972-818-7423
Fax: 972-818-2924

Detroit

Novi, MI
Tel: 248-848-4000

Houston, TX

Tel: 281-894-5983

Indianapolis

Noblesville, IN
Tel: 317-773-8323
Fax: 317-773-5453
Tel: 317-536-2380

Los Angeles

Mission Viejo, CA
Tel: 949-462-9523
Fax: 949-462-9608
Tel: 951-273-7800

Raleigh, NC

Tel: 919-844-7510

New York, NY

Tel: 631-435-6000

San Jose, CA

Tel: 408-735-9110
Tel: 408-436-4270

Canada - Toronto

Tel: 905-695-1980
Fax: 905-695-2078

ASIA/PACIFIC

Australia - Sydney
Tel: 61-2-9868-6733

China - Beijing
Tel: 86-10-8569-7000

China - Chengdu
Tel: 86-28-8665-5511

China - Chongqing
Tel: 86-23-8980-9588

China - Dongguan
Tel: 86-769-8702-9880

China - Guangzhou
Tel: 86-20-8755-8029

China - Hangzhou
Tel: 86-571-8792-8115

China - Hong Kong SAR
Tel: 852-2943-5100

China - Nanjing
Tel: 86-25-8473-2460

China - Qingdao
Tel: 86-532-8502-7355

China - Shanghai
Tel: 86-21-3326-8000

China - Shenyang
Tel: 86-24-2334-2829

China - Shenzhen
Tel: 86-755-8864-2200

China - Suzhou
Tel: 86-186-6233-1526

China - Wuhan
Tel: 86-27-5980-5300

China - Xian
Tel: 86-29-8833-7252

China - Xiamen
Tel: 86-592-2388138

China - Zhuhai
Tel: 86-756-3210040

ASIA/PACIFIC

India - Bangalore
Tel: 91-80-3090-4444

India - New Delhi
Tel: 91-11-4160-8631

India - Pune
Tel: 91-20-4121-0141

Japan - Osaka
Tel: 81-6-6152-7160

Japan - Tokyo
Tel: 81-3-6880-3770

Korea - Daegu
Tel: 82-53-744-4301

Korea - Seoul
Tel: 82-2-554-7200

Malaysia - Kuala Lumpur
Tel: 60-3-7651-7906

Malaysia - Penang
Tel: 60-4-227-8870

Philippines - Manila
Tel: 63-2-634-9065

Singapore
Tel: 65-6334-8870

Taiwan - Hsin Chu
Tel: 886-3-577-8366

Taiwan - Kaohsiung
Tel: 886-7-213-7830

Taiwan - Taipei
Tel: 886-2-2508-8600

Thailand - Bangkok
Tel: 66-2-694-1351

Vietnam - Ho Chi Minh
Tel: 84-28-5448-2100

EUROPE

Austria - Wels
Tel: 43-7242-2244-39
Fax: 43-7242-2244-393

Denmark - Copenhagen
Tel: 45-4450-2828
Fax: 45-4485-2829

Finland - Espoo
Tel: 358-9-4520-820

France - Paris
Tel: 33-1-69-53-63-20
Fax: 33-1-69-30-90-79

Germany - Garching
Tel: 49-8931-9700

Germany - Haan
Tel: 49-2129-3766400

Germany - Heilbronn
Tel: 49-7131-67-3636

Germany - Karlsruhe
Tel: 49-721-625370

Germany - Munich
Tel: 49-89-627-144-0
Fax: 49-89-627-144-44

Germany - Rosenheim
Tel: 49-8031-354-560

Israel - Ra'anana
Tel: 972-9-744-7705

Italy - Milan
Tel: 39-0331-742611
Fax: 39-0331-466781

Italy - Padova
Tel: 39-049-7625286

Netherlands - Drunen
Tel: 31-416-690399
Fax: 31-416-690340

Norway - Trondheim
Tel: 47-7288-4388

Poland - Warsaw
Tel: 48-22-3325737

Romania - Bucharest
Tel: 40-21-407-87-50

Spain - Madrid
Tel: 34-91-708-08-90
Fax: 34-91-708-08-91

Sweden - Gothenberg
Tel: 46-31-704-60-40

Sweden - Stockholm
Tel: 46-8-5090-4654

UK - Wokingham
Tel: 44-118-921-5800
Fax: 44-118-921-5820