

DIR9001 96-kHz, 24-Bit Digital Audio Interface Receiver

1 Features

- One-Chip Digital Audio Interface Receiver (DIR) Including Low-Jitter Clock-Recovery System
- Compliant With Digital Audio Interface Standards: IEC60958 (former IEC958), JEITA CPR-1205 (former EIAJ CP-1201, CP-340), AES3, EBU tech3250
- Clock Recovery and Data Decode From Biphasic Input Signal, Generally Called S/PDIF, EIAJ CP-1201, IEC60958, AES/EBU
- Biphasic Input Signal Sampling Frequency (f_s) Range: 28 kHz to 108 kHz
- Low-Jitter Recovered System Clock: 50 ps
- Jitter Tolerance Compliant With IEC60958-3
- Selectable Recovered System Clock: 128 f_s , 256 f_s , 384 f_s , 512 f_s
- Serial Audio Data Output Formats: 24-Bit I²S; MSB-First, 24-Bit Left-Justified; MSB-First 16-, 24-Bit Right-Justified
- User Data, Channel-Status Data Outputs Synchronized With Decoded Serial Audio Data
- No External Clock Required for Decode
- Includes Actual Sampling Frequency Calculator (Needs External 24.576-MHz Clock)
- Function Control: Parallel (Hardware)
- Functions Similar and Pin Assignments Equivalent to Those of DIR1703
- Single Power Supply: 3.3 V (2.7 V to 3.6 V)
- Wide Operating Temperature Range: -40°C to 85°C
- 5 V-Tolerant Digital Inputs
- Package: 28-pin TSSOP, Pin Pitch: 0,65 mm

2 Applications

- AV/DVD Receiver, AV Amplifier
- Car or Mobile Audio System
- Digital Television
- Musical Instruments
- Recording Systems
- High-End Audio/Sound Card for PC
- Replacement of DIR1703
- Other Applications Requiring S/PDIF Receiver

3 Description

The DIR9001 is a digital audio interface receiver that can receive a 28-kHz to 108-kHz sampling-frequency, 24-bit-data-word, biphasic-encoded signal. The DIR9001 complies with IEC60958-3, JEITA CPR-1205 (Revised version of EIAJ CP-1201), AES3, EBUtech3250, and it can be used in various applications that require a digital audio interface.

The DIR9001 supports many output system clock and output data formats and can be used flexibly in many application systems. As the all functions which the DIR9001 provides can be controlled directly through control pins, it can be used easily in an application system that does not have a microcontroller. Also, as dedicated pins are provided for the channel-status bit and user-data bit, processing of their information can be easily accomplished by connecting with a microcontroller, DSP, or others.

The DIR9001 does not require an external clock source or resonator for decode operation if the internal actual-sampling-frequency calculator is not used. Therefore, it is possible to reduce the cost of a system.

The operating temperature range of the DIR9001 is specified as -40°C to 85°C , which makes it suitable for automotive applications.

Device Information

| PART NUMBER | PACKAGE | BODY SIZE (NOM) |
|-------------|------------|-------------------|
| DIR9001 | TSSOP (28) | 4.40 mm x 9.70 mm |

(1) For all available packages, see the orderable addendum at the end of the data sheet.

Block Diagram

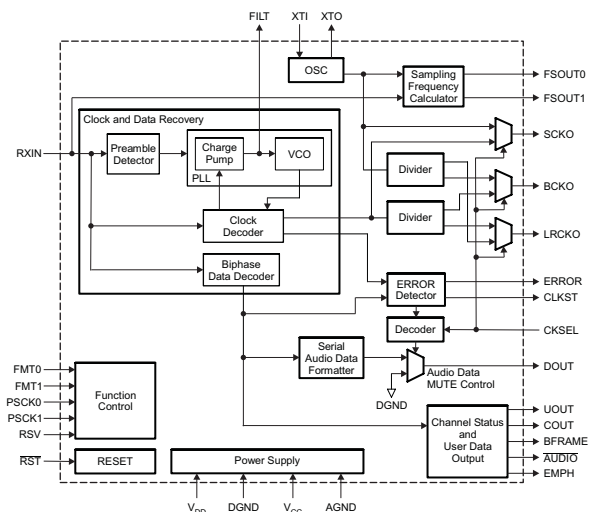


Table of Contents

| | |
|---|--|
| 1 Features 1 2 Applications 1 3 Description 1 4 Revision History 2 5 Device Comparison Table 3 5.1 Differences From DIR1703 3 6 Pin Configuration and Functions 4 7 Specifications 6 7.1 Absolute Maximum Ratings 6 7.2 ESD Ratings 6 7.3 Recommended Operating Conditions 6 7.4 Thermal Information 7 7.5 Electrical Characteristics 7 7.6 Timing Requirements 8 7.7 Switching Characteristics 9 7.8 Typical Characteristics 10 8 Detailed Description 11 8.1 Overview 11 | 8.2 Functional Block Diagram 11 8.3 Feature Description 12 8.4 Device Functional Modes 20 8.5 Programming 23 9 Application and Information 26 9.1 Application Information 26 9.2 Typical Application 27 10 Power Supply Recommendations 29 11 Layout 29 11.1 Layout Guidelines 29 11.2 Layout Example 30 12 Device and Document Support 31 12.1 Community Resources 31 12.2 Trademarks 31 12.3 Electrostatic Discharge Caution 31 12.4 Glossary 31 13 Mechanical, Packaging, and Orderable Information 31 |
|---|--|

4 Revision History

| Changes from Original (Dec 2006) to Revision A | Page |
|---|------|
| <ul style="list-style-type: none"> • Added <i>Pin Configuration and Functions</i> section, <i>ESD Ratings</i> table, <i>Feature Description</i> section, <i>Device Functional Modes</i>, <i>Application and Implementation</i> section, <i>Power Supply Recommendations</i> section, <i>Layout</i> section, <i>Device and Documentation Support</i> section, and <i>Mechanical, Packaging, and Orderable Information</i> section 1 | 1 |

5 Device Comparison Table

5.1 Differences From DIR1703

The DIR9001 has many improved functions compared to the DIR1703.

The DIR9001 functions are similar to those of the DIR1703.

The DIR9001 pin assignment is equivalent to that of the DIR1703.

The DIR9001 biphasic input signal decoding function is almost equivalent to that of the DIR1703.

The differences between the DIR9001 and DIR1703 are shown in [Table 1](#).

Table 1. Main Differences Between DIR1703 and DIR9001

| DIFFERENCE | DIR1703 | DIR9001 |
|--------------------------------------|--|--|
| Operational supply-voltage range | 3 V to 3.6 V | 2.7 V to 3.6 V |
| Operation temperature range | –25°C to 85°C | –40°C to 85°C |
| Package | SSOP-28P, pin pitch: 0.65 mm | TSSOP-28P, pin pitch: 0.65 mm |
| Clock recovery architecture | SpAct™ feature | Conventional PLL |
| IEC60958-3 jitter tolerance | Not compliant | Compliant |
| IEC60958 sampling frequency accuracy | Level II (± 1000 ppm) | Level III ($\pm 12.5\%$) |
| Acceptable sampling frequency | 32/44.1/48/88.2/96 kHz, ± 1500 ppm | 28 kHz to 108 kHz continuous |
| Biphase input signal level | CMOS level | 5-V tolerant TTL level |
| Connection of loop filter | Between FILT pin and VCC | Between FILT pin and AGND |
| XTI source clock frequency | One of the following clock sources or resonators must be connected to the XTI pin: 4.069/5.6448/6.144/ 8.192/11.2896/12.288/ 16.384/16.9344/18.432/ 22.5792/24.576-MHz | Optional 24.576-MHz (24.576-MHz clock is only required to use the internal actual-sampling-frequency calculator or use the DIR9001 as a 24.576-MHz clock generator.) |
| BFRAME H period | $32/f_S$ | $8/f_S$ |
| Channel status and user data | Synchronous with LRCK transition | 17-BCK delay from LRCK transition |
| Latest tracked frequency hold | Available | Not available |
| PLL mode clock at error | Latest tracked frequency | VCO free-running frequency |
| Clock transition signal out | CKTRNS pin, active H | CLKST pin, active-high |
| Oscillation amplifier | External feedback resistor (typ. 1 M Ω) | Internal feedback resistor |

The differences between the DIR1703 and DIR9001 I/O pins are shown in [Table 2](#).

Table 2. The Differences Between DIR1703 and DIR9001 in All I/O Pin

| PIN NO. | DIR1703 | DIR9001 | DIFFERENCES | DESCRIPTIONS OF DIR9001 |
|---------|-----------------|-----------------|----------------------|--|
| 1 | ADFLG | AUDIO | Pin name only | Channel-status data information of non-audio sample word, active-low |
| 2 | BRATE0 | FSOUT0 | Pin name only | Actual-sampling-frequency calculated result output 0 |
| 3 | BRATE1 | FSOUT1 | Pin name only | Actual-sampling-frequency calculated result output 1 |
| 4 | SCKO | SCKO | Same function | System clock output |
| 5 | V _{DD} | V _{DD} | Same function | Digital power supply, 3.3-V |
| 6 | DGND | DGND | Same function | Digital ground |
| 7 | XTO | XTO | Same function | Oscillation amplifier output |
| 8 | XTI | XTI | Same function | Oscillation amplifier input, or external XTI source clock input |
| 9 | CKTRNS | CLKST | CLKST is active-high | Clock change/transition signal output |
| 10 | LRCKO | LRCKO | Same function | Audio data latch enable output |
| 11 | BCKO | BCKO | Same function | Audio data bit clock output |
| 12 | DOUT | DOUT | Same function | 16 bit–24 bit decoded serial digital audio data output |
| 13 | SCF0 | PSCK0 | Pin name only | SCKO output frequency selection 0 |
| 14 | SCF1 | PSCK1 | Pin name only | SCKO output frequency selection 1 |
| 15 | CSBIT | COUT | Pin name only | Channel-status data serial output synchronized with LRCKO |

Table 2. The Differences Between DIR1703 and DIR9001 in All I/O Pin (continued)

| PIN NO. | DIR1703 | DIR9001 | DIFFERENCES | DESCRIPTIONS OF DIR9001 |
|---------|-------------------------|-------------------------|---------------|--|
| 16 | URBIT | UOUT | Pin name only | User data serial output synchronized with LRCKO |
| 17 | EMFLG | EMPH | Pin name only | Channel-status data Information of pre-emphasis (50 μs/15 μs) |
| 18 | BFRAME | BFRAME | Same function | Indication of top block of biphas input signal |
| 19 | BRSEL | RSV | Reserved | Reserved, must be connected to DGND |
| 20 | DIN | RXIN | Pin name only | Biphase digital data input |
| 21 | $\overline{\text{RST}}$ | $\overline{\text{RST}}$ | Same function | Reset control input, active-low |
| 22 | FILT | FILT | Same function | External filter connection terminal. Recommended filter must be connected. |
| 23 | AGND | AGND | Same function | Analog ground |
| 24 | V _{CC} | V _{CC} | Same function | Analog power supply, 3.3-V |
| 25 | FMT0 | FMT0 | Same function | Decoded serial digital audio data output format selection 0 |
| 26 | FMT1 | FMT1 | Same function | Decoded serial digital audio data output format selection 1 |
| 27 | UNLOCK | ERROR | Pin name only | Indication of internal PLL or data parity error |
| 28 | CKSEL | CKSEL | Same function | Selection of system clock source, Low: PLL (VCO) clock, High: XTI clock |

6 Pin Configuration and Functions

DIR9001
(TOP VIEW)



Pin Functions

| PIN | | I/O | PULL UP/DOWN | REMARKS | DESCRIPTION |
|---------------------------|-----|-----|-----------------|-------------------------|--|
| NAME | NO. | | | | |
| AGND | 23 | – | | | Analog ground |
| $\overline{\text{AUDIO}}$ | 1 | OUT | | CMOS | Channel-status data information of non-audio sample word, active-low |
| BCKO | 11 | OUT | | CMOS | Audio data bit clock output |
| BFRAME | 18 | OUT | | CMOS | Indication of top block of biphasic input signal |
| CKSEL | 28 | IN | Pulldown | 5-V tolerant TTL | Selection of system clock source, Low: PLL (VCO) clock, High: XTI clock ⁽¹⁾ |
| CLKST | 9 | OUT | | CMOS | Clock change/transition signal output |
| COUT | 15 | OUT | | CMOS | Channel-status data serial output synchronized with LRCKO |
| DGND | 6 | – | | | Digital ground |
| DOUT | 12 | OUT | | CMOS | 16-bit/24-bit decoded serial digital audio data output |
| EMPH | 17 | OUT | | CMOS | Channel-status data information of pre-emphasis (50 μ s/15 μ s) |
| ERROR | 27 | OUT | | CMOS | Indication of internal PLL or data parity error |
| FILT | 22 | – | | | External filter connection terminal; must connect recommended filter. |
| FMT0 | 25 | IN | Pulldown | 5-V tolerant TTL | Decoded serial digital audio data output format selection 0 ⁽¹⁾ |
| FMT1 | 26 | IN | Pulldown | 5-V tolerant TTL | Decoded serial digital audio data output format selection 1 ⁽¹⁾ |
| FSOUT0 | 2 | OUT | | CMOS | Actual sampling frequency calculated result output 0 |
| FSOUT1 | 3 | OUT | | CMOS | Actual sampling frequency calculated result output 1 |
| LRCKO | 10 | OUT | | CMOS | Audio data latch enable output |
| PSCK0 | 13 | IN | Pulldown | 5-V tolerant TTL | PLL source SCKO output frequency selection 0 ⁽¹⁾ |
| PSCK1 | 14 | IN | Pulldown | 5-V tolerant TTL | PLL source SCKO output frequency selection 1 ⁽¹⁾ |
| $\overline{\text{RST}}$ | 21 | IN | Pullup | 5-V tolerant TTL | Reset control input, active-low ⁽²⁾ |
| RSV | 19 | IN | Pulldown | | Reserved, must be connected to DGND ⁽¹⁾ |
| RXIN | 20 | IN | | 5-V tolerant TTL | Biphase digital data input ⁽³⁾ |
| SCKO | 4 | OUT | | CMOS | System clock output |
| UOUT | 16 | OUT | | CMOS | User data serial output synchronized with LRCKO |
| V _{CC} | 24 | – | | | Analog power supply, 3.3-V |
| V _{DD} | 5 | – | | | Digital power supply, 3.3-V |
| XTI | 8 | IN | | CMOS Schmitt-trigger | Oscillation amplifier input, or external XTI source clock input |
| XTO | 7 | OUT | | CMOS | Oscillation amplifier output |

(1) TTL Schmitt-trigger input with internal pulldown (51 k Ω typical), 5-V tolerant

(2) TTL Schmitt-trigger input with internal pullup (51 k Ω typical), 5-V tolerant

(3) TTL Schmitt-trigger input, 5-V tolerant.

7 Specifications

7.1 Absolute Maximum Ratings

 over operating free-air temperature range (unless otherwise noted) ⁽¹⁾

| | | MIN | MAX | UNIT |
|--|----------------------------|------|-----------------------------|------|
| V _{CC} | Supply voltage | −0.3 | 4 | V |
| V _{DD} | | | | |
| V _{CC} to V _{DD} | Supply voltage differences | −0.1 | 0.1 | V |
| AGND to DGND | Ground voltage differences | −0.1 | 0.1 | V |
| Digital input voltage | Digital input | −0.3 | 6.5 | V |
| | Digital output | −0.3 | (V _{DD} + 0.3) < 4 | |
| Analog input voltage | XTI, XTO | −0.3 | (V _{CC} + 0.3) < 4 | V |
| | FILT | −0.3 | (V _{CC} + 0.3) < 4 | |
| Input current (any pins except supplies) | | −10 | 10 | mA |
| Ambient temperature under bias | | −40 | 125 | °C |
| Junction temperature | | | 150 | °C |
| Lead temperature (soldering) | | | 260 | °C |
| Package temperature (reflow, peak) | | | 260 | °C |
| T _{stg} | Storage temperature | −55 | 150 | °C |

(1) Stresses beyond those listed under *Absolute Maximum Ratings* may cause permanent damage to the device. These are stress ratings only and functional operation of the device at these or any other conditions beyond those indicated under *recommended operating conditions* is not implied. Exposure to absolute-maximum-rated conditions for extended periods may affect device reliability.

7.2 ESD Ratings

| | | VALUE | UNIT |
|--------------------|-------------------------|--|------|
| V _(ESD) | Electrostatic discharge | Human body model (HBM), per ANSI/ESDA/JEDEC JS-001 ⁽¹⁾ | ±500 |
| | | Charged-device model (CDM), per JEDEC specification JESD22-C101 ⁽²⁾ | ±250 |

(1) JEDEC document JEP155 states that 500-V HBM allows safe manufacturing with a standard ESD control process.

(2) JEDEC document JEP157 states that 250-V CDM allows safe manufacturing with a standard ESD control process.

7.3 Recommended Operating Conditions

over operating free-air temperature range (unless otherwise noted)

| | | MIN | NOM | MAX | UNIT |
|--|----------------------------------|--------------|-----|-----|------|
| V _{CC} | Analog supply voltage | 2.7 | 3.3 | 3.6 | VDC |
| V _{DD} | Digital supply voltage | 2.7 | 3.3 | 3.6 | VDC |
| Digital input clock frequency | XTI is connected to clock source | 24.576 | | MHz | |
| | XTI is connected to DGND | Not required | | MHz | |
| Digital output load capacitance, except SCKO | | 20 | | pF | |
| Digital output load capacitance (SCKO) | | 10 | | pF | |
| T _A | Operating free-air temperature | −40 | 85 | °C | |

7.4 Thermal Information

| THERMAL METRIC ⁽¹⁾ | | DR9001 | |
|-------------------------------|--|------------|------|
| | | TSSOP (PW) | UNIT |
| | | 28 PINS | |
| R _{θJA} | Junction-to-ambient thermal resistance | 81.9 | °C/W |
| R _{θJC(top)} | Junction-to-case (top) thermal resistance | 22.5 | °C/W |
| R _{θJB} | Junction-to-board thermal resistance | 40 | °C/W |
| ψ _{JT} | Junction-to-top characterization parameter | 0.7 | °C/W |
| ψ _{JB} | Junction-to-board characterization parameter | 39.4 | °C/W |

(1) For more information about traditional and new thermal metrics, see the *IC Package Thermal Metrics* application report, [SPRA953](#).

7.5 Electrical Characteristics

All specifications at T_A = 25°C, V_{DD} = V_{CC} = 3.3 V (unless otherwise noted)

| PARAMETER | | TEST CONDITIONS | MIN | TYP | MAX | UNIT |
|---|--------------------------------------|--|----------------------|-----|----------------------|--------|
| DIGITAL INPUT/OUTPUT CHARACTERISTICS | | | | | | |
| V _{IH} | Input logic level ⁽¹⁾ | | 0.7 V _{DD} | | V _{DD} | VDC |
| V _{IL} | | | | | 0.3 V _{DD} | |
| V _{IH} | Input logic level ⁽²⁾ | | 2 | | 5.5 | VDC |
| V _{IL} | | | | | 0.8 | |
| V _{OH} | Output logic level ⁽³⁾ | I _O = 4 mA | 0.85 V _{DD} | | | VDC |
| V _{OL} | | I _O = -4 mA | | | 0.15 V _{DD} | |
| I _{IH} | Input leakage current ⁽⁴⁾ | V _{IN} = V _{DD} | | 65 | 100 | μA |
| I _{IL} | | V _{IN} = 0 V | -10 | | 10 | |
| I _{IH} | Input leakage current ⁽⁵⁾ | V _{IN} = V _{DD} | -10 | | 10 | μA |
| I _{IL} | | V _{IN} = 0 V | -100 | -65 | | |
| I _{IH} | Input leakage current ⁽⁶⁾ | V _{IN} = V _{DD} | -10 | | 10 | μA |
| I _{IL} | | V _{IN} = 0 V | -10 | | 10 | |
| BIPHASE SIGNAL INPUT AND PLL | | | | | | |
| Jitter tolerance — (IEC60958-3) | | IEC60958-3 (2003-01) | Compliant | | | |
| RECOVERED CLOCK AND DATA | | | | | | |
| Serial audio data width | | | 16 | | 24 | Bit |
| SCKO jitter | | f _S = 48 kHz, SCKO = 256 f _S , measured periodic | | 50 | 100 | ps rms |
| XTI SOURCE CLOCK | | | | | | |
| Frequency accuracy | | XTI is connected to clock source | -100 | | 100 | ppm |
| POWER SUPPLY AND SUPPLY CURRENT | | | | | | |
| V _{CC} | Operation voltage range | | 2.7 | 3.3 | 3.6 | VDC |
| V _{DD} | | | 2.7 | 3.3 | 3.6 | |
| I _{CC} | Supply current ⁽⁷⁾ | f _S = 96 kHz, PLL locked, XTI connected to DGND | | 6 | 8.3 | mA |
| | | f _S = 96 kHz, PLL locked, XTI connected to 24.576-MHz resonator | | 6 | 8.3 | mA |
| | | RXIN = H or L, XTI = L, $\overline{\text{RST}}$ = L | | 130 | | μA |

(1) CMOS compatible input: XTI (not 5-V tolerant)

(2) 5-V tolerant TTL inputs: RXIN, FMT0, FMT1, PSCK0, PSCK1, CKSEL, $\overline{\text{RST}}$, RSV

(3) CMOS outputs: XTO, SCKO, BCKO, LRCKO, DOUT, UOUT, COUT, BFRAME, ERROR, CLKST, $\overline{\text{AUDIO}}$, EMPH, FSOUT0, FSOUT1

(4) Internal pulldowns: FMT0, FMT1, PSCK0, PSCK1, CKSEL, RSV

(5) Internal pullup: $\overline{\text{RST}}$

(6) No internal pullup and pulldown: RXIN, XTI

(7) No load connected to SCKO, BCKO, LRCKO, DOUT, COUT, VOUT, BFRAME, FSOUT0, FSOUT1, CLKST, ERROR, EMPH, $\overline{\text{AUDIO}}$

Electrical Characteristics (continued)

 All specifications at $T_A = 25^\circ\text{C}$, $V_{DD} = V_{CC} = 3.3\text{ V}$ (unless otherwise noted)

| PARAMETER | | TEST CONDITIONS | MIN | TYP | MAX | UNIT |
|--------------------------|----------------------------------|---|-----|------|------|--------------------|
| I_{DD} | Supply current ⁽⁷⁾ | $f_S = 96\text{ kHz}$, PLL locked, XTI connected to DGND | | 6 | 8.3 | mA |
| | | $f_S = 96\text{ kHz}$, PLL locked, XTI connected to 24.576-MHz resonator | | 9 | 12.4 | mA |
| | | RXIN = H or L, XTI = L, $\overline{\text{RST}} = \text{L}$ | | 72 | | μA |
| P_D | Power dissipation ⁽⁷⁾ | $f_S = 96\text{ kHz}$, PLL locked, XTI connected to DGND | | 40 | 55 | mW |
| | | $f_S = 96\text{ kHz}$, PLL locked, XTI connected to 24.576-MHz resonator | | 50 | 68 | mW |
| | | RXIN = H or L, XTI = L, $\overline{\text{RST}} = \text{L}$ | | 0.67 | | mW |
| TEMPERATURE RANGE | | | | | | |
| T_A | Operation temperature range | | -40 | | 85 | $^\circ\text{C}$ |
| θ_{JA} | Thermal resistance | 28-pin T-SSOP | | 105 | | $^\circ\text{C/W}$ |

7.6 Timing Requirements

 All specifications at $T_A = 25^\circ\text{C}$, $V_{DD} = V_{CC} = 3.3\text{ V}$ (unless otherwise noted)

| | | MIN | NOM | MAX | UNIT |
|-------------------------------------|--|-------------------------------|-----|---------|---------------|
| BIPHASE SIGNAL INPUT AND PLL | | | | | |
| Input sampling frequency range | | 28 | | 108 | kHz |
| XTI SOURCE CLOCK | | | | | |
| XTI source clock frequency | XTI is connected to clock source | 24.576 | | | MHz |
| | XTI is connected to DGND | Not required | | | |
| XTI input-clock duty cycle | XTI is connected to clock source | 45% | | 55% | |
| CLKST | | | | | |
| t_{CLKST} | CLKST pulse duration, high | 4 | | 20 | μs |
| LATENCY | | | | | |
| t_{LATE} | LRCKO/DOUT latency | See Figure 14 | | $3/f_S$ | s |
| DATA OUTPUT⁽¹⁾ | | | | | |
| t_{SCY} | System clock pulse cycle time | 18 | | | ns |
| t_{SCBC} | Delay time of SCK rising edge to BCK rising edge | 4 | 8 | 15 | ns |
| t_{CKLR} | Delay time of BCKO falling edge to LRCKO valid | -5 0.5 0.5 | | | ns |
| t_{BCY} | BCKO pulse cycle time | $1/64f_S$ | | | s |
| t_{BCH} | BCKO pulse duration, HIGH | 60 | | | ns |
| t_{BCL} | BCKO pulse duration, LOW | 60 | | | ns |
| t_{BCDO} | Delay time of BCKO falling edge to DOUT valid | -5 | 1 | 5 | ns |
| t_r | Rising time of all signals | | | | 10 ns |
| t_f | Falling time of all signals | | | | 10 ns |

(1) Load capacitance of the LRCKO, BCKO, and DOUT pins is 20 pF. DOUT, LRCKO, and BCKO are synchronized with SCKO.

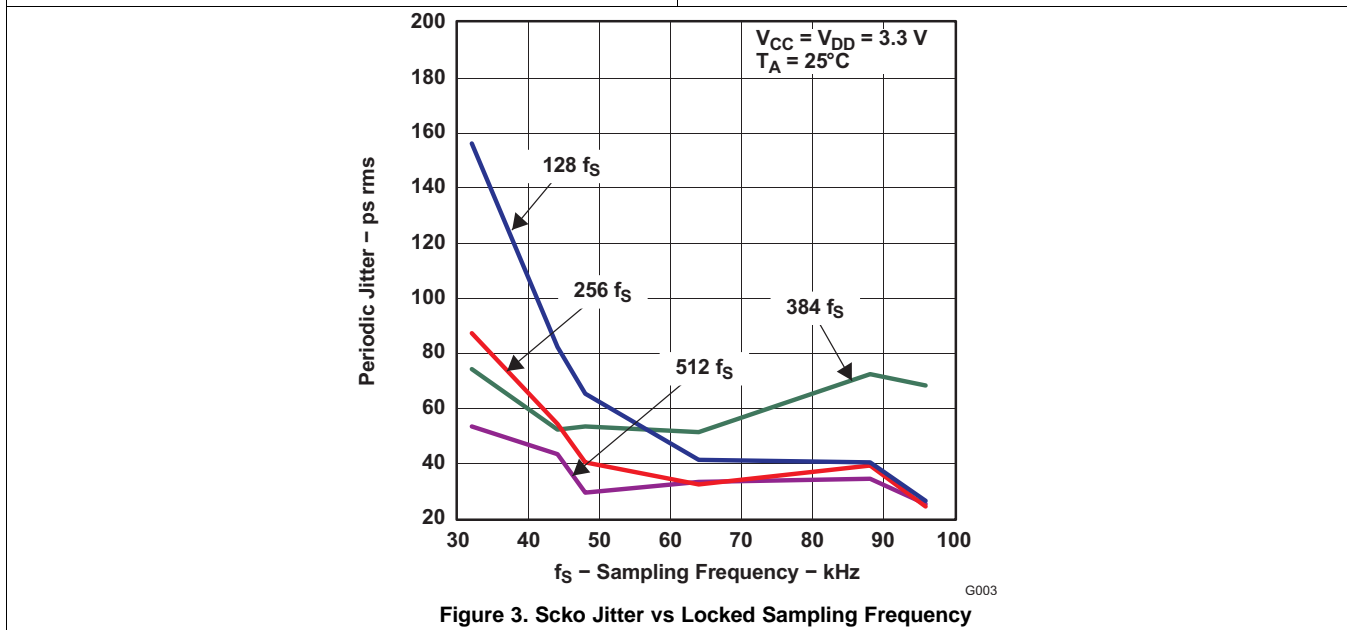
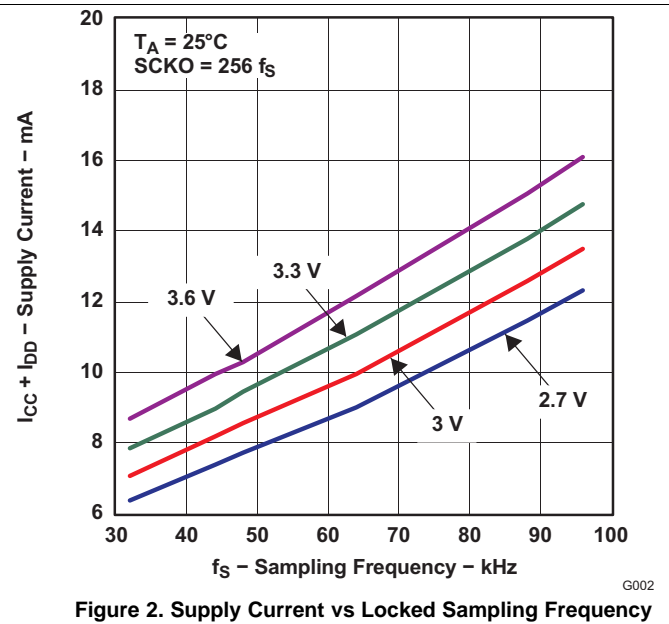
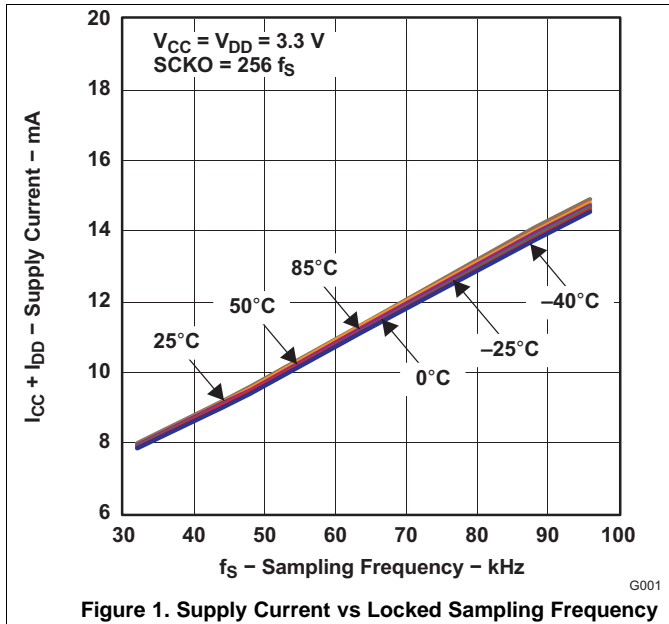
7.7 Switching Characteristics

All specifications at $T_A = 25^\circ\text{C}$, $V_{DD} = V_{CC} = 3.3\text{ V}$ (unless otherwise noted)

| PARAMETER | TEST CONDITIONS | MIN | TYP | MAX | UNIT |
|-------------------------------------|---|--------|-----|--------|------|
| BIPHASE SIGNAL INPUT AND PLL | | | | | |
| PLL lock-up time | From biphas signal detection to error-out release (ERROR = L) | | | 100 | ms |
| RECOVERED CLOCK AND DATA | | | | | |
| SCKO frequency | 128 f_S | 3.584 | | 13.824 | MHz |
| | 256 f_S | 7.168 | | 27.648 | |
| | 384 f_S | 10.752 | | 41.472 | |
| | 512 f_S | 14.336 | | 55.296 | |
| BCKO frequency | 64 f_S | 1.792 | | 6.912 | MHz |
| LRCKO frequency | f_S | 28 | | 108 | kHz |
| SCKO duty cycle | | 45% | | 55% | |

7.8 Typical Characteristics

Oscillation amplifier operating with crystal; 1-kHz, 0-dB, sine-wave data; no load



8 Detailed Description

8.1 Overview

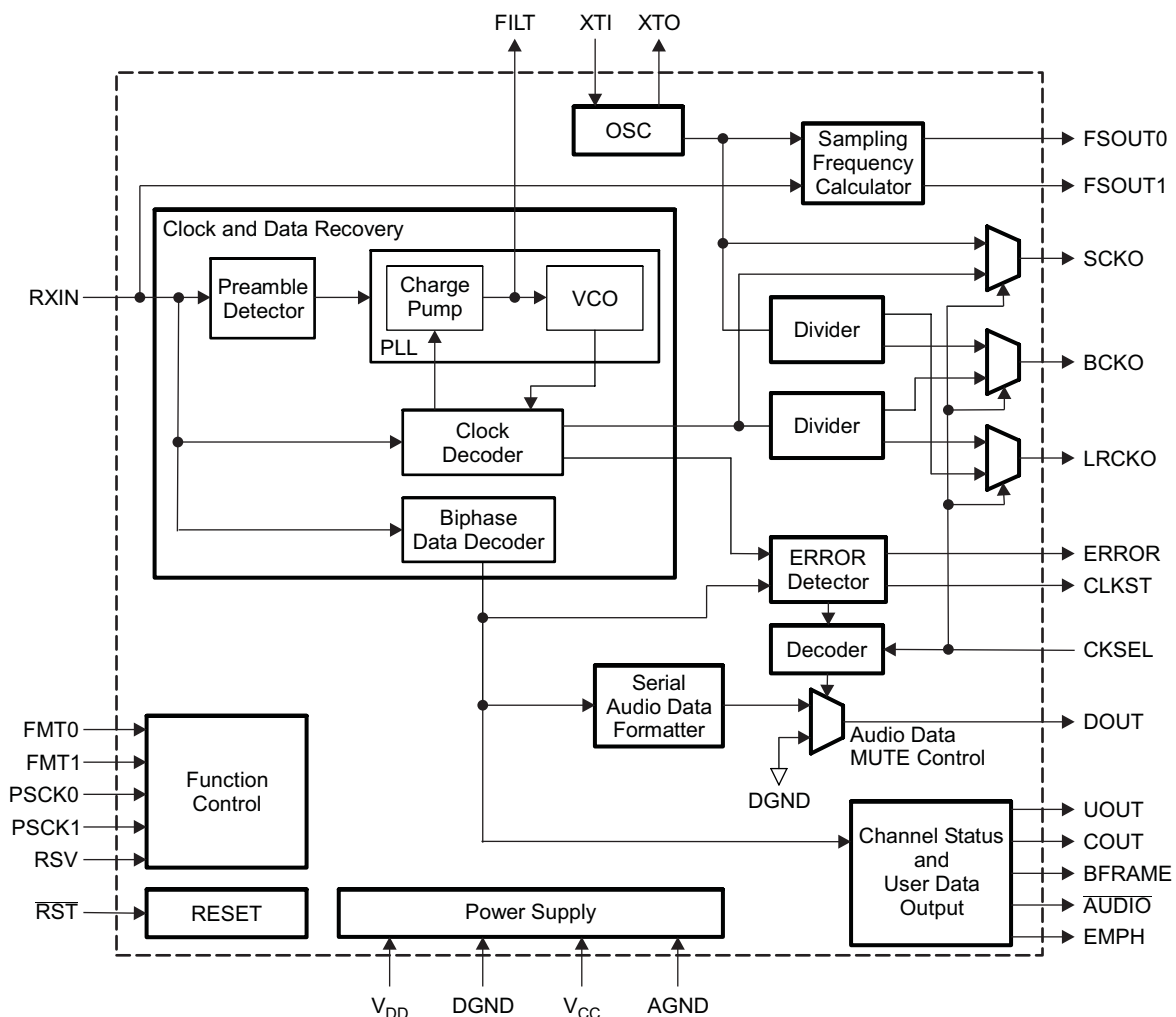
The DIR9001 is a digital audio interface receiver that can receive a 28-kHz to 108-kHz sampling frequency, 24-bit-data-word, biphas-encoded signal and output a serial audio signal. The DIR9001 complies with the jitter specification IEC60958-3, JEITA CPR1205 (Revised version of EIAJ CP-1201), AES3, EBUtech3250, and it can be used in various applications that require a digital audio interface.

The DIR9001 supports MSB-first PCM data output in 24-bit I2S, 24-bit left justified, 24-bit right justified, or 16-bit right justified form. Sampling rates of 32 kHz, 44.1 kHz, 48 kHz, 88.2 kHz, and 96 kHz are supported on the serial audio data output when in PLL mode. All functions which the DIR9001 provides can be controlled directly through control pins. This means that they can be pulled high or low for full operation of the DIR9001 without a microcontroller. A microcontroller can also be used to drive the function pins to provide an adaptable system. Also, as dedicated pins are provided for the channel-status bit and user-data bit, processing of their information can be easily accomplished by connecting with a microcontroller, DSP, and so on.

The DIR9001 can derive a system clock by recovering the source's clock from the biphas input signal. Therefore, the DIR9001 does not require an external clock source or resonator for decode operation if the internal actual-sampling-frequency calculator is not used which in turn can reduce the system cost. The serial audio data output can also be driven by an external source such as a crystal or ceramic resonator.

The operating temperature range of the DIR9001 is specified as -40°C to 85°C , which makes it suitable for automotive applications.

8.2 Functional Block Diagram



8.3 Feature Description

8.3.1 Acceptable Biphase Input Signal and Biphase Input Pin (RXIN)

The DIR9001 can decode the biphase signal format which is specified in one of the following standards. Generally, these following standards may be called Sony/Philips digital interface format (S/PDIF) or AES/EBU.

- IEC60958 (revised edition of former IEC958)
- JEITA CPR-1205 (revised edition of former EIAJ CP-1201, CP-340)
- AES3
- EBU tech3250

The sampling frequency range and data word length which DIR9001 can decode is as follows:

- Sampling frequency range is 28 kHz to 108 kHz.
- Maximum audio sample word length is 24-bit.

Note of others about the biphase input signal.

- The capture ratio of the built-in PLL complies with level III of sampling frequency accuracy ($\pm 12.5\%$), which is specified in IEC60958-3.
- The jitter tolerance of the DIR9001 complies with IEC60958-3.
- The PLL may also lock in outside of the specified sampling-frequency range, but extended range is not assured.

Notice about the signal level and transmission line of the biphase input signal.

- The signal level and the transmission line (optical, differential, single-ended) are different in each standard.
- The biphase input signal is connected to the RXIN pin of the DIR9001.
- The RXIN pin has a 5-V tolerant TTL-level input.
- An optical receiver module (optical to electric converter) such as TOSLINK, which is generally used in consumer applications, is connected directly to the RXIN pin without added external components.
- The output waveform of the optical receiver module varies depending on the characteristics of each product type, so a dumping resistor or buffer amplifier might be required between the optical receiver module output and the DIR9001 input. Careful handling is required if the optical receiver module and the DIR9001 are separated by a long distance.
- The DIR9001 needs an external amplifier if it is connected to a coaxial transmission line.
- The DIR9001 needs an external differential to single-ended converter, attenuator, etc., for general consumer applications if non-optical transmission line is used.

8.3.2 System Reset

The DIR9001 reset function is controlled by an external reset pin, $\overline{\text{RST}}$.

The reset operation must be performed during the power-up sequence as shown in [Figure 4](#). Specifically, the DIR9001 requires reset operation with a 100-ns period after the supply voltage rises above 2.7 V.

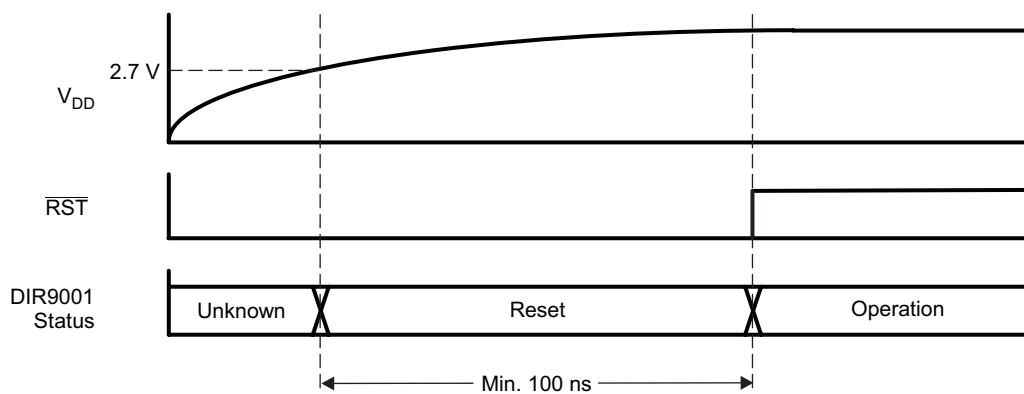


Figure 4. Required System Reset Timing

Feature Description (continued)

The state of each output pins during reset is shown in [Table 3](#).

Table 3. Output-Pin States During Reset Period

| CLASSIFICATION | PIN NAME | WHILE $\overline{RST} = L$ |
|-----------------------|----------|----------------------------|
| Clock | BCKO | L |
| | LRCKO | L |
| | SCKO | L |
| Data | DOUT | L |
| Flag and status | AUDIO | L |
| | BFRAME | L |
| | CLKST | L |
| | COUT | L |
| | EMPH | L |
| | ERROR | H |
| | FSOUT0 | L |
| | FSOUT1 | L |
| Oscillation amplifier | XTO | Output |

8.3.3 Clock Description

8.3.3.1 System Clock Source

DIR9001 has the following two clock sources for the system clock.

- PLL source (128 f_S , 256 f_S , 384 f_S , 512 f_S are available, recovered by built-in PLL)
- XTI source (One 24.576-MHz resonator or external clock source is required.)

Two clock sources are used for the following purpose.

- PLL source: Recovered system clock from the biphasic input signal
- XTI source: Clock source for peripheral devices (for example, A/D converter, microcontroller, etc.)
Measurement reference clock for the internal actual-sampling-frequency calculator

Description of PLL clock source

- The PLL clock source is the output clock of built-in PLL (including VCO).
- The PLL clock source frequency is selectable from 128 f_S , 256 f_S , 384 f_S , 512 f_S by PSCK[1:0].
- When the PLL is in the locked condition, the PLL clock source is the clock recovered from the biphasic input signal.
- When PLL is in the unlocked condition, the PLL clock source is the built-in free-running clock of the VCO.
- The frequency of the PLL clock source in the unlocked condition is not constant.
(The VCO free-running frequency is dependent on supply voltage, temperature, and variations in the die's wafer.)

Description of XTI clock source

- The XTI clock source is not used to recover the clock and decode data from the biphasic input signal.
- Therefore, if the DIR9001 is used only for recovering the clock and decoding data from the biphasic input signal, an XTI clock source is not required. In this case, the XTI pin must be connected to the DGND pin.
(The DIR9001 does not have a selection pin for using an XTI clock source or not using one.)

The selection method of clock source

- The output clock is selected from two clock sources by the level of the CKSEL pin.
- The selection of the system clock source depends only on the input level of CKSEL pin.
- CKSEL = L setting is required for recovering the clock and decoding data from biphasic input.
- CKSEL = H setting is required for XTI clock source output.
- The continuity of clock during the clock source transition between the XTI source and the PLL source is not

assured.

Method of automatic clock source selection (CLOCK SOURCE MODE: AUTO)

- This method enables selection of the clock source automatically, using the DIR9001 ERROR status. The PLL source clock is output when ERROR = L; the XTI source is output when ERROR = H.
- To enable automatic clock source selection, the CKSEL pin must be connected to the ERROR pin.
- If XTI clock source is needed during the ERROR period, this method is recommended.
- Because the clock source during ERROR status is XTI, if an XTI clock source is not provided to the XTI pin, then SCKO, BCKO, and LRCKO are not output during the ERROR period.

The relationship between the clock/data source and the combination of CKSEL pin and PLL status inputs is shown in [Table 12](#).

The clock tree system is shown in [Figure 5](#).

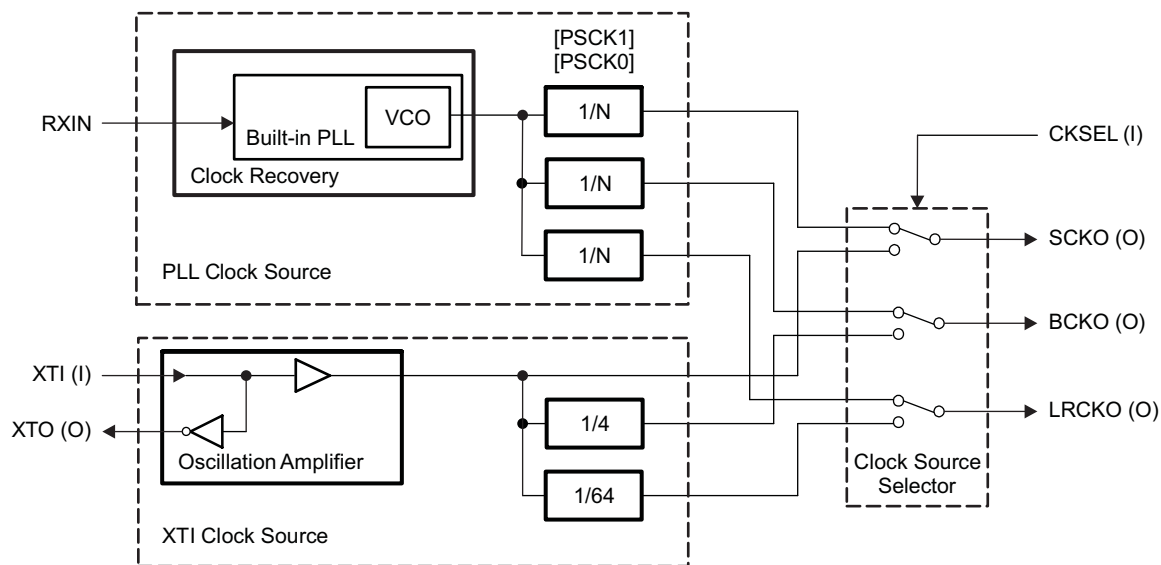


Figure 5. Clock Tree Diagram

8.3.4 PLL Clock Source (Built-In PLL and VCO) Description

The DIR9001 has on-chip PLL (including VCO) for recovering the clock from the biphasic input signal.

The clock that is output from the built-in VCO is defined as the PLL clock source.

In the locked state, the built-in PLL generates a system clock that synchronizes with the biphasic input signal.

In the unlocked state, the built-in PLL (VCO) generates a free-running clock. (The frequency is not constant.)

The PLL can support a system clock of $128 f_s$, $256 f_s$, $384 f_s$, or $512 f_s$, where f_s is the sampling frequency of the biphasic input signal.

The system clock frequency of the PLL is selected by PSCK[1:0].

The DIR9001 can decode a biphasic input signal through its sampling-frequency range of 28 kHz to 108 kHz, independent of the setting of PSCK[1:0].

Therefore, the DIR9001 can decode a biphasic input signal with a sampling frequency from 28 kHz to 108 kHz at all settings of PSCK[1:0].

The relationship between the PSCK[1:0] selection and the output clock (SCKO, BCKO, LRCKO) from the PLL source is shown in [Table 4](#).

Table 4. SCKO, BCKO, and LRCKO Frequencies Set by PSCK[1:0]

| PSCK[1:0] SETTING | | OUTPUT CLOCK FROM PLL SOURCE | | |
|-------------------|-------|------------------------------|----------|-------|
| PSCK1 | PSCK0 | SCKO | BCKO | LRCKO |
| L | L | 128 f_s | 64 f_s | f_s |
| L | H | 256 f_s | 64 f_s | f_s |
| H | L | 384 f_s | 64 f_s | f_s |
| H | H | 512 f_s | 64 f_s | f_s |

In PLL mode (CKSEL = L), output clocks (SCKO, BCKO, LRCKO) are generated from the PLL source clock.

The relationship between frequencies of LRCKO, BCKO, and SCKO at different sampling frequencies f_s of the biphase input signal are shown in [Table 5](#).

Table 5. Output Clock Frequency in PLL Locked State (CKSEL = L)

| LRCKO f_s | BCKO 64 f_s | SCKO (DEPENDING ON PSCK[1:0] SETTING) | | | |
|----------------|------------------|---------------------------------------|-------------|-------------|-------------|
| | | 128 f_s | 256 f_s | 384 f_s | 512 f_s |
| 32 kHz | 2.048 MHz | 4.096 MHz | 8.192 MHz | 12.288 MHz | 16.384 MHz |
| 44.1 kHz | 2.8224 MHz | 5.6448 MHz | 11.2896 MHz | 16.9344 MHz | 22.5792 MHz |
| 48 kHz | 3.072 MHz | 6.144 MHz | 12.288 MHz | 18.432 MHz | 24.576 MHz |
| 88.2 kHz | 5.6448 MHz | 11.2896 MHz | 22.5792 MHz | 33.8688 MHz | 45.1584 MHz |
| 96 kHz | 6.144 MHz | 12.288 MHz | 24.576 MHz | 36.864 MHz | 49.152 MHz |

8.3.5 Required PLL Loop Filter Description

The DIR9001 incorporates a PLL for generating a clock synchronized with the biphase input signal.

The built-in PLL requires an external loop filter, which is specified as follows.

Operation and performance is assured for recommended filter components R1, C1, and C2.

Notes about Loop Filter Components and Layout

- The resistor and capacitors which comprise the filter should be located and routed as close as possible to the DIR9001.
- A carbon film resistor or metal film resistor, with tolerance less than 5%, is recommended.
- Film capacitors, with tolerance is less than 5%, is recommended.
- If ceramic capacitors are used for C1 and C2, parts with a low voltage coefficient and low temperature coefficient, such as CH or C0G, are recommended.
- The external loop filter must be placed on FILT pins.
- The GND node of the external loop filter must be directly connected with the AGND pin of the DIR9001; it must be not combined with other signals.

The configuration of external loop filter and the connection with the DIR9001 is shown in [Figure 6](#).

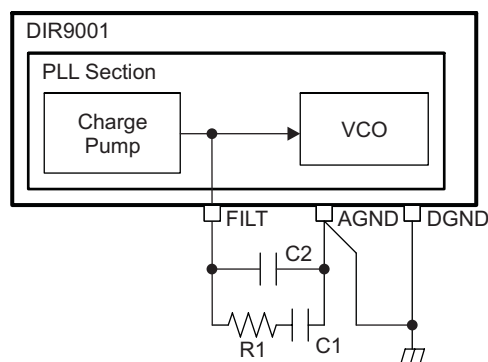


Figure 6. Loop Filter Connection

The recommended values of loop filter components is shown in [Table 6](#).

Table 6. Recommended Value of Loop Filter Components

| REF. NO. | RECOMMENDED VALUE | PARTS TYPE | TOLERANCE |
|----------|-------------------|-----------------------------|-----------|
| R1 | 680 Ω | Metal film or carbon | ≤5% |
| C1 | 0.068 μF | Film or ceramic (CH or C0G) | ≤5% |
| C2 | 0.0047 μF | Film or ceramic (CH or C0G) | ≤5% |

8.3.6 XTI Clock Source and Oscillation Amplifier Description

This clock, driven by the built-in oscillation amplifier or input into the XTI pin from an external clock, is defined as the XTI source. A 24.576-MHz fundamental resonator or external 24.576-MHz clock is used as the XTI source.

The DIR9001 requires an XTI source for following purposes:

- The measurement reference clock of actual-sampling-frequency calculator
- The clock source for the XTI source mode (CKSEL = H setting)
(That is, the DIR9001 does not require an XTI source if it is only decoding the biphasic input signal.)

The XTI clock source is supplied in one of the following two ways; the details are described in [Figure 7](#).

- Setting up an oscillation circuit by connecting a resonator with the built-in amplifier
- Applying a clock from an external oscillator circuit or oscillator module

To set up an oscillation circuit by connecting a resonator with the built-in amplifier:

- Connect a 24.576-MHz resonator between the XTI pin and XTO pin.
- The resonator should be a fundamental-mode type.
- A crystal resonator or ceramic resonator can be used.
- The load capacitor C_{L1} , C_{L2} , and the current-limiting resistor R_d depend on the characteristics of the resonator.
- No external feedback resistor between the XTI pin and XTO pin is required, as an appropriate resistor is incorporated in the device.
- No load other than the resonator is allowed on the XTO pin.

To connect an external oscillator circuit or oscillator module:

- Provide a 24.576-MHz clock on the XTI pin
- Note that the XTI pin is not 5-V tolerant; it is simple CMOS input.
- The XTO pin must be open.

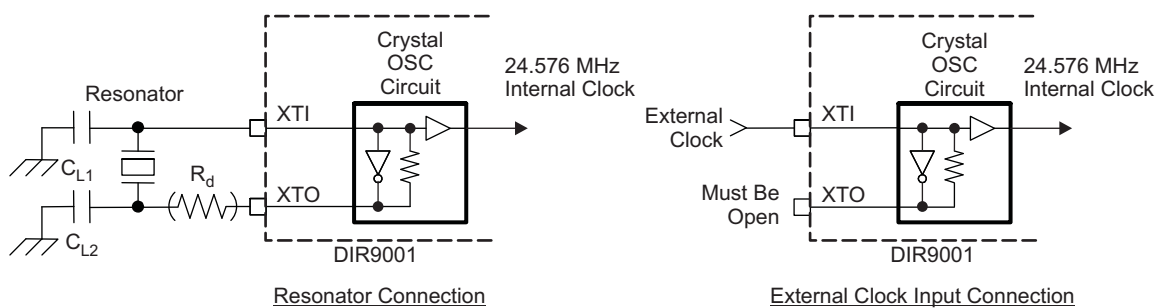


Figure 7. XTI and XTO Connection Diagram

Description of oscillation amplifier operation:

- The built-in oscillation amplifier is always working.
- If the XTI source clock is not used, then the XTI pin must be connected to DGND.
- For reducing power dissipation, it is recommended to not use the XTI source clock.

In XTI mode (CKSEL = H), output clocks (SCKO, BCKO, LRCKO) are generated from XTI source clock.

The relation between output clock frequency (SCKO, BCKO, LRCKO) and the XSCK pin setting in XTI source mode is shown in [Table 7](#).

Table 7. SCKO, BCKO, LRCKO Output Frequency at XTI Mode

| XTI FREQUENCY | OUTPUT CLOCK FREQUENCY IN XTI SOURCE MODE (CKSEL = H) | | |
|---------------|---|-----------|--------|
| | SCKO | BCKO | LRCKO |
| 24.576 MHz | 24.576 MHz | 6.144 MHz | 96 kHz |

8.3.7 Channel-Status Data and User Data Serial Outputs

The DIR9001 can output channel-status data and user data synchronized with audio data from the biphasic input signal.

Each output data has its own dedicated output pin.

Channel-status data (C, hereinafter) is output through COUT pin.

User data (U, hereinafter) is output through UOUT pin.

The C and U outputs are synchronized with LRCKO recovered from the biphasic input signal.

The polarity of LRCKO recovered from the biphasic input signal depends on FMT[1:0] setting.

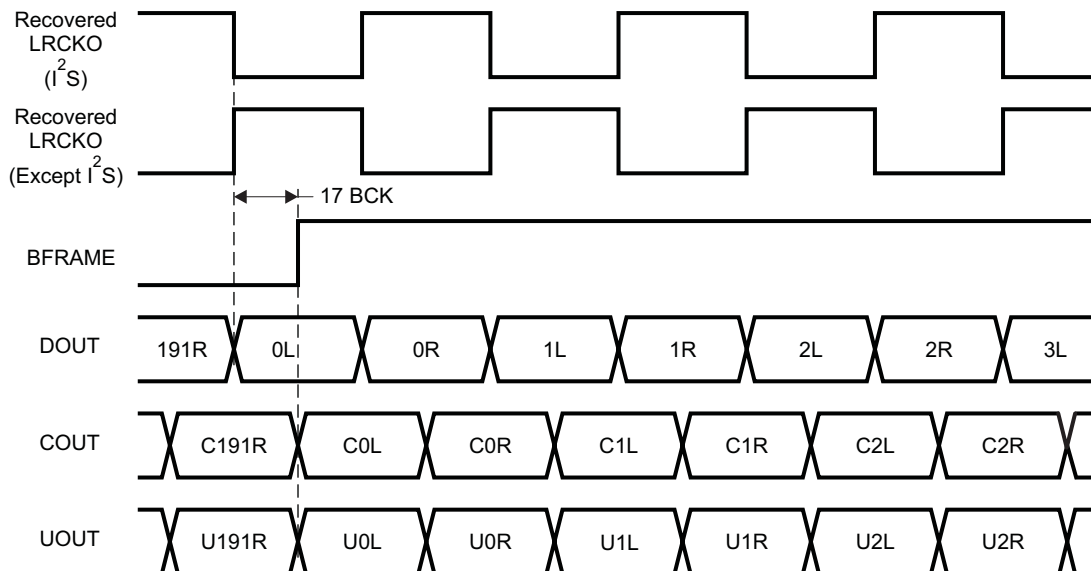
For detecting the top of the block of channel-status data or user data, the BFRAME pin is provided.

The BFRAME pin outputs a high level for an 8-LRCK period if the preamble B is detected in the received biphasic signal.

In processing these data by a microcontroller or register circuit, LRCKO is used as the data input clock, and the output pulse on the BFRAME pin is used as the top-of-block signal.

The relationship among LRCKO, BFRAME, DOUT, COUT, and UOUT is shown in Figure 8.

When in the XTI mode and the PLL-locked state, COUT and UOUT output L.



NOTE: The numbers 0 through 191 of DOUT, COUT, and UOUT indicate frame numbers of the biphasic input.

Figure 8. LRCKO, DOUT, BFRAME, COUT, UOUT Output Timing

8.3.8 Channel-Status Data Information Output Terminal

The DIR9001 can output part of the channel-status information (bit 1, bit 3) through two dedicated pins, $\overline{\text{AUDIO}}$ and EMPH.

The channel-status information which can be output from dedicated pins is limited to information from the L-channel.

If channel-status information other than AUDIO or EMPH is required, or information from the R-channel, then the channel-status data on the COUT pin, which is synchronized with biphasic input signal, can be used.

These outputs are synchronized with the top of block.

The information that can be output through the dedicated pins is shown as follows.

8.3.8.1 **AUDIO Pin**

This is the output pin for the audio sample word information of the channel-status data bit 1.

Table 8. Audio Sample Word Information

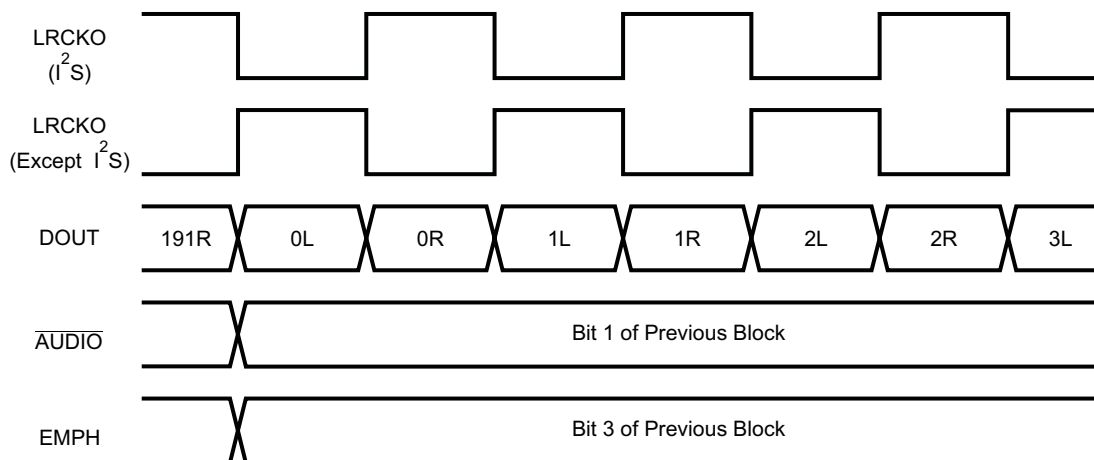
| AUDIO | DESCRIPTION |
|-------|--|
| L | Audio sample word represents linear PCM samples. |
| H | Audio sample word is used for other purposes. |

8.3.8.2 **EMPH Pin**

This is the output pin for the emphasis information of the channel-status data bit 3.

Table 9. Pre-Emphasis Information

| EMPH | DESCRIPTION |
|------|--|
| L | Two audio channels without pre-emphasis |
| H | Two audio channels with 50 μ s / 15 μ s pre-emphasis |



NOTE: The numbers 0 through 191 of DOUT indicate frame numbers of the biphase input.

Figure 9. AUDIO and EMPH Output Timing

8.3.9 Errors And Error Processing

8.3.9.1 **Error Output Description**

Error detection and data error processing for PLL errors

- PLL responds with unlock for data in which the rule of biphase encoding is lost (biphase error and frame-length error).
- PLL responds with unlock for data in which the preamble B, M, W can not be detected.

Error processing function and error output pins

- The DIR9001 has a data error detect function and an error output pin, ERROR.
- The ERROR pin is defined as the logical OR of data error and parity error detection.
- The ERROR rising edge is synchronized with CLKST.
- The ERROR falling edge is synchronized with LRCK.

The relationship between data error and detected parity error is shown in [Figure 10](#).

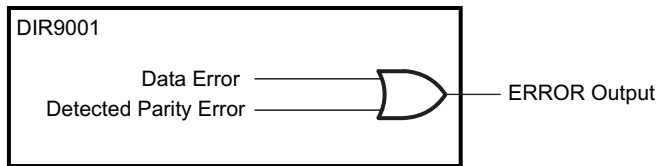


Figure 10. ERROR Output

The state of the ERROR pin and the details of error are shown in Table 10.

Table 10. State of ERROR Output Pin

| ERROR | DESCRIPTION |
|-------|--|
| L | Lock state of PLL and nondetection of parity error |
| H | Unlock state of PLL or detection of parity error |

8.3.9.2 Parity Error Processing

Error detection and error processing for parity errors

- For PCM data, interpolation processing by previous data is performed.
- For non-PCM data, interpolation is not performed and data is directly output with no processing. (Non-PCM data is data with channel-status data bit 1 = 1.)

The processing for parity error occurrence is shown in Figure 11.

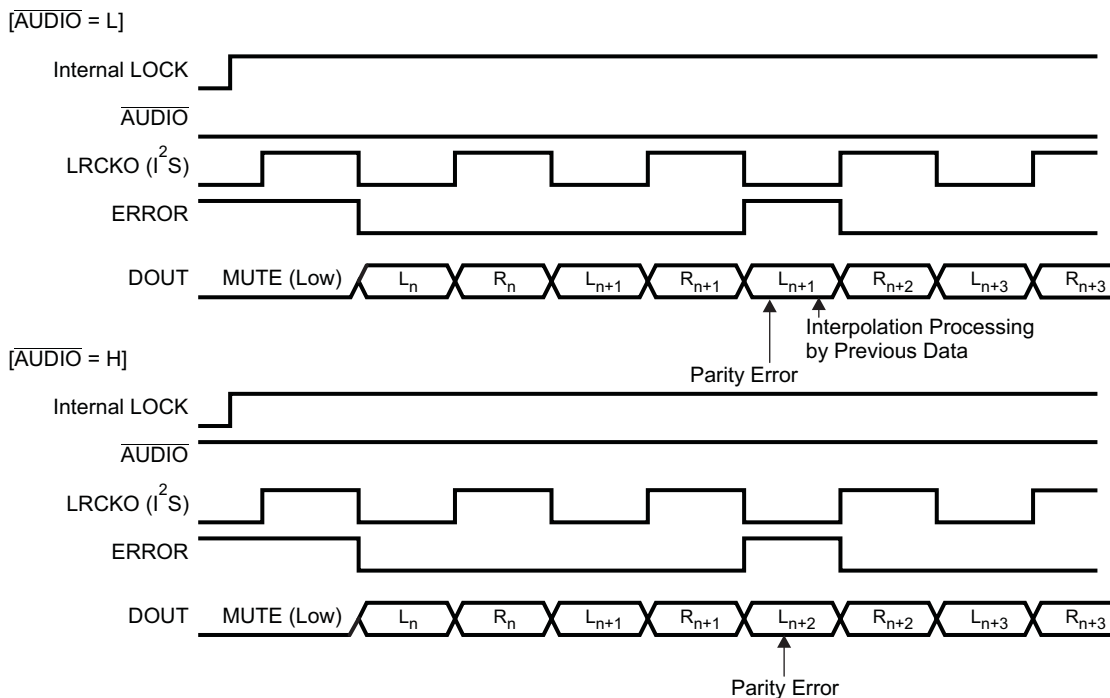


Figure 11. Processing for Parity Error Occurrence

8.3.9.3 Other Error

Error for sampling frequency change: A rapid continuous change or a discontinuous change of the input sampling frequency causes the PLL to lose lock.

8.3.10 Calculation of Actual Sampling Frequency

The DIR9001 calculates the actual sampling frequency of the biphase input signal and outputs its result through dedicated pins.

To use this function, a 24.576-MHz clock source must be supplied to the XTI pin. The 24.576-MHz clock is used as a measurement reference clock to calculate the actual sampling frequency.

If the XTI pin is connected to DGND, calculation of the actual sampling frequency is not performed.

If there is an error in the XTI clock frequency, the calculation result and range are shifted correspondingly.

This output is the result of calculating the sampling frequency, it is not the sampling frequency information of the channel-status data (bit 24–bit 27).

The sampling frequency information of the channel-status data (bit 24–bit 27) is not output through these pins.

The calculation result is decoded into 2-bit data, which is output on the FSOUT[1:0] pins.

If the PLL is locked but the sampling frequency is out-of-range, or if the PLL is unlocked, FSOUT[1:0] = HL is output to indicate an abnormality.

When the XTI source clock is not supplied before power on, FSOUT [1:0] always outputs LL.

When the XTI source clock is stopped, the f_s calculator holds the last value of the f_s calculator result.

If XTI source clock is supplied, the f_s calculator resumes operation.

The calculated value is held until reset.

The relationship between the FSOUT[1:0] outputs and the range of sampling frequencies is shown in [Table 11](#).

Table 11. Calculated Sampling Frequency Output

| NOMINAL f_s | ACTUAL SAMPLING FREQUENCY RANGE | CALCULATED SAMPLING FREQUENCY OUTPUT | |
|---------------|---------------------------------|--------------------------------------|--------|
| | | FSOUT1 | FSOUT0 |
| Out of range | Out of range or PLL unlocked | H | L |
| 32 kHz | 31.2 kHz–32.8 kHz | H | H |
| 44.1 kHz | 43 kHz–45.2 kHz | L | L |
| 48 kHz | 46.8 kHz–49.2 kHz | L | H |

8.4 Device Functional Modes

8.4.1 Operation Mode and Clock Transition Signal Out

8.4.1.1 Operation Mode

The DIR9001 has the following three operation modes.

These modes are selected by the connection of the CKSEL pin.

- PLL MODE: For demodulating a biphase input signal; always outputs PLL source clock
- XTI MODE: For clock generator; always outputs XTI source clock
- AUTO MODE: Automatic clock source selection; output source depends on ERROR pin.

Notes about operation mode selection:

- Normally, the PLL mode: CKSEL = L is selected to decode a biphase input signal.
- The XTI mode is a mode that supplies the XTI source clock to peripheral devices (A/D converters, etc); therefore, recovered clock and decoded data is not output.
- When the XTI source is not used, an XTI source is not required. In this case, clocks are not output in the XTI mode.
- At the time of XTI mode selection, biphase decode function continues to operate. Therefore, the biphase input status (ERROR) and the result of the sampling frequency calculator (a required XTI source for operation), are always monitored. That is, the following output pins: ERROR, BFRAME, FSOUT[1:0], CLKST, AUDIO and EMPH are always enabled.

Device Functional Modes (continued)

The details of these three modes are given in Table 12.

Table 12. Operation Mode and Clock Source

| OPERATION MODE | CKSEL PIN SETTING | ERROR PIN STATUS | SCKO, BCKO, LRCKO CLOCK SOURCE | DOUT DATA | AUDIO EMPH | FSOUT [1:0] | BFRAME | COUT UOUT |
|----------------|------------------------|------------------|---|--------------|------------|-------------|--------|-----------|
| PLL | L | H | PLL (VCO) free-running clock ⁽¹⁾ | MUTE (Low) | LOW | HL | LOW | LOW |
| | | L | PLL recovered clock | Decoded data | OUT | OUT | OUT | OUT |
| XTI | H | H | XTI clock | MUTE (Low) | LOW | HL | LOW | LOW |
| | | L | XTI clock | MUTE (Low) | OUT | OUT | OUT | LOW |
| AUTO | Connected to ERROR pin | H | XTI clock | MUTE (Low) | LOW | HL | LOW | LOW |
| | | L | PLL recovered clock | Decoded data | OUT | OUT | OUT | OUT |

(1) The VCO free-running frequency is not a constant frequency, because the VCO oscillation frequency is dependent on supply voltage, temperature, and process variations.

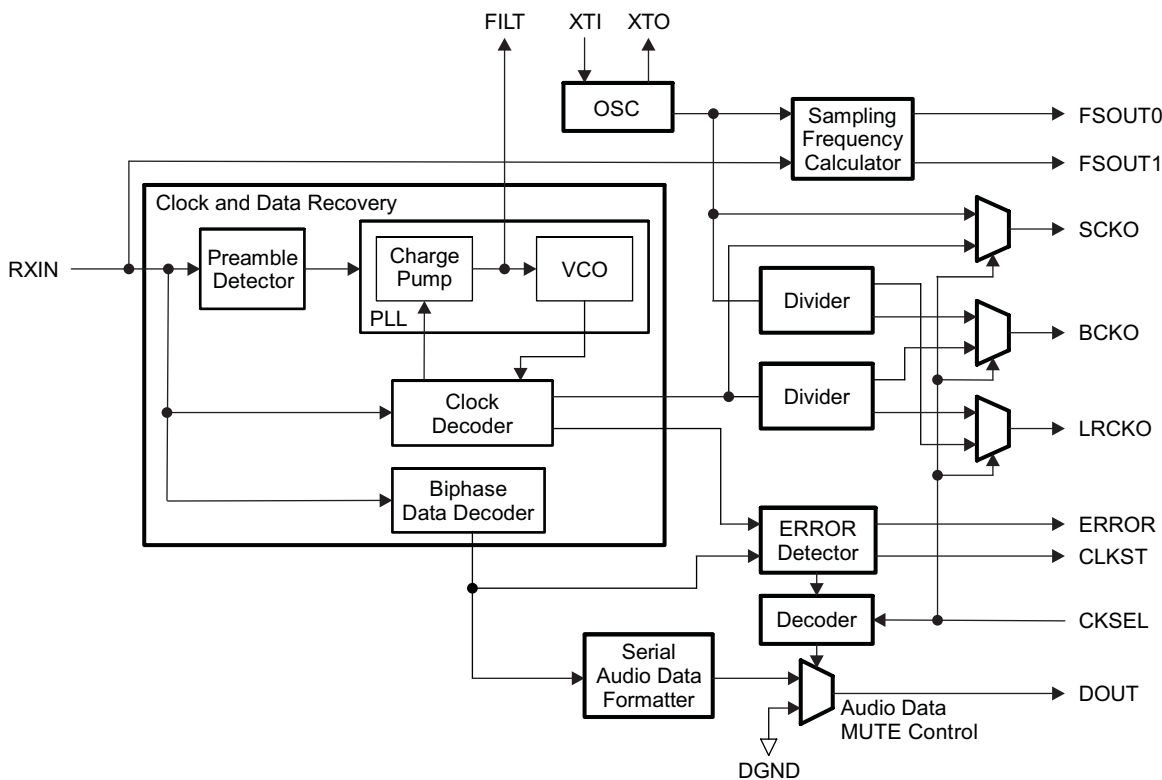


Figure 12. Clock Source, Source Selector and Data Path

8.4.1.2 Clock Transition Signal Out

The DIR9001 provides an output pulse that is synchronized with the PLL's LOCK/UNLOCK status change.

The CLKST pin outputs the PLL status change between LOCK and UNLOCK. The CLKST output pulse depends only on the status change of the PLL.

This clock change/transition signal is output through CLKST.

As this signal indicates a clock transition period due to a PLL status change, it can be used for muting or other appropriate functions in an application.

A clock source selection caused by the CLKSEL pin does not affect the output of CLKST.

DIR9001

SLES198A – DECEMBER 2006 – REVISED MAY 2015

www.ti.com

CLKST does change due to PLL status change even if CKSEL = H in the XTI source mode.

When DIR9001 is reset in the state where it is locked to the biphasic input signal, the pulse signal of CLKST is not output. That is, the priority of reset is higher than CLKST.

The relation among the lock-in/unlock process, the CLKST and ERROR outputs, the output clocks (SCKO, BCKO, LRCKO), and data (DOUT) is shown in [Figure 13](#).

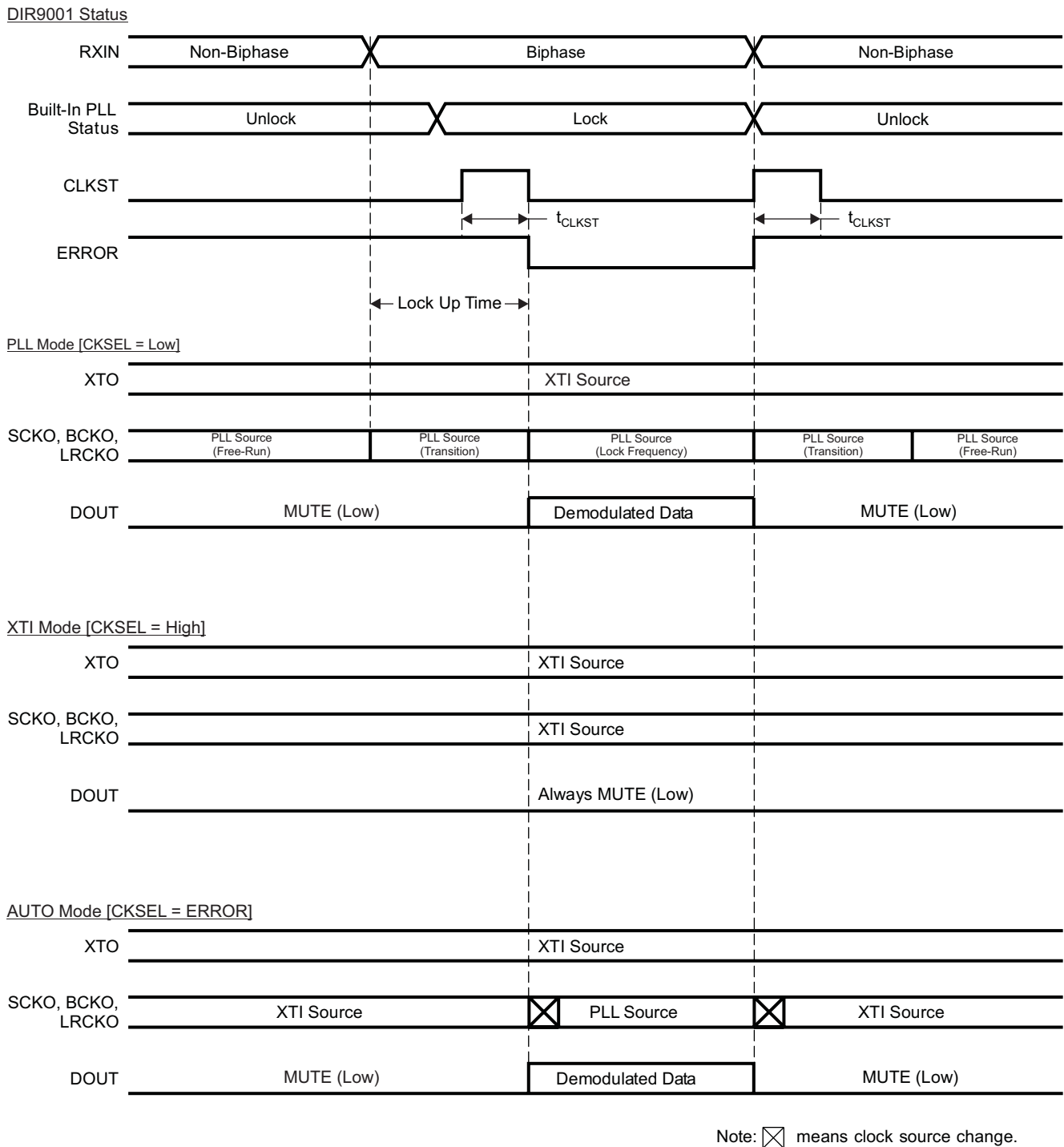


Figure 13. Lock-In and Unlock Process

8.5 Programming

8.5.1 Data Description

8.5.1.1 Decoded Serial Audio Data Output and Interface Format

The DIR9001 supports following 4-data formats for the decoded data.

- 16-bit, MSB-first, right-justified
- 24-bit, MSB-first, right-justified
- 24-bit, MSB-first, left-justified
- 24-bit, MSB-first, I²S

Decoded data is MSB first and 2s-complement in all formats.

The decoded data is provided through the DOUT pin.

The format of the decoded data is selected by the FMT[1:0] pins.

The data formats for each FMT[1:0] pin setting are shown in [Table 13](#).

Table 13. Serial Audio Data Output Format Set by FMT[1:0]

| FMT[1:0] SETTINGS | | DOUT SERIAL AUDIO DATA OUTPUT FORMAT |
|-------------------|------|--------------------------------------|
| FMT1 | FMT0 | |
| L | L | 16-bit, MSB-first, right-justified |
| L | H | 24-bit, MSB-first, right-justified |
| H | L | 24-bit MSB-first, left-justified |
| H | H | 24-bit, MSB-first, I ² S |

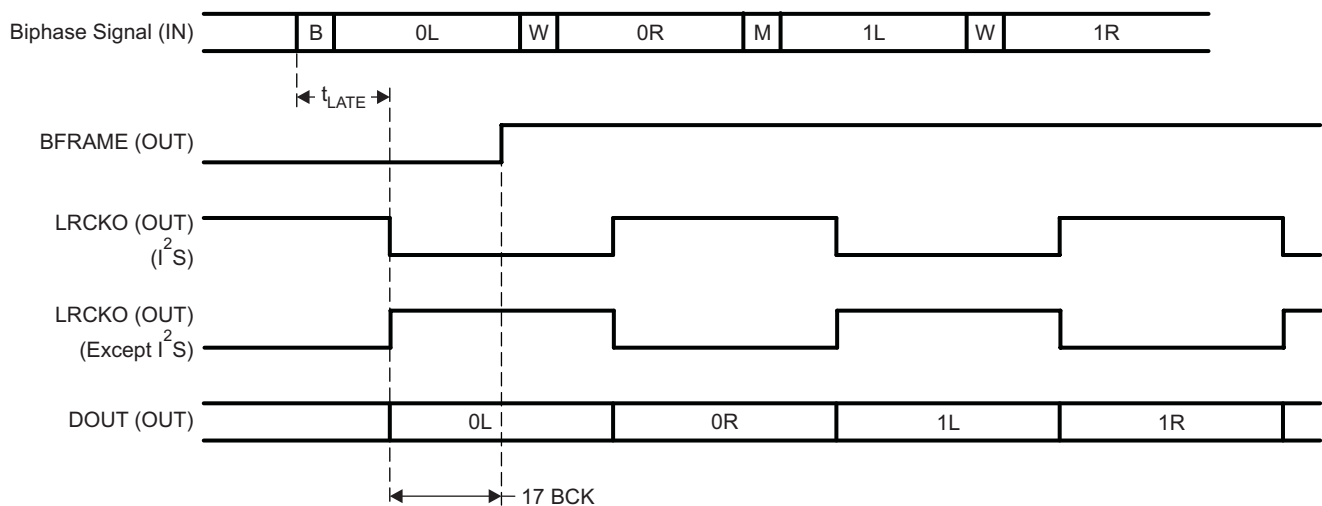
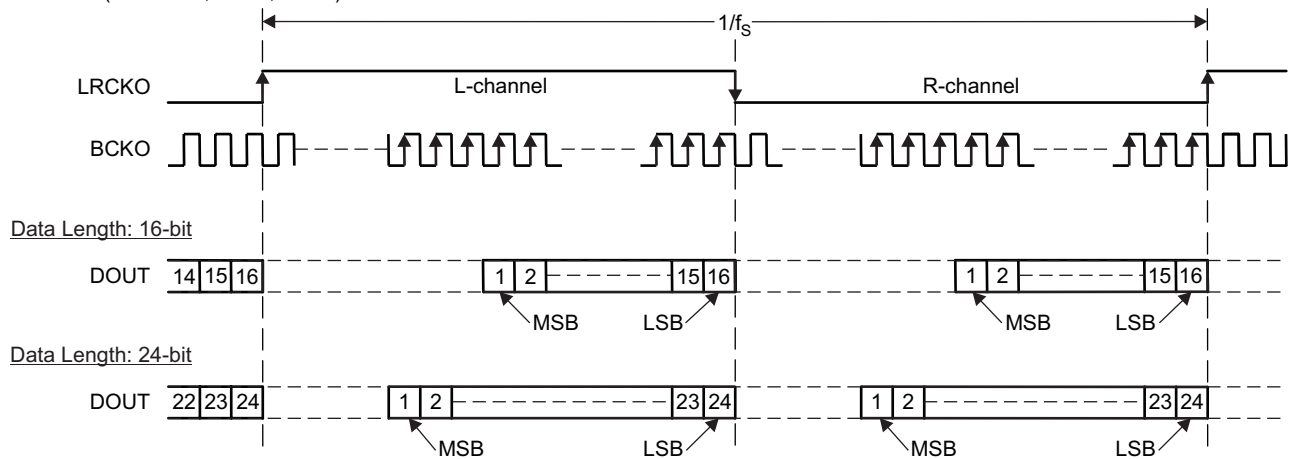


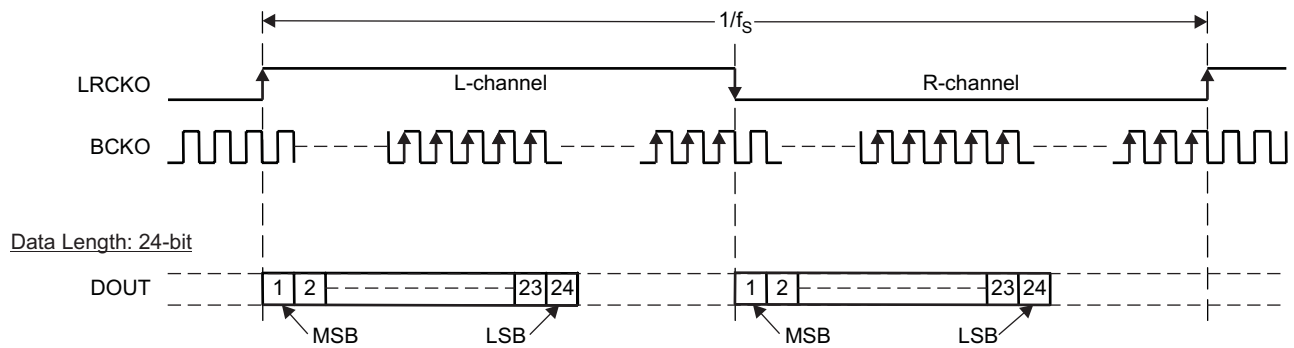
Figure 14. Latency Time Between Biphase Input and LRCKO/DOUT

The relationships among BCKO, LRCKO, and DOUT for each format are shown in [Figure 15](#).

Right Justified (MSB First, 24-bit, 16-bit)



Left Justified (MSB First)



I²S Format (MSB First)

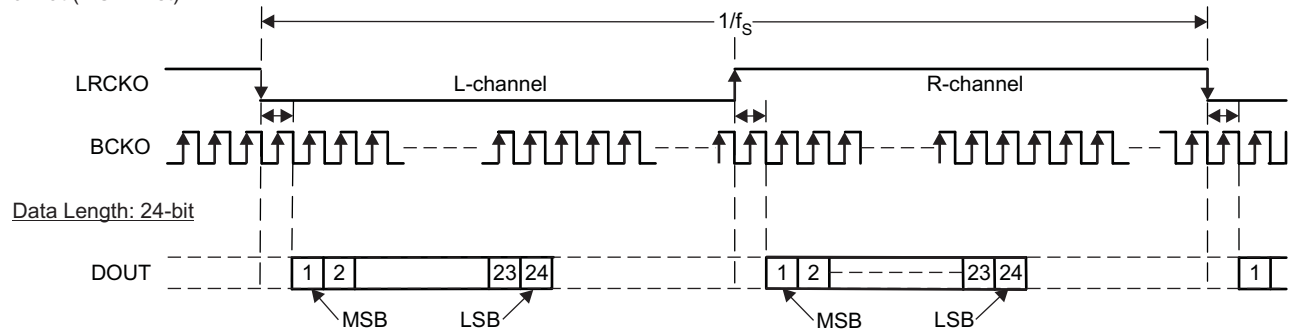


Figure 15. Decoded Serial Audio Data Output Formats

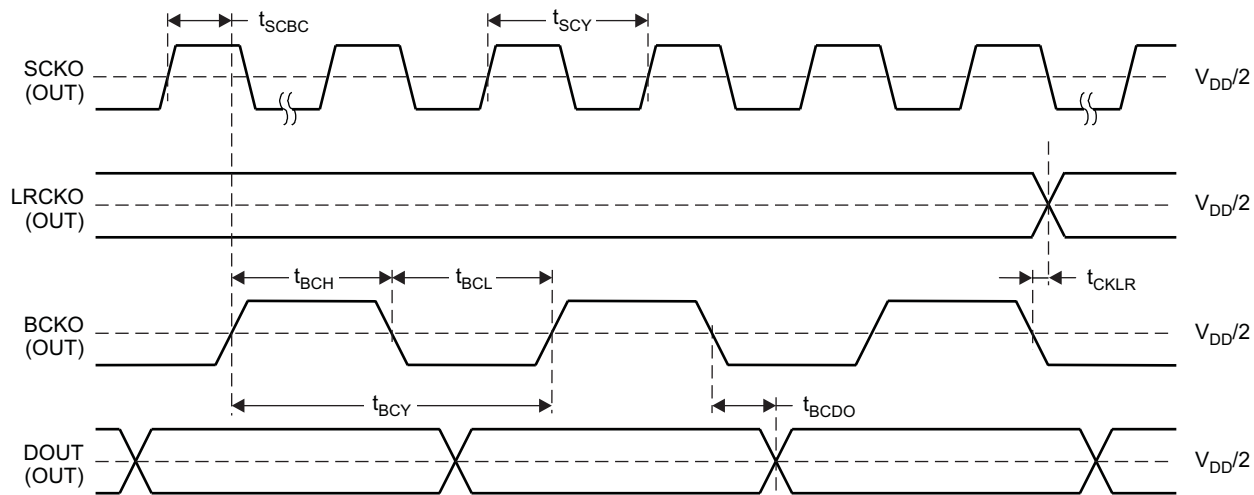


Figure 16. Decoded Audio Data Output Timing

9 Application and Information

NOTE

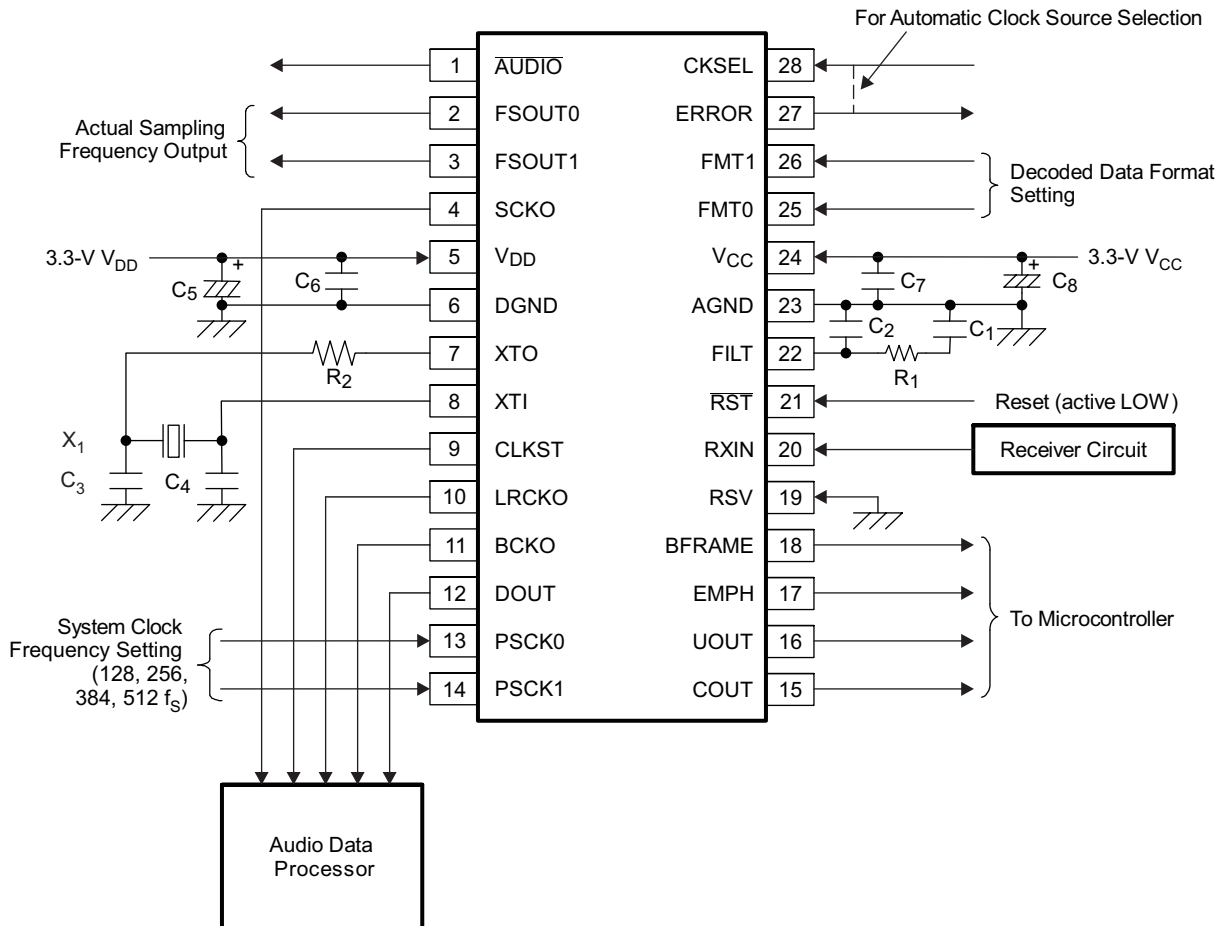
Information in the following applications sections is not part of the TI component specification, and TI does not warrant its accuracy or completeness. TI's customers are responsible for determining suitability of components for their purposes. Customers should validate and test their design implementation to confirm system functionality.

9.1 Application Information

The DIR9001 is an audio receiver capable of accepting S/PDIF, EIAJ CP-1201, IEC60958, and AES/EBU up to a 108-kHz sampling rate. When receiving a biphase differential signal, a clock can be recovered to be used as a master clock or use an external crystal. 16-bit and 24-bit PCM serial audio data can be output in master mode. All settings are controlled in hardware by setting pins high or low, this can be done with pull up/down resistors or with GPIO from a microcontroller. User and channel data from the S/PDIF or AES/EBU standard is processed and output at the UOUT and COUT pins. BFRAME is a synching signal meant to indicate the start of a frame of information. A 3.3-V analog and 3.3-V digital supply are required, this could come from the same 3.3-V supply or separate supplies.

9.2 Typical Application

Figure 17 illustrates typical circuit connection.



- NOTES: R₁: Loop filter resistor, 680 Ω
R₂: Current-limiting resistor; generally, a 100 Ω–500 Ω resistor is used, but it depends on the crystal resonator.
C₁: Loop filter capacitor, 0.068 μF.
C₂: Loop filter capacitor, 0.0047 μF.
C₃, C₄: OSC load capacitor; generally, a 10-pF–30-pF capacitor is used, but it depends on the crystal resonator and PCB layout.
C₅, C₈: 10-μF electrolytic capacitor typical, depending on power-supply quality and PCB layout.
C₆, C₇: 0.1-μF ceramic capacitor typical, depending on power-supply quality and PCB layout.
X₁: Crystal resonator, use a 24.576-MHz fundamental resonator when XTI clock source is needed.

Figure 17. Typical Circuit Connection Diagram

9.2.1 Design Requirements

- Control: Hardware
- Audio Input: Biphase differential signal
- Audio Output: PCM serial audio data
- Master Clock: 24.576-MHz crystal

Typical Application (continued)

9.2.2 Detailed Design Procedure

- Hardware control with GPIO of microcontroller
- Select crystal capacitors by reading the crystal data sheet
- Select if system will be run off the recovered clock or the external crystal by setting CKSEL high for the external crystal and low for the recovered clock
- Decide sampling rate and audio related settings
- Configure microcontroller to receive PCM data along with User and Channel data from S/PDIF or AES/EBU data stream

9.2.3 Application Curve

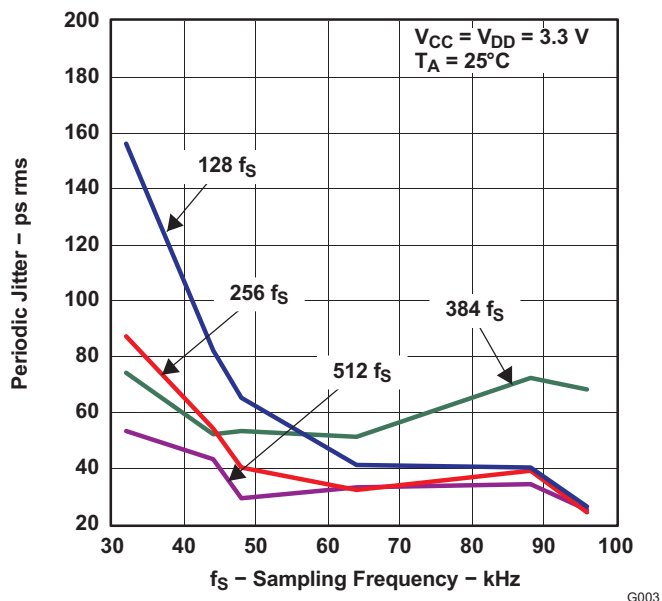


Figure 18. SCKO Jitter vs Locked Sampling Frequency

10 Power Supply Recommendations

The DIR9001 requires that 3.3 V be supplied to the digital VDD pin and analog VCC pin. For better separation of analog and digital components two supplies can be used but is not required. Decoupling capacitors for the power supplies should be placed close to the device terminals. For both VDD and VCC, a 10- μ F and 0.1- μ F capacitor should be used.

11 Layout

11.1 Layout Guidelines

- Use a ground plane with multiple vias for each terminal to create a low-impedance connection to GND for minimum ground noise.
- A single common GND plane between AGND and DGND is recommended to avoid a potential voltage difference between them. To avoid signal interference between digital and analog signals, take care to separate analog and digital signals and return paths.
- Use supply decoupling capacitors as shown in [Figure 17](#) and described in [Power Supply Recommendations](#).
- Series resistors can be used on MCLK, LRCK, and BCK to reduce or eliminate reflections and noise. These are to be tuned as each PCB is different but the resistors are usually below 50 Ohms.

11.2 Layout Example

It is recommended to place a top layer ground pour for shielding around DIR9001 and connect to lower main PCB ground plane by multiple vias

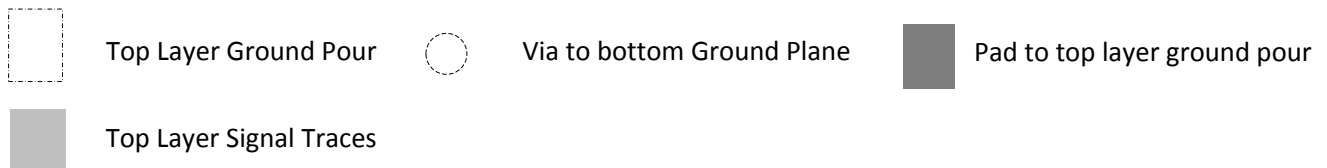
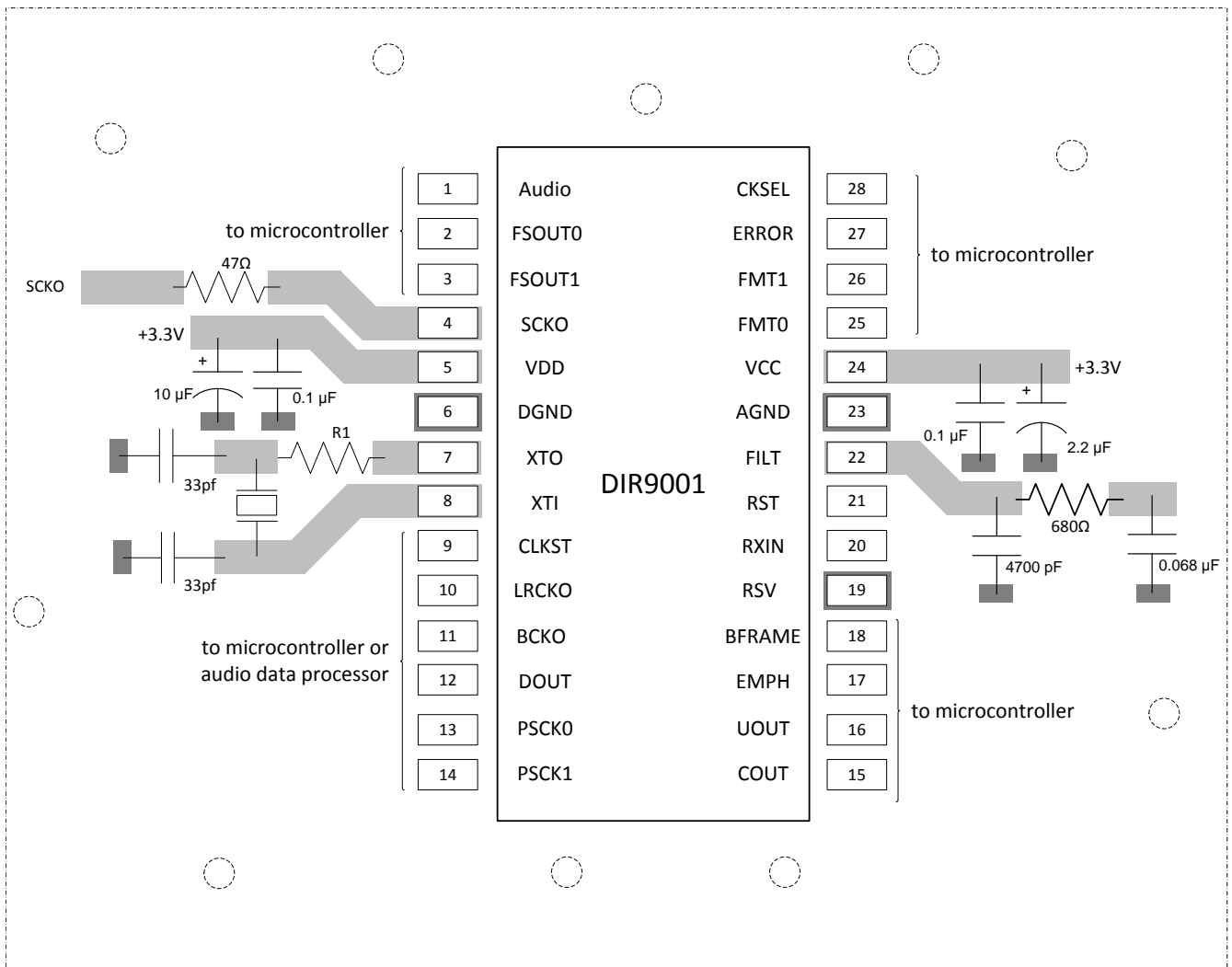


Figure 19. Layout Example

12 Device and Document Support

12.1 Community Resources

The following links connect to TI community resources. Linked contents are provided "AS IS" by the respective contributors. They do not constitute TI specifications and do not necessarily reflect TI's views; see TI's [Terms of Use](#).

TI E2E™ Online Community *TI's Engineer-to-Engineer (E2E) Community*. Created to foster collaboration among engineers. At e2e.ti.com, you can ask questions, share knowledge, explore ideas and help solve problems with fellow engineers.

Design Support *TI's Design Support* Quickly find helpful E2E forums along with design support tools and contact information for technical support.

12.2 Trademarks

SpAct, E2E are trademarks of Texas Instruments.
All other trademarks are the property of their respective owners.

12.3 Electrostatic Discharge Caution



This integrated circuit can be damaged by ESD. Texas Instruments recommends that all integrated circuits be handled with appropriate precautions. Failure to observe proper handling and installation procedures can cause damage.

ESD damage can range from subtle performance degradation to complete device failure. Precision integrated circuits may be more susceptible to damage because very small parametric changes could cause the device not to meet its published specifications.

12.4 Glossary

[SLYZ022](#) — *TI Glossary*.

This glossary lists and explains terms, acronyms, and definitions.

13 Mechanical, Packaging, and Orderable Information

The following pages include mechanical, packaging, and orderable information. This information is the most current data available for the designated devices. This data is subject to change without notice and revision of this document. For browser-based versions of this data sheet, refer to the left-hand navigation.

PACKAGING INFORMATION

| Orderable Device | Status (1) | Package Type | Package Drawing | Pins | Package Qty | Eco Plan (2) | Lead/Ball Finish (6) | MSL Peak Temp (3) | Op Temp (°C) | Device Marking (4/5) | Samples |
|------------------|---------------|--------------|-----------------|------|-------------|-------------------------|-------------------------|----------------------|--------------|-------------------------|-------------------------|
| DIR9001PW | ACTIVE | TSSOP | PW | 28 | 50 | Green (RoHS & no Sb/Br) | CU NIPDAU | Level-1-260C-UNLIM | -40 to 85 | DIR9001 | Samples |
| DIR9001PWR | ACTIVE | TSSOP | PW | 28 | 2000 | Green (RoHS & no Sb/Br) | CU NIPDAU | Level-1-260C-UNLIM | -40 to 85 | DIR9001 | Samples |

(1) The marketing status values are defined as follows:

ACTIVE: Product device recommended for new designs.

LIFEBUY: TI has announced that the device will be discontinued, and a lifetime-buy period is in effect.

NRND: Not recommended for new designs. Device is in production to support existing customers, but TI does not recommend using this part in a new design.

PREVIEW: Device has been announced but is not in production. Samples may or may not be available.

OBSOLETE: TI has discontinued the production of the device.

(2) **RoHS:** TI defines "RoHS" to mean semiconductor products that are compliant with the current EU RoHS requirements for all 10 RoHS substances, including the requirement that RoHS substance do not exceed 0.1% by weight in homogeneous materials. Where designed to be soldered at high temperatures, "RoHS" products are suitable for use in specified lead-free processes. TI may reference these types of products as "Pb-Free".

RoHS Exempt: TI defines "RoHS Exempt" to mean products that contain lead but are compliant with EU RoHS pursuant to a specific EU RoHS exemption.

Green: TI defines "Green" to mean the content of Chlorine (Cl) and Bromine (Br) based flame retardants meet JS709B low halogen requirements of <=1000ppm threshold. Antimony trioxide based flame retardants must also meet the <=1000ppm threshold requirement.

(3) MSL, Peak Temp. - The Moisture Sensitivity Level rating according to the JEDEC industry standard classifications, and peak solder temperature.

(4) There may be additional marking, which relates to the logo, the lot trace code information, or the environmental category on the device.

(5) Multiple Device Markings will be inside parentheses. Only one Device Marking contained in parentheses and separated by a "~" will appear on a device. If a line is indented then it is a continuation of the previous line and the two combined represent the entire Device Marking for that device.

(6) Lead/Ball Finish - Orderable Devices may have multiple material finish options. Finish options are separated by a vertical ruled line. Lead/Ball Finish values may wrap to two lines if the finish value exceeds the maximum column width.

Important Information and Disclaimer:The information provided on this page represents TI's knowledge and belief as of the date that it is provided. TI bases its knowledge and belief on information provided by third parties, and makes no representation or warranty as to the accuracy of such information. Efforts are underway to better integrate information from third parties. TI has taken and continues to take reasonable steps to provide representative and accurate information but may not have conducted destructive testing or chemical analysis on incoming materials and chemicals. TI and TI suppliers consider certain information to be proprietary, and thus CAS numbers and other limited information may not be available for release.

In no event shall TI's liability arising out of such information exceed the total purchase price of the TI part(s) at issue in this document sold by TI to Customer on an annual basis.

OTHER QUALIFIED VERSIONS OF DIR9001 :

- Automotive: [DIR9001-Q1](#)

NOTE: Qualified Version Definitions:

- Automotive - Q100 devices qualified for high-reliability automotive applications targeting zero defects

TAPE AND REEL INFORMATION



QUADRANT ASSIGNMENTS FOR PIN 1 ORIENTATION IN TAPE



*All dimensions are nominal

| Device | Package Type | Package Drawing | Pins | SPQ | Reel Diameter (mm) | Reel Width W1 (mm) | A0 (mm) | B0 (mm) | K0 (mm) | P1 (mm) | W (mm) | Pin1 Quadrant |
|------------|--------------|-----------------|------|------|--------------------|--------------------|---------|---------|---------|---------|--------|---------------|
| DIR9001PWR | TSSOP | PW | 28 | 2000 | 330.0 | 16.4 | 6.9 | 10.2 | 1.8 | 12.0 | 16.0 | Q1 |

TAPE AND REEL BOX DIMENSIONS



*All dimensions are nominal

| Device | Package Type | Package Drawing | Pins | SPQ | Length (mm) | Width (mm) | Height (mm) |
|------------|--------------|-----------------|------|------|-------------|------------|-------------|
| DIR9001PWR | TSSOP | PW | 28 | 2000 | 350.0 | 350.0 | 43.0 |

MECHANICAL DATA

PW (R-PDSO-G28)

PLASTIC SMALL OUTLINE

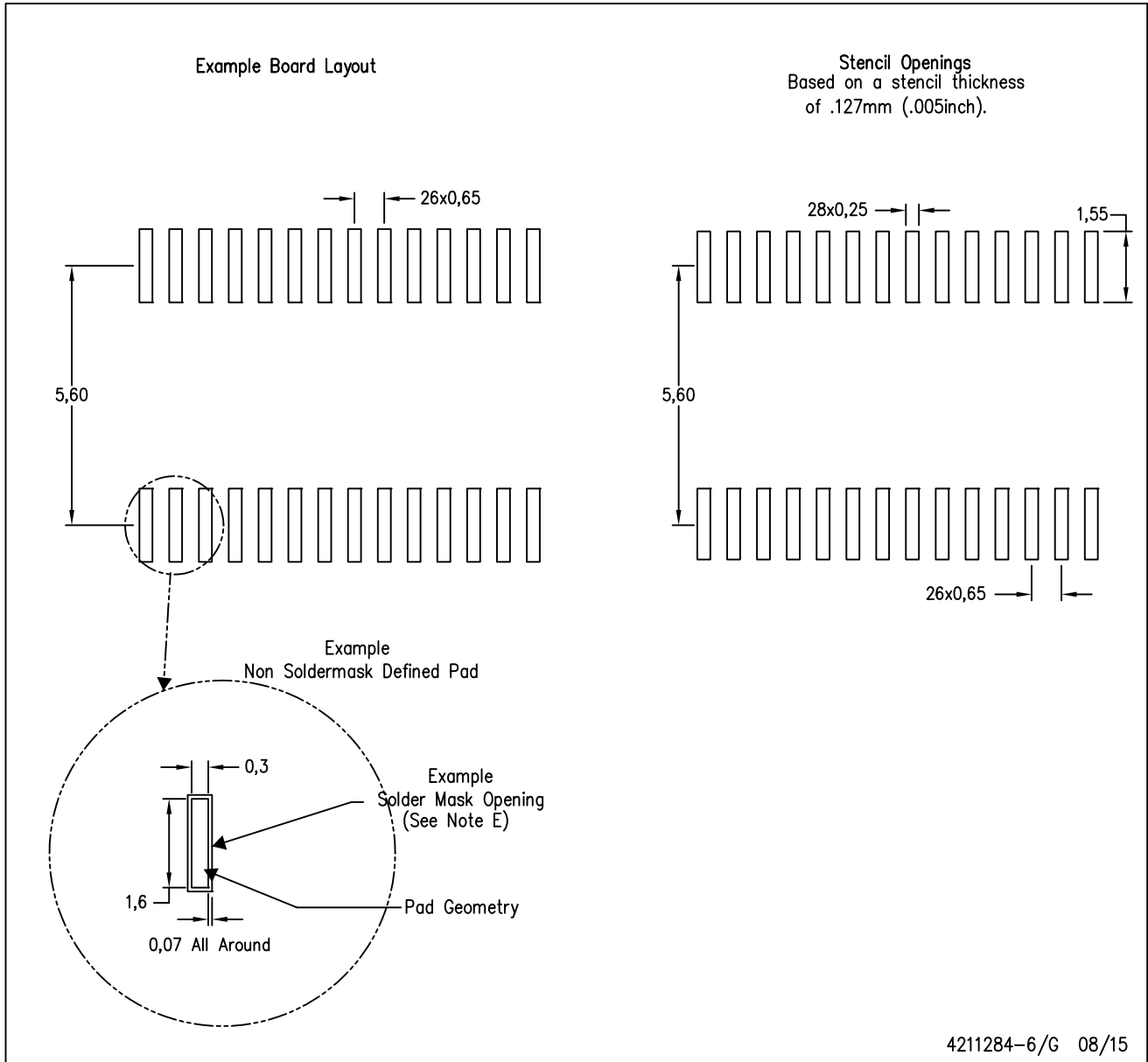


4040064-7/G 02/11

- NOTES:
- A. All linear dimensions are in millimeters. Dimensioning and tolerancing per ASME Y14.5M-1994.
 - B. This drawing is subject to change without notice.
 - C. Body length does not include mold flash, protrusions, or gate burrs. Mold flash, protrusions, or gate burrs shall not exceed 0,15 each side.
 - D. Body width does not include interlead flash. Interlead flash shall not exceed 0,25 each side.
 - E. Falls within JEDEC MO-153

PW (R-PDSO-G28)

PLASTIC SMALL OUTLINE



- NOTES:
- A. All linear dimensions are in millimeters.
 - B. This drawing is subject to change without notice.
 - C. Publication IPC-7351 is recommended for alternate design.
 - D. Laser cutting apertures with trapezoidal walls and also rounding corners will offer better paste release. Customers should contact their board assembly site for stencil design recommendations. Refer to IPC-7525 for other stencil recommendations.
 - E. Customers should contact their board fabrication site for solder mask tolerances between and around signal pads.

IMPORTANT NOTICE AND DISCLAIMER

TI PROVIDES TECHNICAL AND RELIABILITY DATA (INCLUDING DATASHEETS), DESIGN RESOURCES (INCLUDING REFERENCE DESIGNS), APPLICATION OR OTHER DESIGN ADVICE, WEB TOOLS, SAFETY INFORMATION, AND OTHER RESOURCES "AS IS" AND WITH ALL FAULTS, AND DISCLAIMS ALL WARRANTIES, EXPRESS AND IMPLIED, INCLUDING WITHOUT LIMITATION ANY IMPLIED WARRANTIES OF MERCHANTABILITY, FITNESS FOR A PARTICULAR PURPOSE OR NON-INFRINGEMENT OF THIRD PARTY INTELLECTUAL PROPERTY RIGHTS.

These resources are intended for skilled developers designing with TI products. You are solely responsible for (1) selecting the appropriate TI products for your application, (2) designing, validating and testing your application, and (3) ensuring your application meets applicable standards, and any other safety, security, or other requirements. These resources are subject to change without notice. TI grants you permission to use these resources only for development of an application that uses the TI products described in the resource. Other reproduction and display of these resources is prohibited. No license is granted to any other TI intellectual property right or to any third party intellectual property right. TI disclaims responsibility for, and you will fully indemnify TI and its representatives against, any claims, damages, costs, losses, and liabilities arising out of your use of these resources.

TI's products are provided subject to TI's Terms of Sale (www.ti.com/legal/termsofsale.html) or other applicable terms available either on ti.com or provided in conjunction with such TI products. TI's provision of these resources does not expand or otherwise alter TI's applicable warranties or warranty disclaimers for TI products.

Mailing Address: Texas Instruments, Post Office Box 655303, Dallas, Texas 75265
Copyright © 2019, Texas Instruments Incorporated