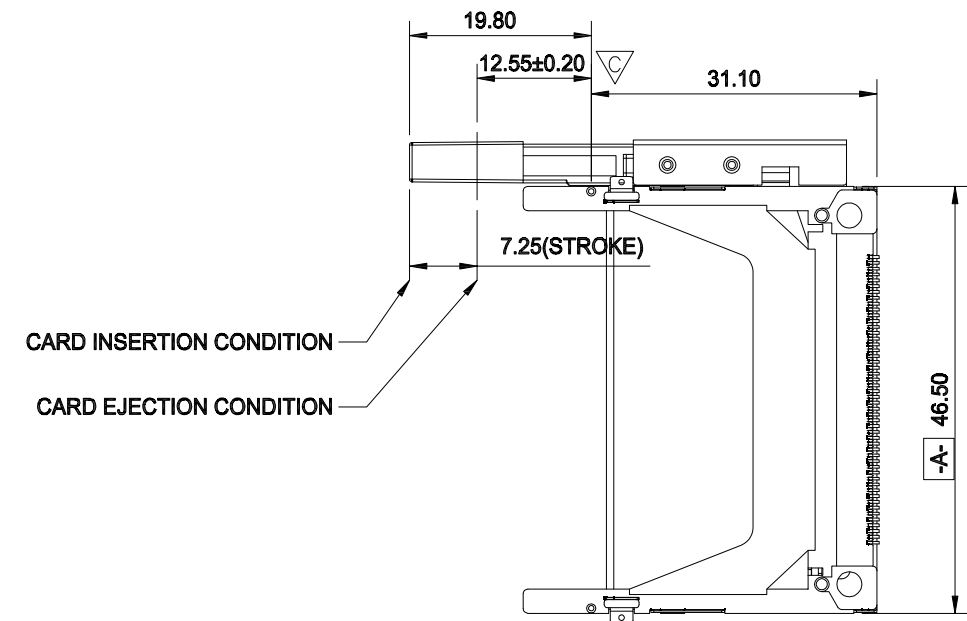
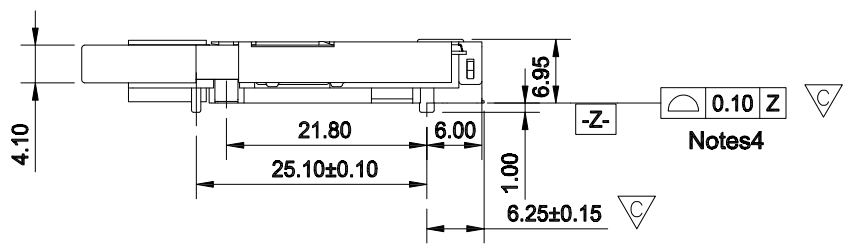


| PIN NUMBER     | DIM. L(PIN LENGTH)±0.15 |
|----------------|-------------------------|
| 25, 26         | 3.50                    |
| ALL OTHER PINS | 4.25                    |
| 1,13,38,50     | 5.00                    |



THE PUSH BUTTON POSITION



NOTE: DIMENSIONAL MARK  $\nabla$  SHALL BE CHECKED BY O.Q.C.

| REV | ECN NO. | NAME | DATE |
|-----|---------|------|------|
| A   |         |      |      |

| TOLERANCE |        |
|-----------|--------|
| LINEAR    | ANGLES |
| X.±0.30   | X'±    |
| .X±0.20   | .X'±   |
| .XX±0.15  | .XX'±  |
| .XXX±0.08 | .XXX'± |

**UMax conn** 东莞市友贸实业有限公司  
DONGGUAN UMAXCONN ENTERPRISE LIMITED

APPD: Jason MAT'L:  
CHKD: Schumi FINISH:  
DRWN: Wei Renwen Q'TY:

|          |       |  |     |       |        |
|----------|-------|--|-----|-------|--------|
| TITLE:   |       | CF ASS'Y,BELOW MOUNT<br>LEFT PUSH, S/O=0mm |     |       |        |
| PART NO. |       | CFH-2529                                   |     |       |        |
| DWG NO.  |       | CF107008                                   |     |       |        |
| UNITS    | SCALE | SHEET                                      | REV |       |        |
|          |       |  | MM  | 2 : 1 | 1 OF 1 |

**NOTES :**

1. THIS IS THE ASSEMBLY TYPE WHICH INCLUDES HEADER 2530-E1501 AND EJECTOR CFH-38690R.

2. MATERIAL :

INSULATOR : SUMIKASUPER LCP E6006L.

FLAMMABILITY RATING: UL94V-0

COLOR: IVORY

CONTACT : BRASS C2680R-H, t=0.45mm.

GROUND MOUNTING EAR: PHOSPHER BRONZE C5191R-H, t=0.20mm.

COVER: STAINLESS STEEL, SUS304, t=0.30mm.

ARM: STAINLESS STEEL, SUS301, t=0.35mm.

PUSH ROD : SUMIKASUPER LCP E6006L. REGRIND MATERIAL=25% MAX.

FLAMMABILITY RATING: UL94V-0

COLOR: BLACK.

RIVET : C3604.

3. PLATING :

CONTACT AREA: SELECTIVE GOLD (SEE P/N DESCRIPTION)

UNDER PLATING: 50u" NICKEL OVERALL

SOLDER TAIL AREA: 100u" TIN/LEAD OR 100u" MATTE TIN

GROUND MOUNT EAR CONTACT AREA: GOLD FLASH.

GROUND MOUNT EAR AREA: 100u" TIN/LEAD OR 100u" MATTE TIN

4. SOLDER TAILS TO BE WITHIN 0.05 UPWARD AND 0.2 DOWNWARD FROM Z-DATUM PLACE, AND COPLANARITY OF SOLDER TAILS TO BE WITHIN 0.10mm.

5. PRODUCT SPEC: GS-12-240.

6. PACKAGING SPEC: GS-14-1040.

7. Part Number Description:

P/N: CFH-2529LBMXXMNX

PACKAGE OPTION:  
3: TAPE & REEL.  
0: TRAY.

GOLD PLATING:  
10: 10u" GOLD PLATE  
30: 30u" GOLD PLATE

8. THIS PRODUCT (CFH-2529-XXXXXX) MEETS THE EUROPEAN UNION DIRECTIVE AS DESCRIBED IN GS-22-008.

9. THIS PRODUCT (CFH-2529-XXXXXX) MEETS THE EUROPEAN UNION DIRECTIVE AS DESCRIBED IN GS-22-008 EXCEPT FOR Pb.

10. THE HOUSING WILL WITHSTAND EXPOSURE TO 260°C PEAK TEMPERATURE FOR 10 SECONDS IN A CONVECTION, IR OR VAPER PHASE REFLOW OVEN.

| REV | ECN NO. | NAME | DATE | TOLERANCE |        | APPD: Jason | MAT'L: | CHKD: Schumi | FINISH: | DRWN: Wei Renwen | Q'TY: | TITLE: CF ASS'Y,BELOW MOUNT LEFT PUSH, S/O=0mm |          |         |          |
|-----|---------|------|------|-----------|--------|-------------|--------|--------------|---------|------------------|-------|--|----------|---------|----------|
|     |         |      |      | LINEAR    | ANGLES |             |        |              |         |                  |       | PART NO.                                       | CFH-2529 | DWG NO. | CF107008 |
| A   |         |      |      | .XX±0.15  | .XX°±  |             |        |              |         |                  |       | MM   | 2 : 2    | 1 OF 1  | A        |
|     |         |      |      | .XXX±0.08 | .XXX°± |             |        |              |         |                  |       |  |          |         |          |

**UMax** 东莞市友贸实业有限公司  
**conn** DONGGUAN UMAXCONN ENTERPRISE LIMITED

|  |  |          |        |
|--|--|----------|--------|
| TITLE: CF ASS'Y,BELOW MOUNT LEFT PUSH, S/O=0mm |  |          |        |
| PART NO.                                       |  | CFH-2529 |        |
| DWG NO.  |  | CF107008 |        |
|  |  | UNITS    | SCALE  |
|  |  | MM       | 2 : 2  |
|  |  | SHEET    | 1 OF 1 |
|  |  | REV      | A      |