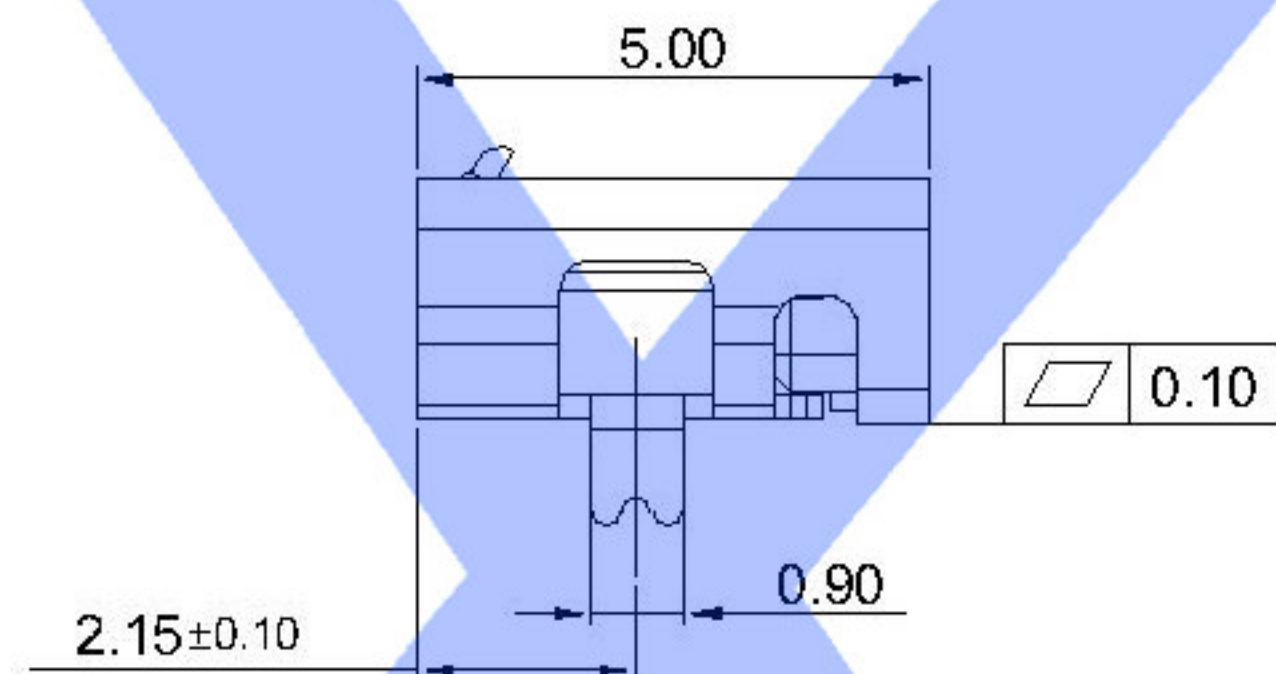
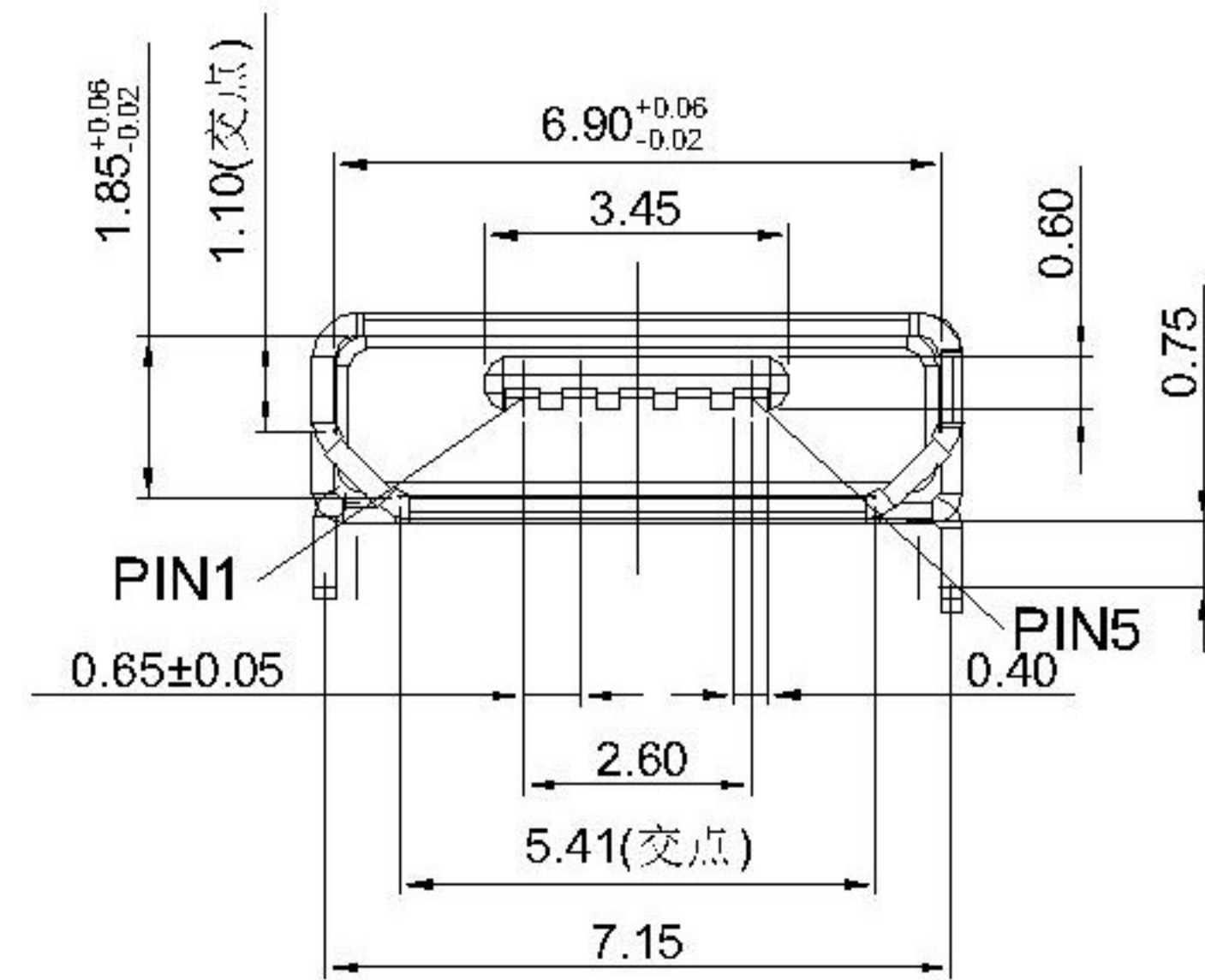


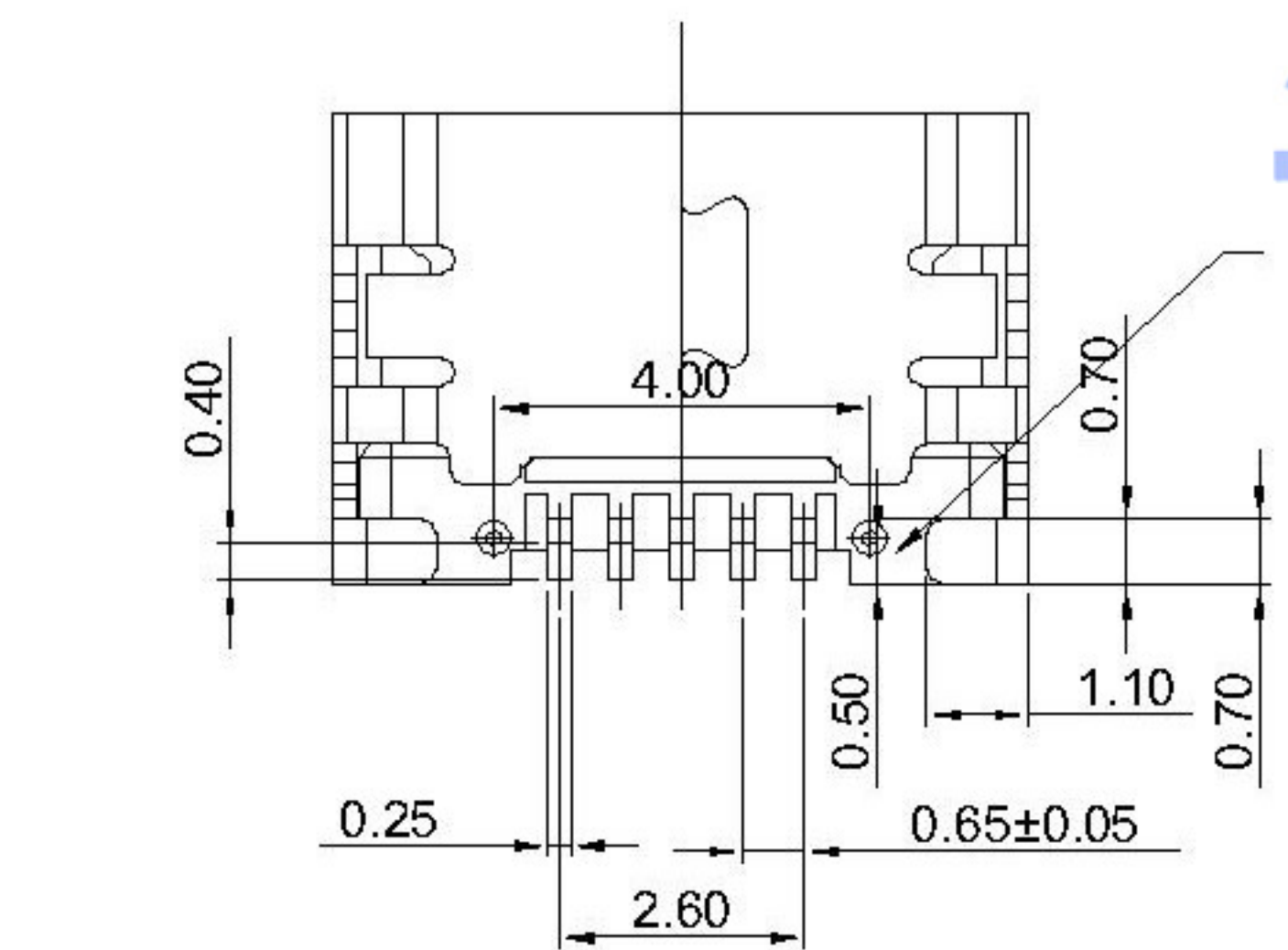
Scrolls (S)

Flat (F)

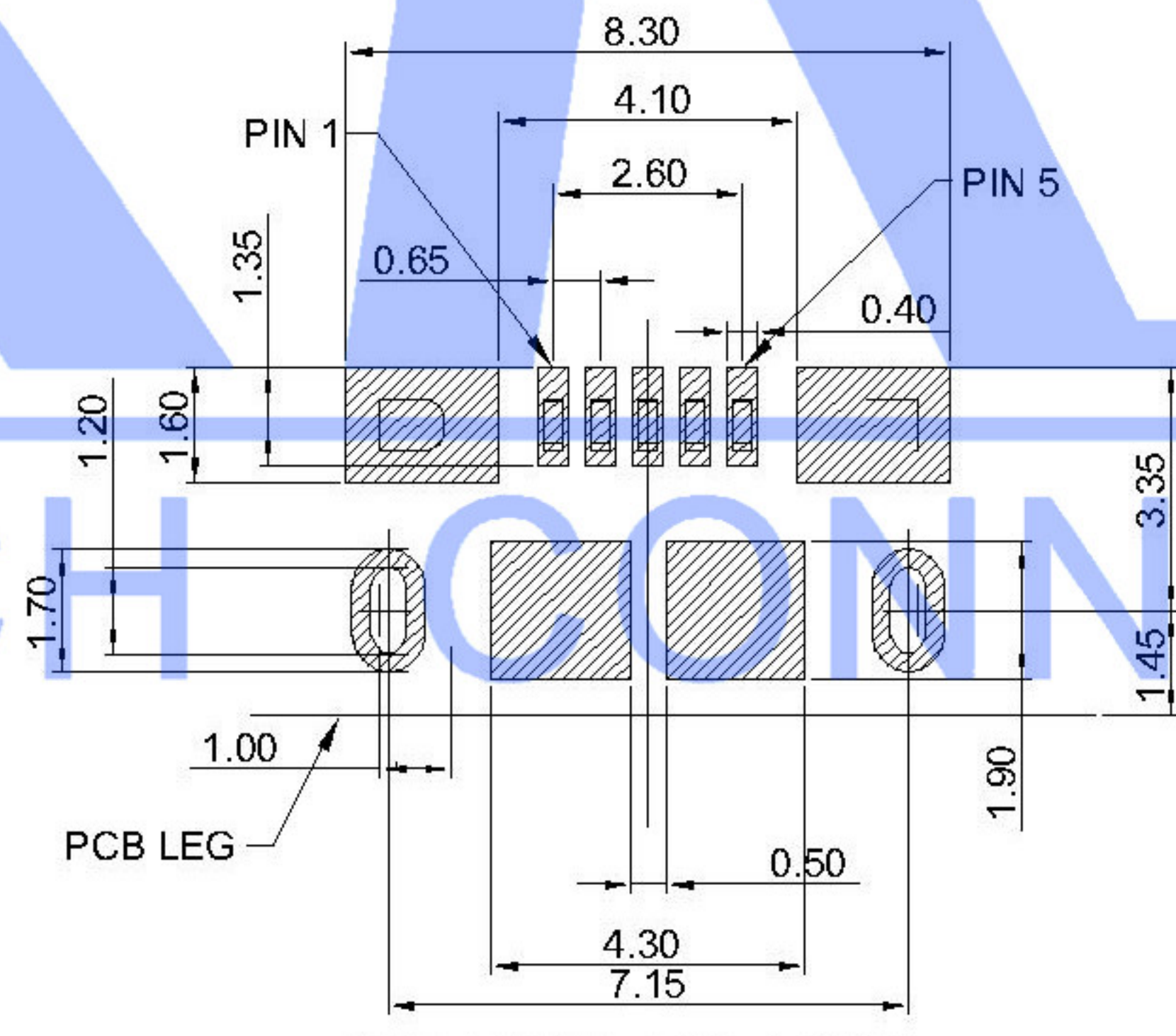


NOTES:

- MATERIAL:  
INSULATOR: HI-TEMP PLASTIC UL 94V-0; BLACK.  
CONTACT: COPPER ALLOY(T=0.15MM).
- FINISH:  
CONTACT: Au PLATED ALL OVER NICKEL  
SHELL: MATTE Sn PLATED OVER NICKEL
- ELECTRICAL CHARACTERISTICS:  
CURRENT RATING: 1.0 A  
VOLTAGE RATING: 30 V  
DIELECTRIC WITHSTANDING VOLTAGE: AC500V R.M.S.  
INSULATION RESISTANCE: 100 MΩ MINIMUM.  
CONTACT RESISTANCE: 30 mΩ MAXIMUM.
- ENVIRONMENTAL:  
OPERATING TEMPERATURE: -20°C~+85°C.



1:With 2:Without



RECOMMENDED P.C.B. LAYOUT  
TOP VIEW (TOLRANCE: ±0.05)

U254-05XX-4BH81-X-X-X

- 1: Au 1U"
- 6: Au 30U"
- T: TIN
- N: NICKEL
- B: Brass S: Sus
- 1: With 2: Without
- S: Scrolls F: Flat
- B: BLACK W: WHITE
- 1: PBT
- 2: PA6T
- 3: PA9T
- 4: LCP

					DSND		DATE		SCALE: N/A	MODEL TYPE: MICRO USB
					ANGLAR	±5°	DWN	DATE	VIEW:	PART NO.: U251-05XX-1BH81
					L ≤ 4	±0.2	CHKD	DATE	UNIT: mm	DWG NO.: U254-05XX-4BH81-XXX
					4 < L ≤ 16	±0.3	APPD	DATE	SIZE: A4	
					16 < L ≤ 63	±0.4				
					L > 63	±0.5				
					UNSPECIFIED TOLERANCES					
					XKB INDUSTRIAL PRECISION CO., LIMITED					
					WEIGHT	1.0g	SHEET	1/1	REVISION	A0