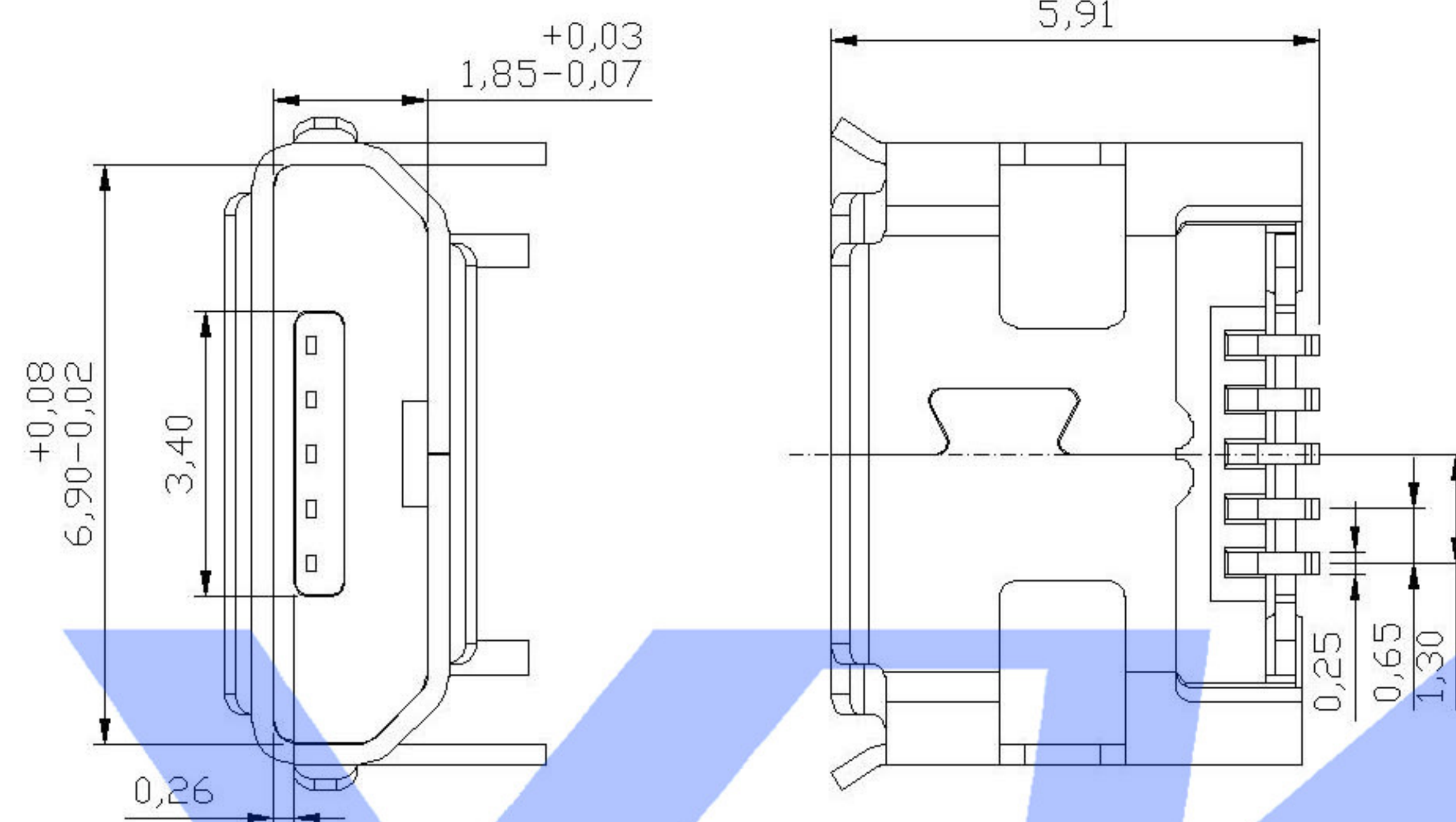


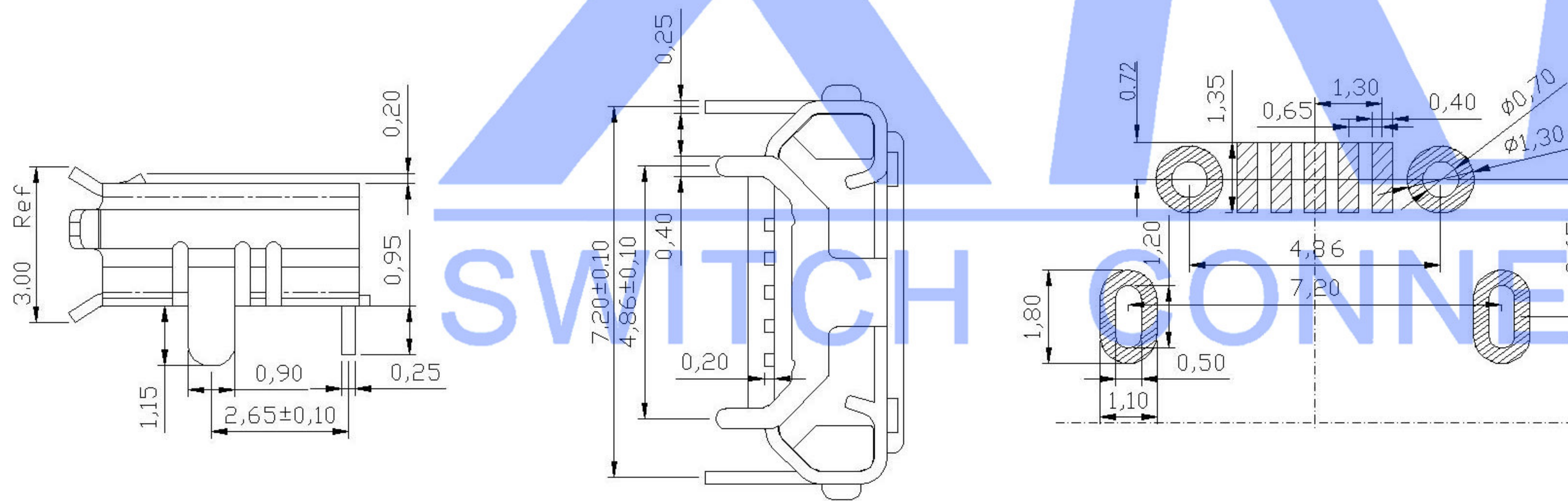
Scrolls (S)



Flat (F)

NOTES:

1. MATERIAL&FINISH:SEE TABLE A,;
2. SPECIALITY:
 - 2.1 RATED CURRENT:1.8A For Pin1.5
0.5A For Pin 2.3.4
 - 2.2 RATED VOLTAGE:30V
 - 2.3 CONTACT RESISTANCE:30mΩ Max
 - 2.4 INSULATION RESISTANCE:1000MΩ Min 500V DC
 - 2.5 DIELECTRIC WITHSTANDING VOLTAGE:100V AC 1Min.
 - 2.6 SOLDER ABILITY:255±5°C, 5±0.5S.
 - 2.7 DURABILITY:5000 CYCLES Min.
 - 2.8 OPERATING CONDITION:TEMPERATURE-40°C~+85°C;
HUMIDITY 80% R.H Max
3. MECHANICAL:
 - 3.1 INSERTION FORCE:35N Max
 - 3.2 EXTRACTION FORCE:8N Min
4. PLEASE CONTACT JITS SALES REPRESENTATIVE TO VERIFY PRODUCT DETAILS & AVAILABILITY



U254-05XX-4BH23-X-X-X

- 1:Au 1U"
- 6:Au 30U"
- T:TIN
- N:NICKEL
- B:Brass S:Sus
- 1:With 2:Without
- S:Scrolls F:Flat
- B:BLACK W:WHITE
- 1:PBT
- 2:PA6T
- 3:PA9T
- 4:LCP

						DSND		DATE		SCALE: N/A	MODEL TYPE: MICRO USB			
△X						DWN		DATE		VIEW:	PART NO.: U254-05XX-4BH23			
△X						CHKD		DATE		UNIT: mm	DWG NO.: U254-05XX-4BH23-XXX			
△X						APPD		DATE		SIZE: A4				
MARK	DESCRIPTION	DATE	REVISED	APPROVED	UNSPECIFIED TOLERANCES	XKB INDUSTRIAL PRECISION CO.,LIMITED					WEIGHT 1.0g	SHEET 1/1	REVISION A0	
REVISIONS														
www.xk-dg.cn www.1k0k.com www.1k0k.cn														