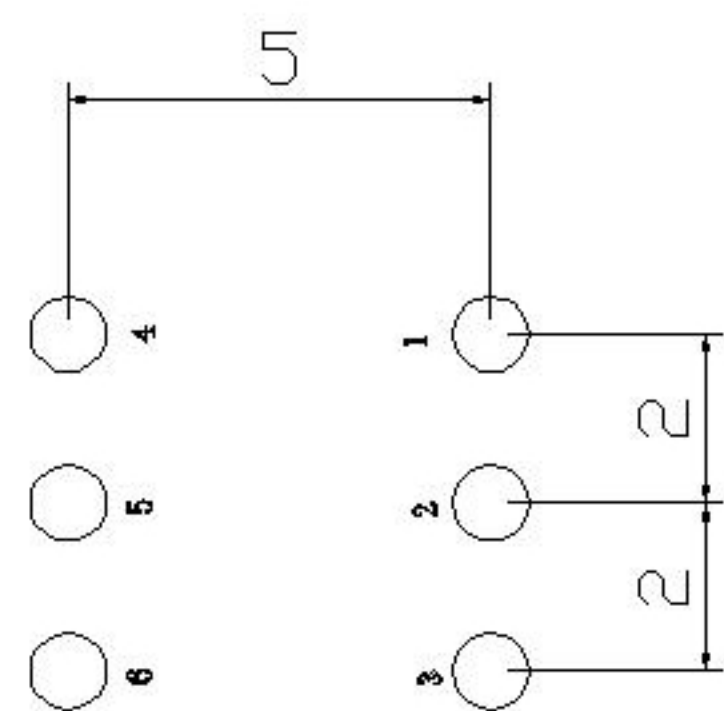
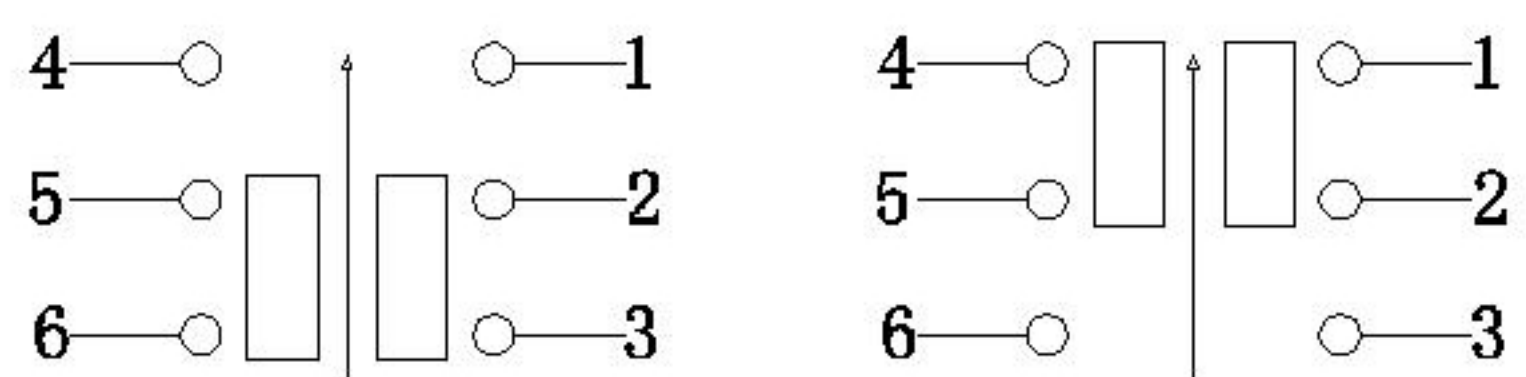


向视图



印制线路板



电路简图

常态: 2-3导通 5-6导通
按下: 1-2导通 4-6导通

FEATURES

- Light operating force.
- Long term low contact resistance.
- Momentary or latching operation.
- Short stroke 1.5mm to latch.
- Compact spacing on PCB of 7.0mm.

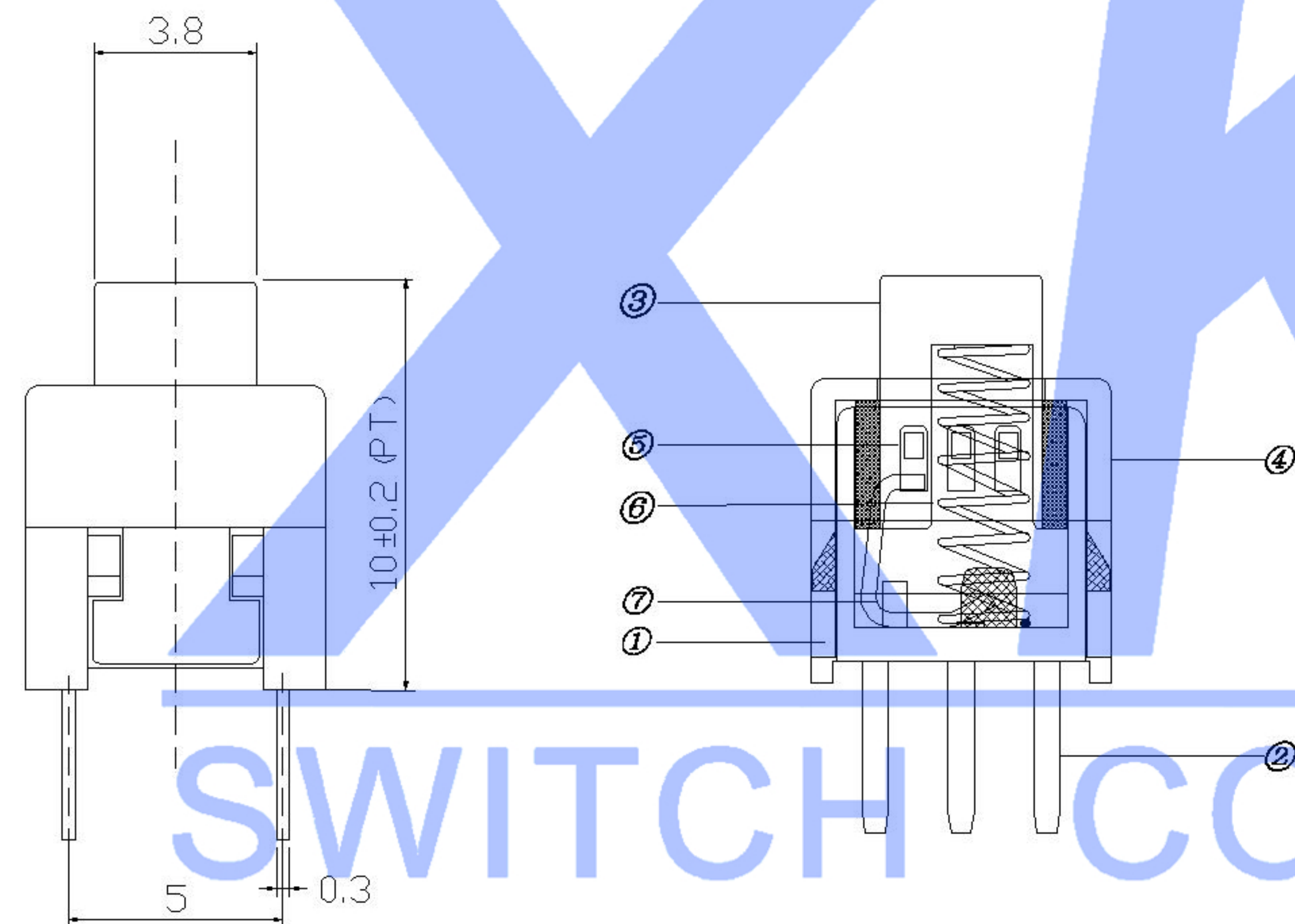
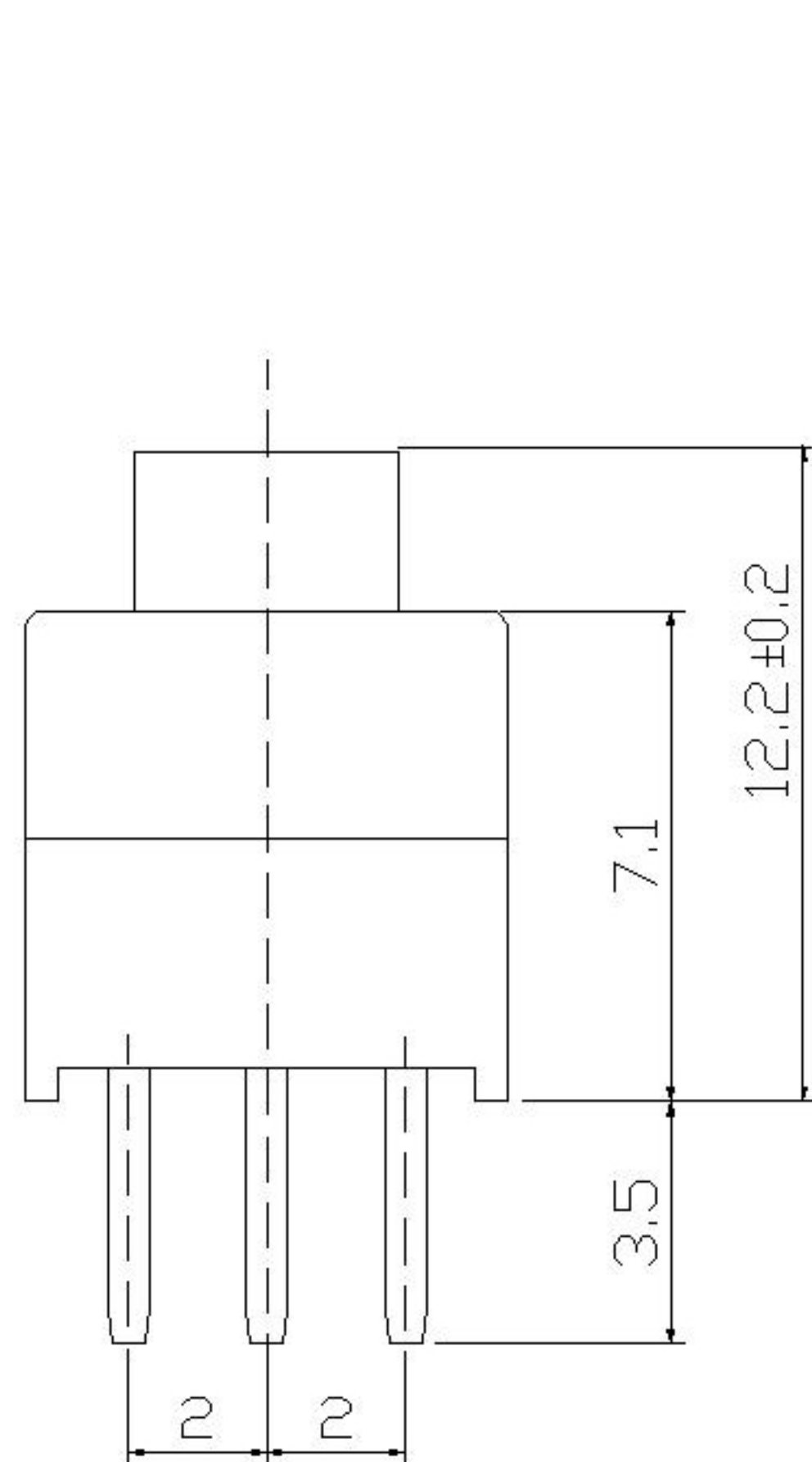
SPECIFICATIONS

1.ELECTRICAL

Contact rating	0.1 A, 30VDC
Contact resistance	50mWMax.
● Insulation resistance	100MMin. at 250VDC
● Dielectric strength	250VAC Min. for 60 sec.

2.MECHANICAL AND ENVIRONMENTAL

Temperature rating	Operating: -15 to +55 Storage: -25 to +65
● Operation force	160±80gf
● Stroke	Lock Stroke: 1.5±0.2mm Full Stroke: 2.5±0.2mm
● Operating life	full load: 1x10 ⁴ cycles no load: 1x10 ⁵ cycles
● Contact form	DPDT



SWITCH CONNECTOR

ITEM	PAPT NAMF	TER,NO	QTY	MATERIAL	FINISHING	REMARK
⑦	Contact	2	Phosphor bronze	ag Plated		
⑥	Terminal	6	Brass strip	ag Plated		
⑤	spring	1	SUS	Natural		
④	Base	1	POM			
③	Crochet Needle	1	SUS	Natural		
②	Cover	1	POM			
①	Keystake	1	POM			

PAPT NO	XKB7070-X-92
OPERATION	W:NO LOCK Z:LOCK

DSND	DATE	SCALE: N/A	MODEL TYPE: PUSH SWITCH
DWN	DATE	VIEW:	PART NO.: XKB7070
CHKD	DATE	UNIT: mm	DWG NO.: XKB7070-X-92
APPD	DATE	SIZE: A4	WEIGHT 1.0g
KXB INDUSTRIAL PRECISION CO.,LIMITED			SHEET 1/1
			REVISION A0

MARK	DESCRIPTION	DATE	REVISED	APPROVED	UNSPECIFIED TOLERANCES
ΔX					ANGULAR ±5°
ΔX					L ≤ 4 ±0.2
ΔX					4 < L ≤ 16 ±0.3
					16 < L ≤ 63 ±0.4
					L > 63 ±0.5