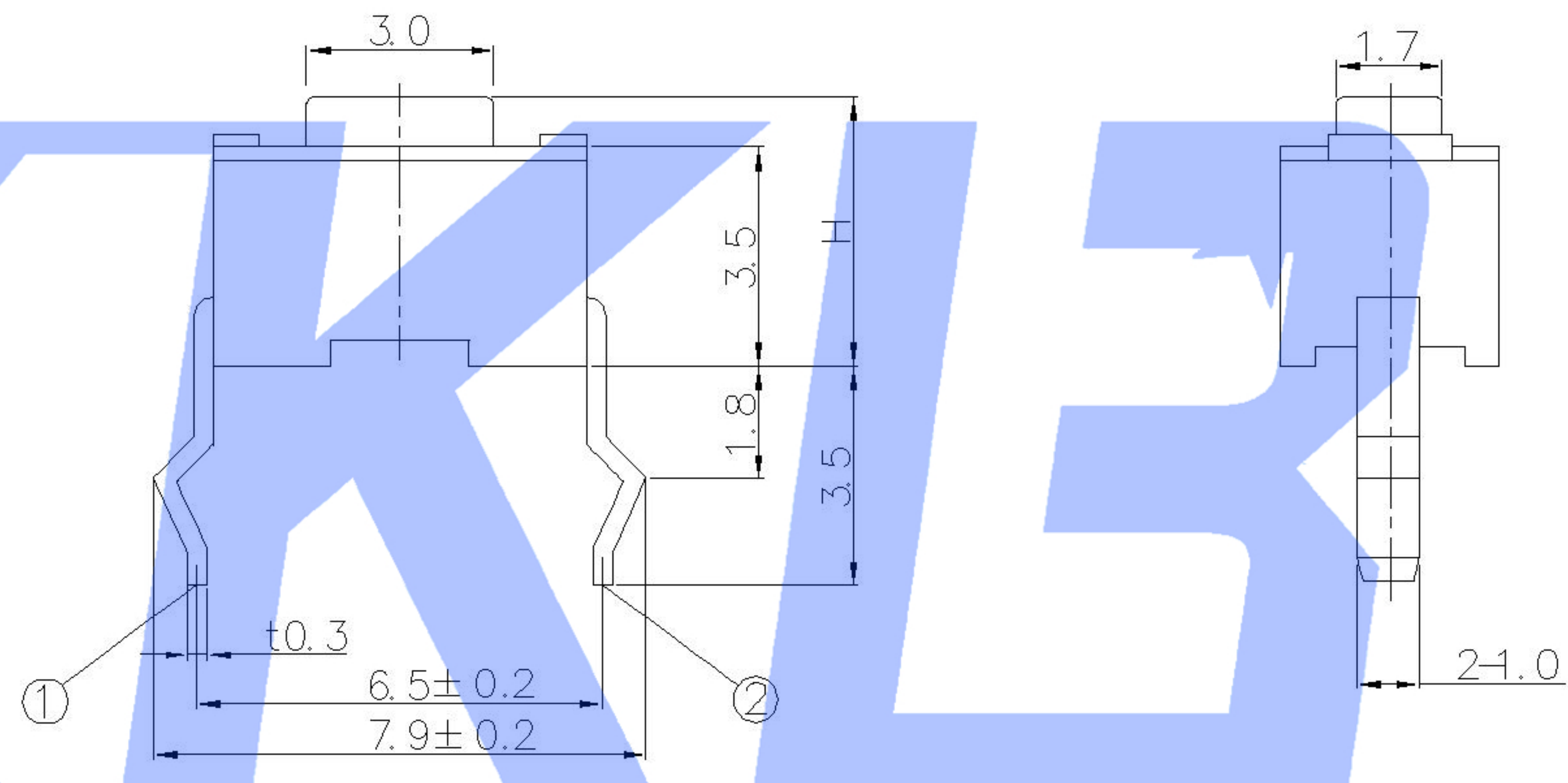
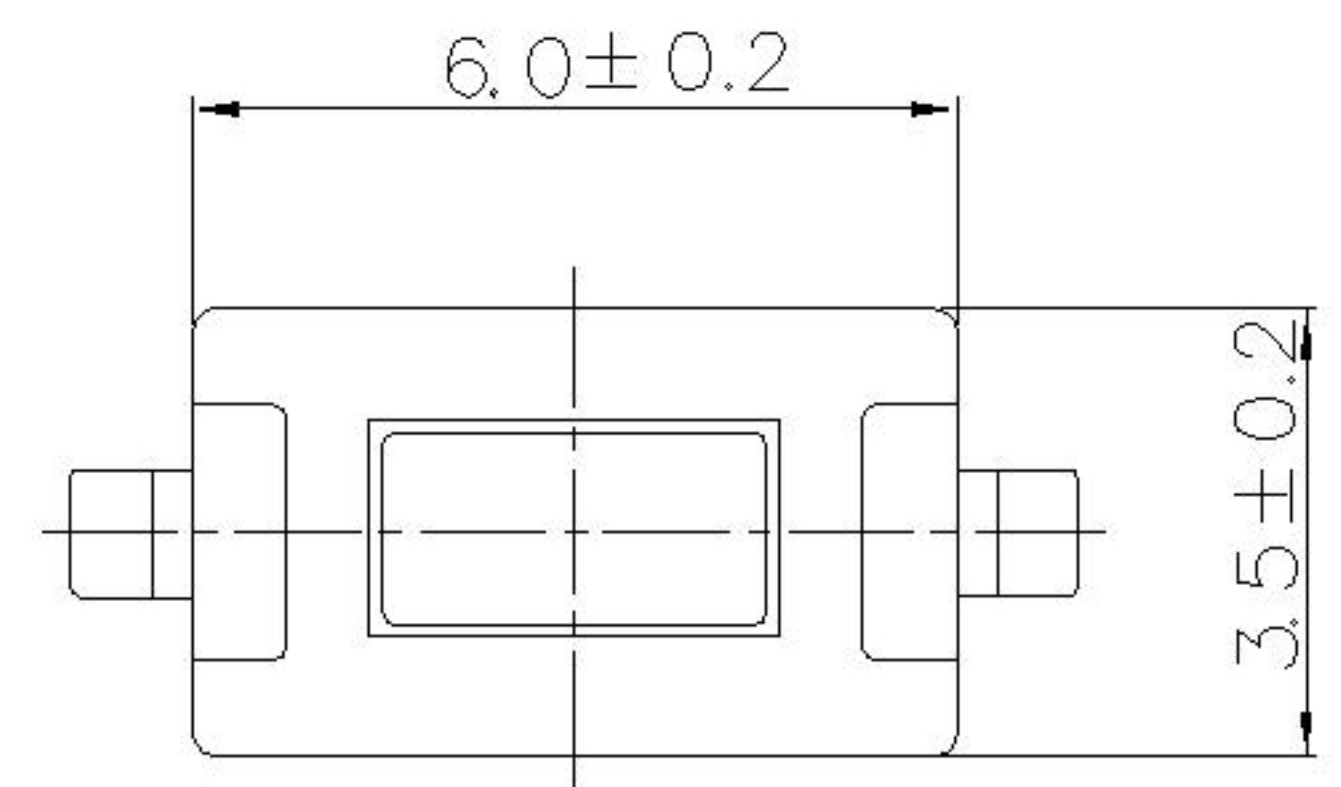


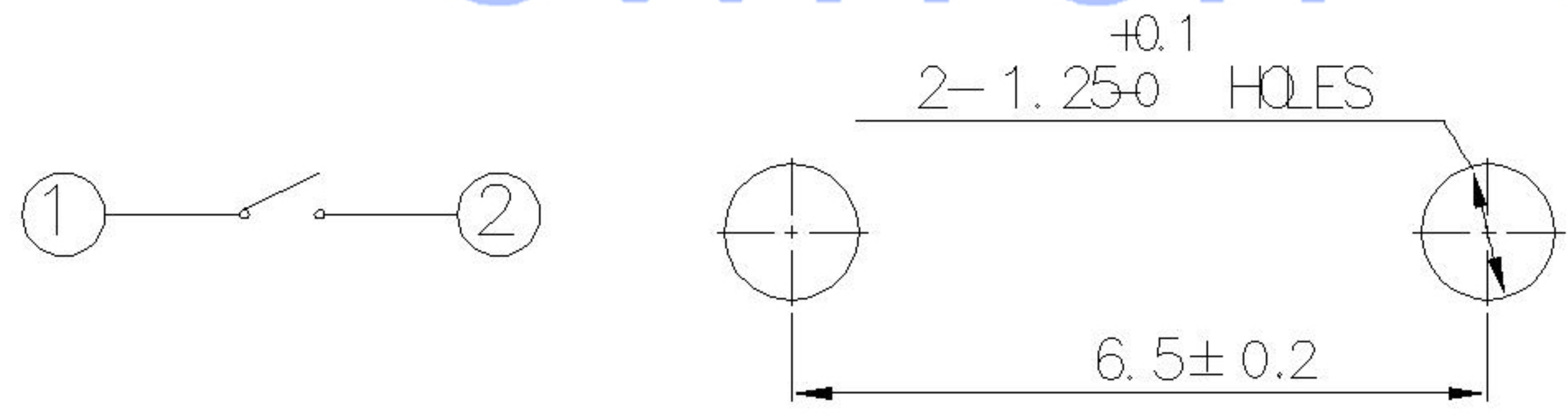
SPECIFICATION

Contact Rating 50mA, 12V DC
 Contact Resistance 100mΩ max.
 Insulation Resistance 100MΩ min. 500V DC
 Dielectric Strength 250V AC/1 minute
 Travel 0.25 mm
 Operating Temp. -25°C ~ +70°C
 Storage Temp. -30°C ~ +80°C



CIRCUIT DIAGRAM

P.C.B. MOUNTING HOLES



| | |
|-----------------|-------------------------|
| PAPT NO | TC-1101T-X-X-X |
| Operating Force | A:100gf B:160gf C:260gf |
| Height | A:H:4.3 B:H:5.0 |
| Yellow | B:Black W:White |

| | | | | | |
|--------------------------------------|--|------|--|------------|-----------------------------------|
| DSND | | DATE | | SCALE: N/A | MODEL TYPE: TACT SWITCH |
| DWN | | DATE | | VIEW: | PART NO.: |
| CHKD | | DATE | | UNIT: mm | DWG NO.: |
| APPD | | DATE | | SIZE: A4 | TC-1101T-XXX |
| UNSPECIFIED TOLERANCES | | | | | WEIGHT |
| XKB INDUSTRIAL PRECISION CO.,LIMITED | | | | | 1.0g |
| | | | | | SHEET |
| | | | | | 1/1 |
| | | | | | REVISION |
| | | | | | A0 |

| | | | | | | |
|---------------------------------------|-------------|------|---------|----------|-------------|------|
| ΔX | | | | | ANGLAR | ±5° |
| ΔX | | | | | L ≤ 4 | ±0.2 |
| ΔX | | | | | 4 < L ≤ 16 | ±0.3 |
| MARK | DESCRIPTION | DATE | REVISED | APPROVED | 16 < L ≤ 63 | ±0.4 |
| | | | | | L > 63 | ±0.5 |
| REVISIONS | | | | | | |
| www.xk-dg.cn www.1k0k.com www.1k0k.cn | | | | | | |