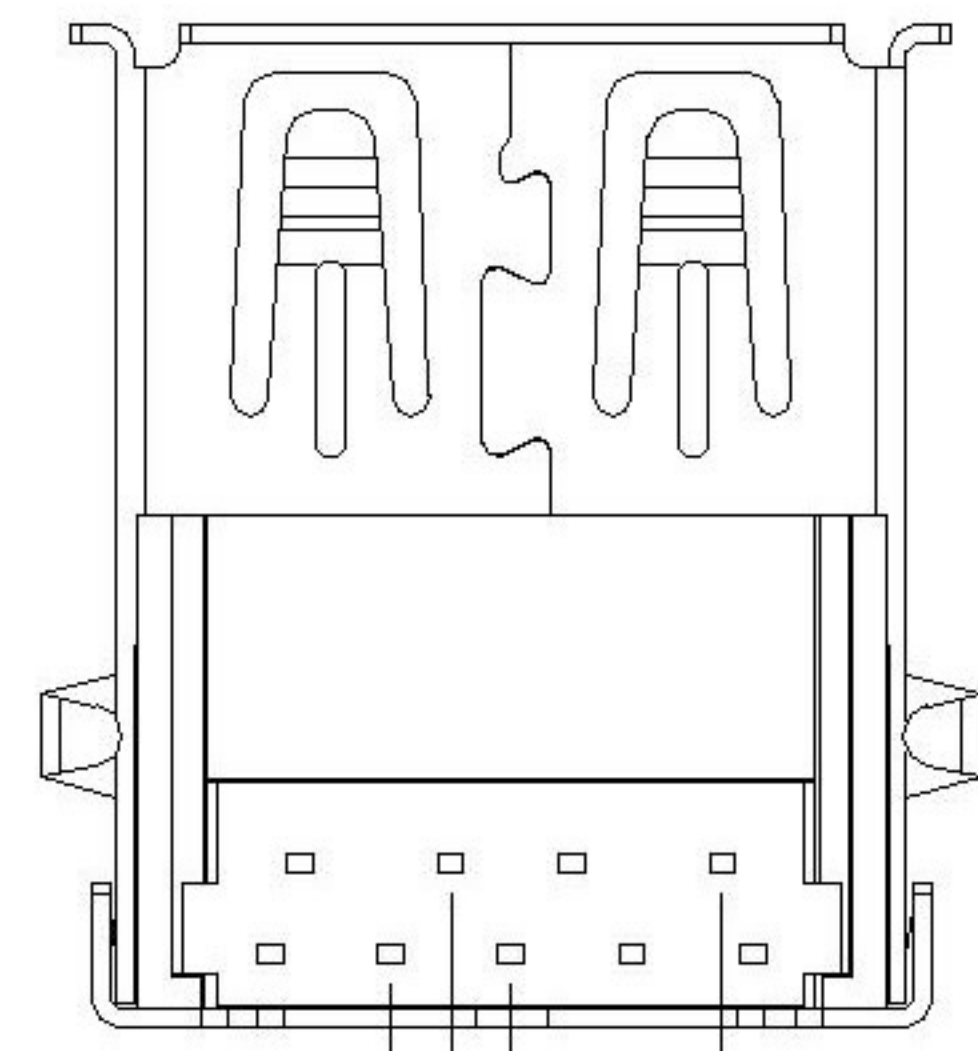
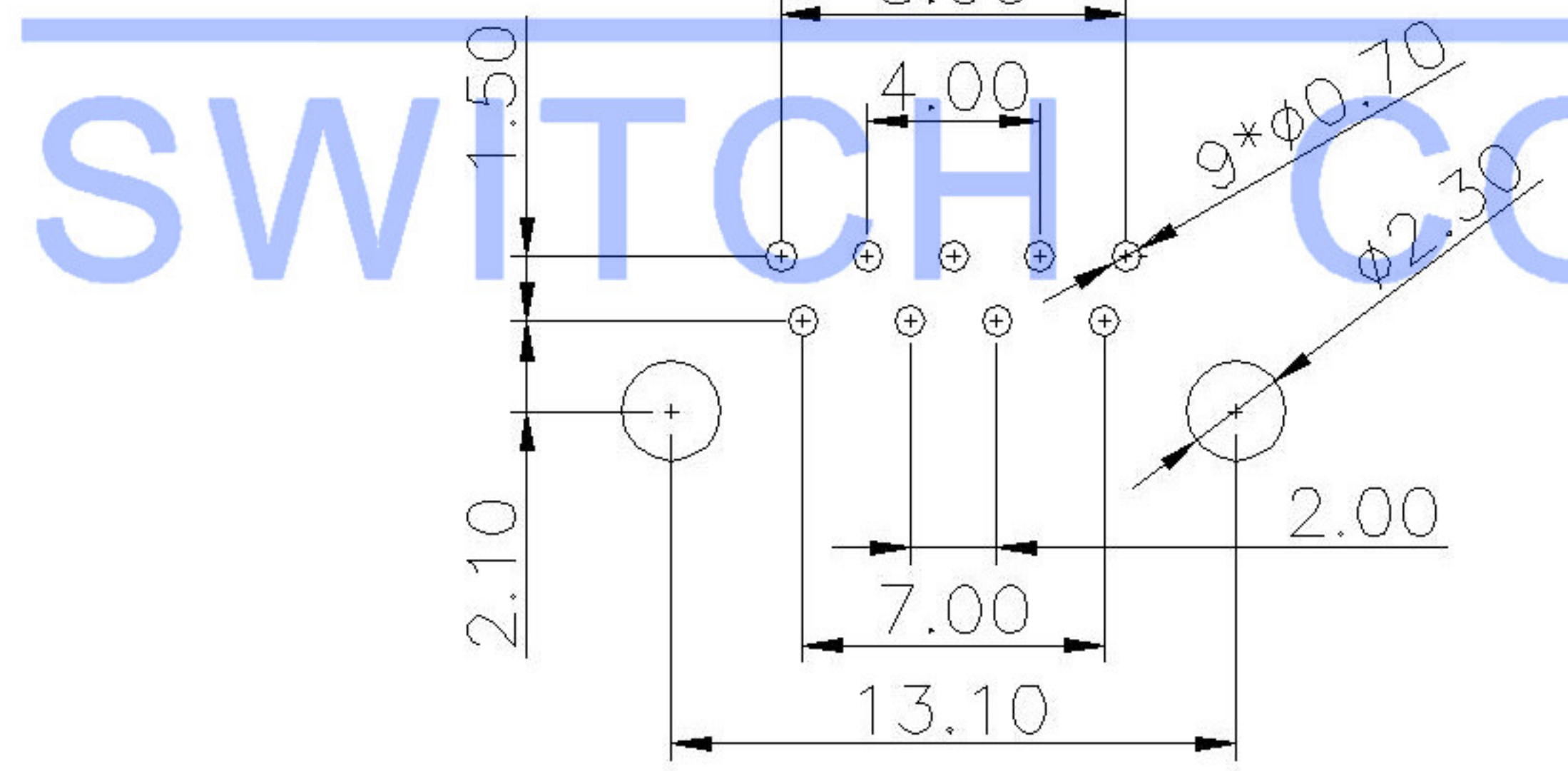


Flat (F)



Scrolls (S)

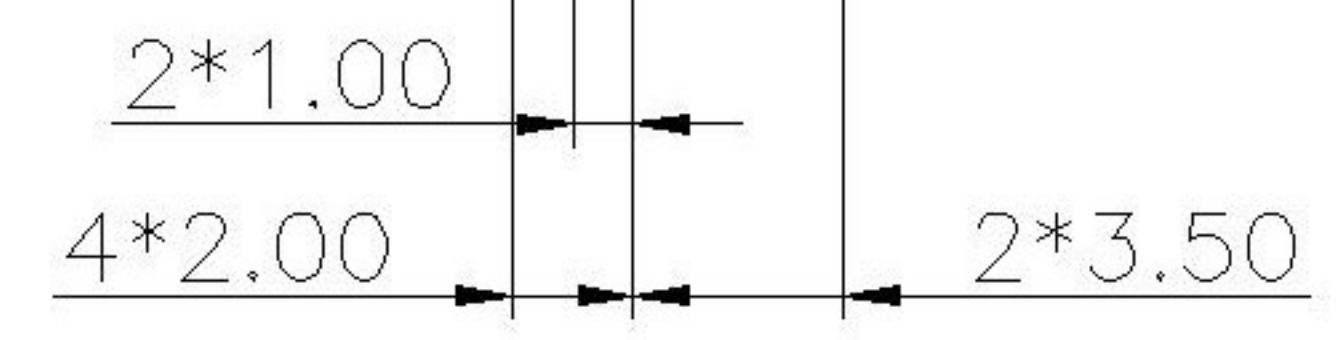
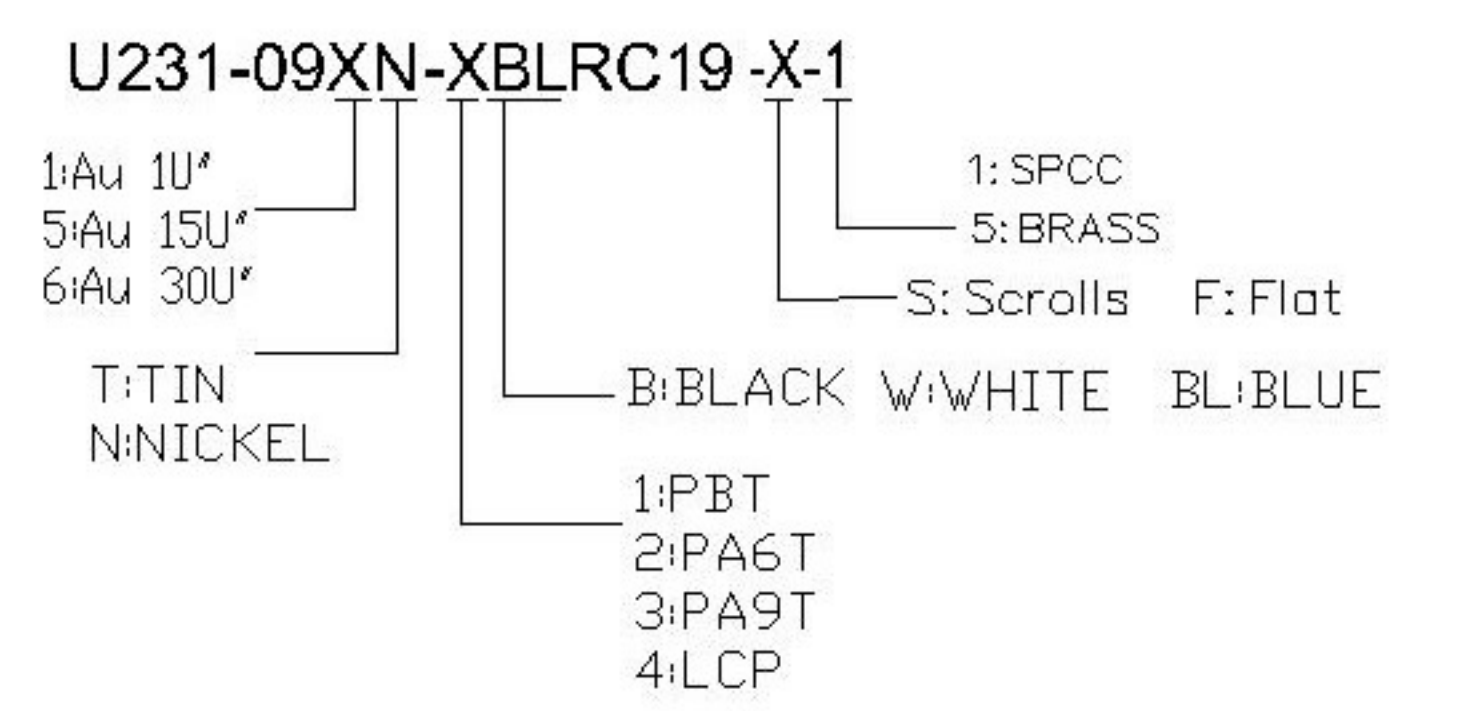


P C B

NOTES:

1. ELECTRICAL:
 - 1) CURRENT RATING: 1.8AMP;
 - 2) INSULATION RESISTANCE: 100MΩ MIN;
 - 3) CONTACT RESISTANCE: 50mΩ MAX;
 - 4) WITHSTANDING VOLTAGE: 100V AC;
 - 5) OPERATING TEMPERATURE: -55°C ~ +85°C.
2. Mechanical:
 - 1) Mating Force: 35N MAX
 - 2) Unmating Force: 10N MIN.
3. DIMENSIONS MARKED "▼" TO BE CHECKED BY Q.C & IPQC.

4. PART NO.



					ANGLAR	±5°	DSND		DATE		SCALE: N/A	MODEL TYPE:	USB 3.0		
					L ≤ 4	±0.2	DWN		DATE		VIEW:	PART NO.:			
					4 < L ≤ 16	±0.3	CHKD		DATE		UNIT: mm	DWG NO.:	U231-09XN-XBLRC19-X-1		
					16 < L ≤ 63	±0.4	APPD		DATE		SIZE: A4	WEIGHT	SHEET	REVISION	
					L > 63	±0.5						1.0g	1/1	A0	
REVISIONS					UNSPECIFIED TOLERANCES		KXB INDUSTRIAL PRECISION CO., LIMITED								
www.xk-dg.cn www.helloxkb.com www.helloxkb.cn															