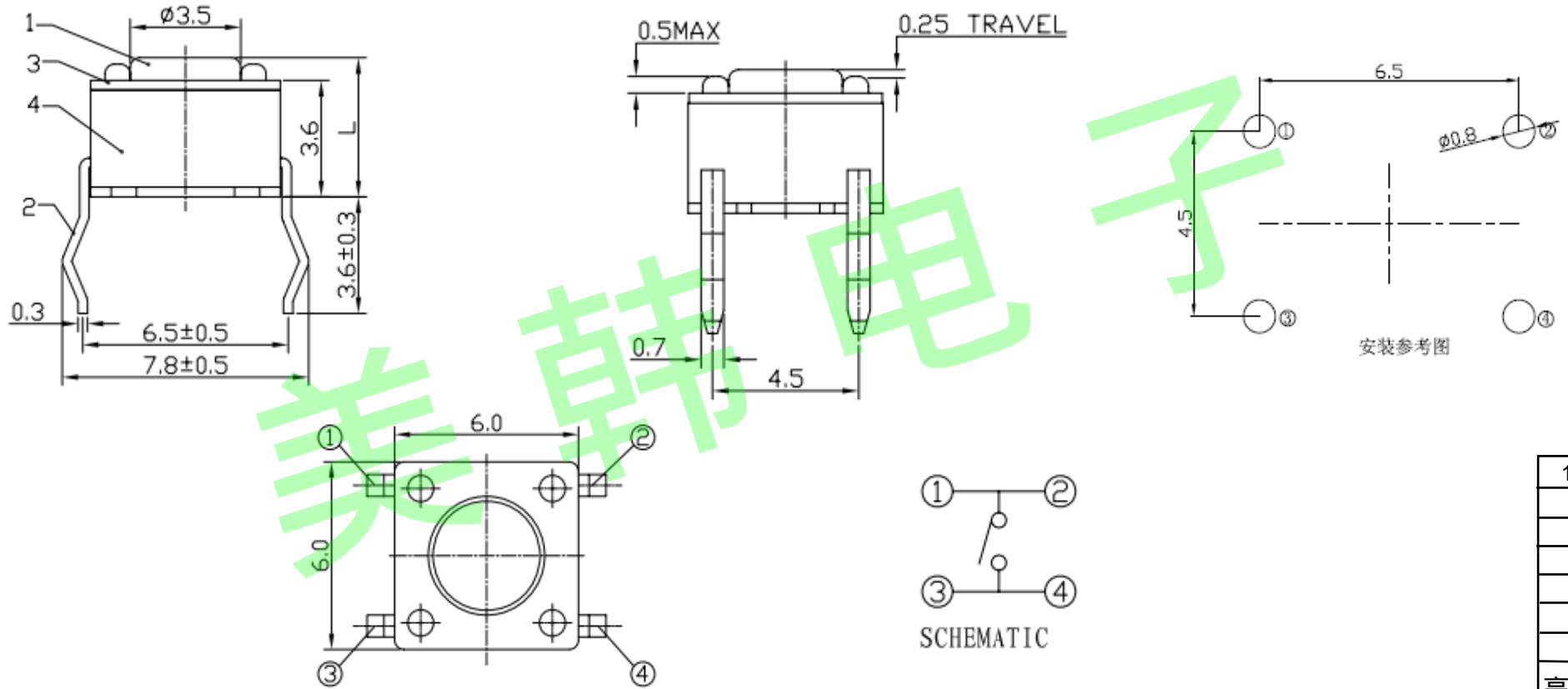


<http://www.usakro.com>



10.0
9.0
8.0
7.0
6.0
5.0
4.3
高度/L

<b>ITEM</b>		<b>PERFORMANCE</b>		<b>Dongguan Usakro Electronic Technology Co., Ltd.</b>	
Title		TACT SWITCH			
Module no		UK-B0202G80-DP25		<b>ITEM</b>	
Operating temperature range		-30°C to +85°C		<b>PERFORMANCE</b>	
Rating		50Ma 12V DC		Dielectric Strength(V)	
Insulation Resistanc(Mohms)		100MΩ min at 500V DC		ContactResistance(mohms)	
				life time	
				250V AC for 1 min	
				100mΩ max	
				10,000 Cycles	