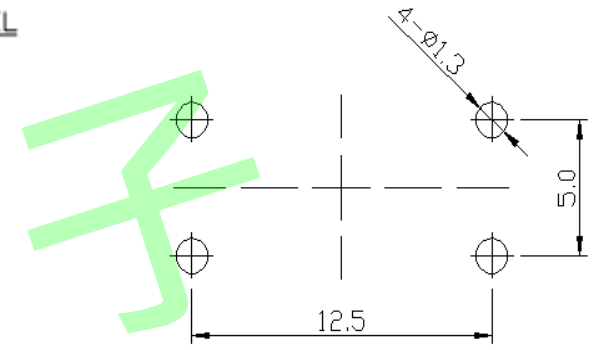
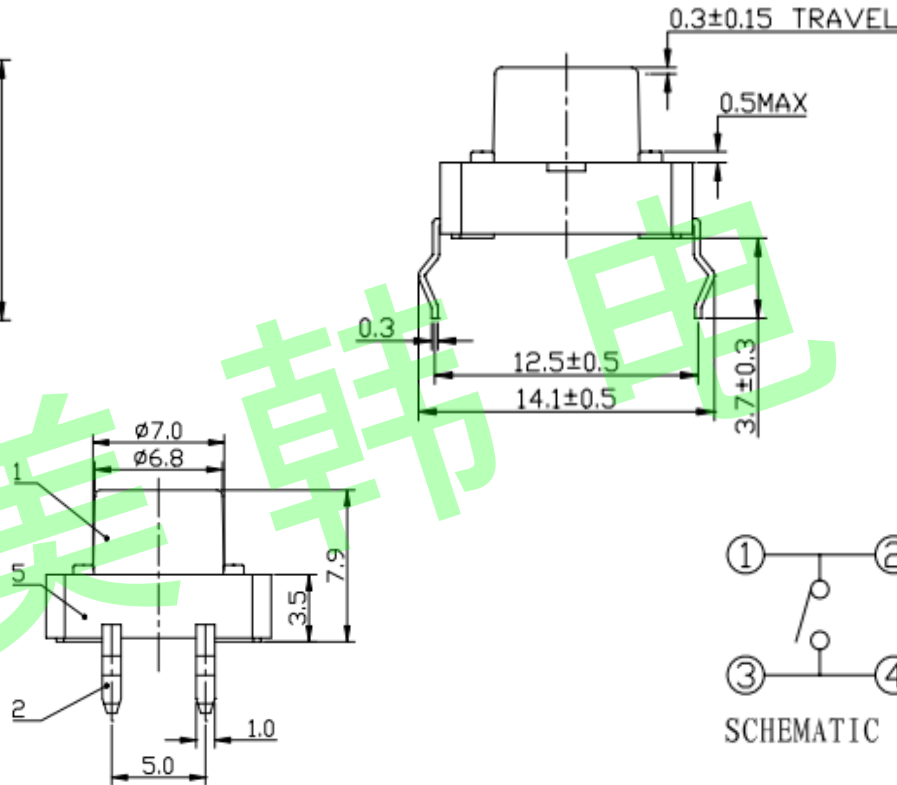
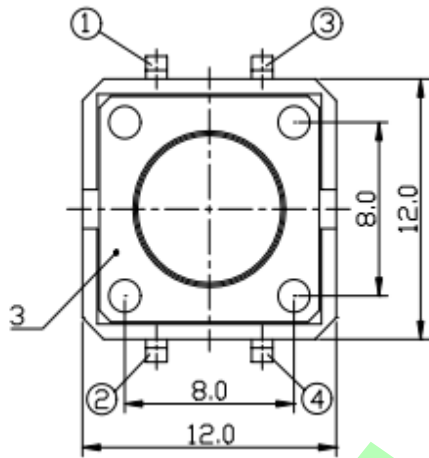
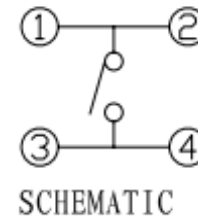


<http://www.usakro.com>



P.C.B LAND DIMENSION



10.0
9.0
8.0
7.0
6.0
5.0
4.3
高度/L

ITEM	PERFORMANCE	Dongguan Usakro Electronic Technology Co., Ltd.	
Title	TACT SWITCH		
Module no	UK-B0224G50-DP25	ITEM	PERFORMANCE
Operating temperature range	-30°C to +85°C	Dielectric Strength(V)	250V AC for 1 min
Rating	50Ma 12V DC	Contact Resistance(mohms)	100mΩ max
Insulation Resistanc(Mohms)	100MΩ min at 500V DC	life time	10,000 Cycles