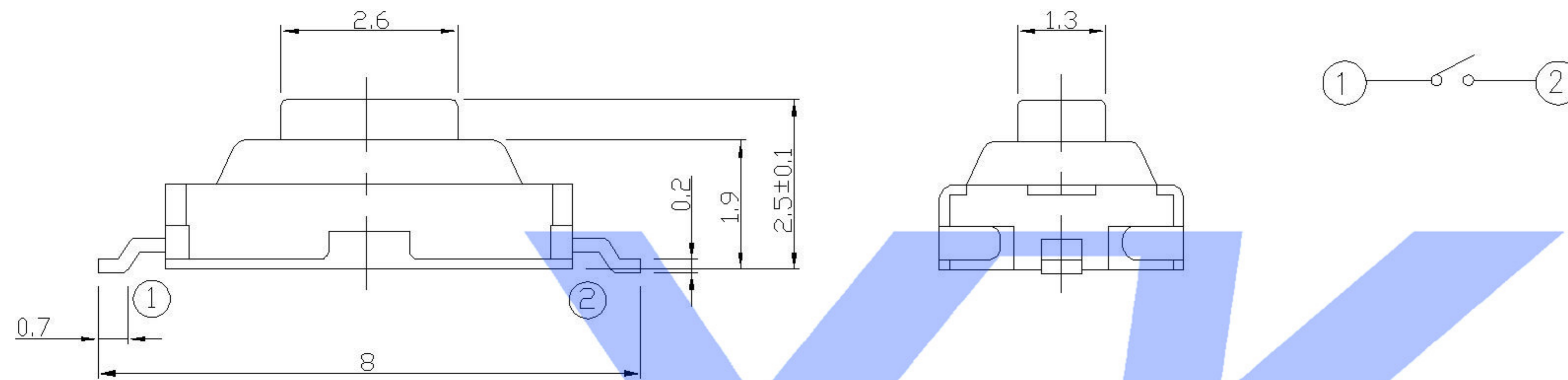


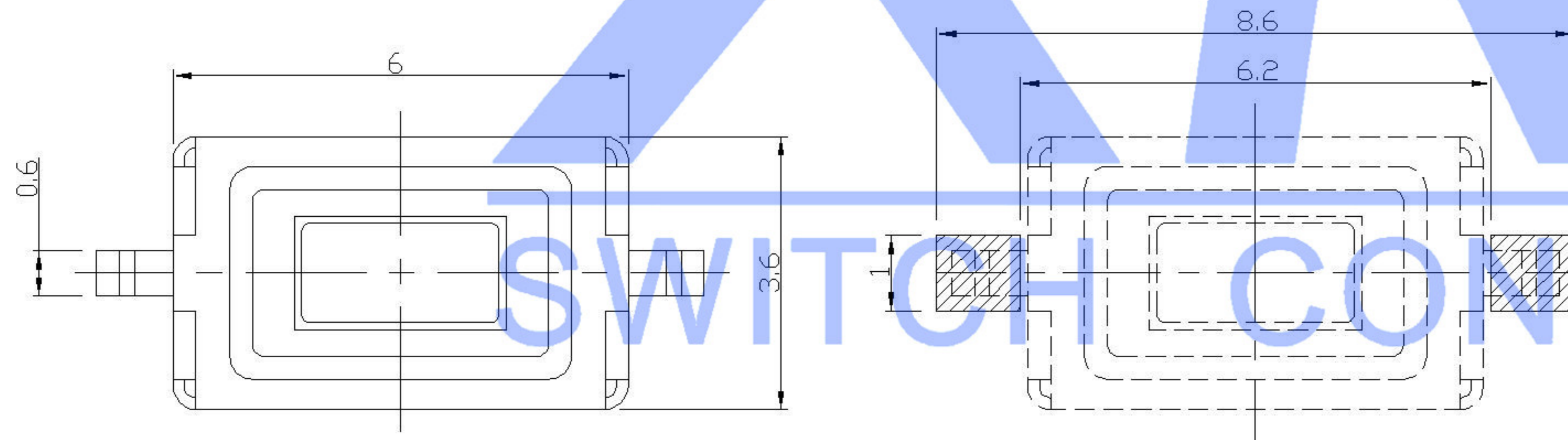
CIRCUIT DIAGRAM



SPECIFICATION

Contact Rating	50mA 12V DC
Contact Resistance	100mΩ max.
Insulation Resistance	100MΩ min. 500V DC
Dielectric Strength	250V AC/1 minute
Travel	0.25mm
Operating Temp.	-25°C ~ +70°C
Storage Temp.	-30 C ~ +80°C

P.C.B MOUNTING PATTERN DIMENSION
The following soldering patterns are recommended for reflow soldering



PAPT NO	TS-1101-X-X
Operating Force	A:100gf B:160gf C:260gf
Height	H: 2.5
color	R:Red W:white

⑤	Terminal	—	2	Brass (0.30t)	ag Plated	—
④	Contact	—	1	F.ag/SUS		—
③	Base	—	1	PA46		—
②	Cover	—	1	Brass	Tin plated	—
①	Keystake	—	1	PA46		—
ITEM	PAPT NAMF	TER,NO	QTY	MATERIAL	FINISHING	REMARK

DSND		DATE		SCALE: N/A	MODEL TYPE: TACT SWITCH		
DWN		DATE		VIEW:	PART NO.:		
CHKD		DATE		UNIT: mm	DWG NO.:		
APPD		DATE		SIZE: A4	TS-1101-X-X		
UNSPECIFIED TOLERANCES				XKB INDUSTRIAL PRECISION CO.,LIMITED	WEIGHT 1.0g	SHEET 1/1	REVISION A0

units: mm					
tolerance:					
X.X	±0.2mm				
X.XX	±0.1mm				
X.XXX	±0.05mm				
MARK	DESCRIPTION	DATE	REVISED	APPROVED	
REVISIONS					
www.xk-dg.cn www.helloxkb.com www.helloxkb.cn					