

4

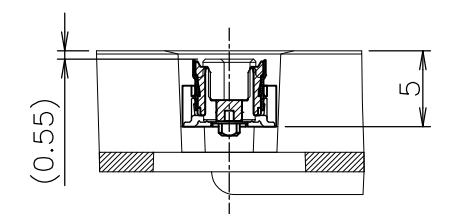
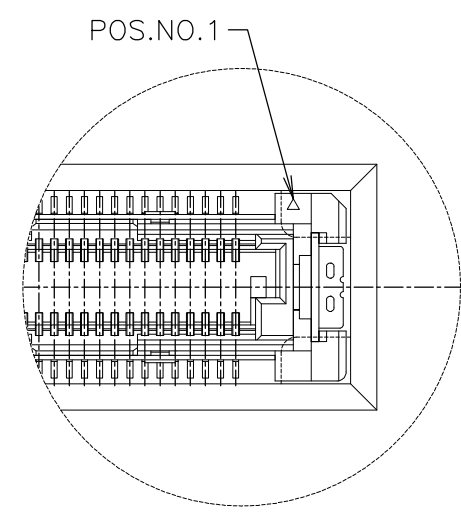
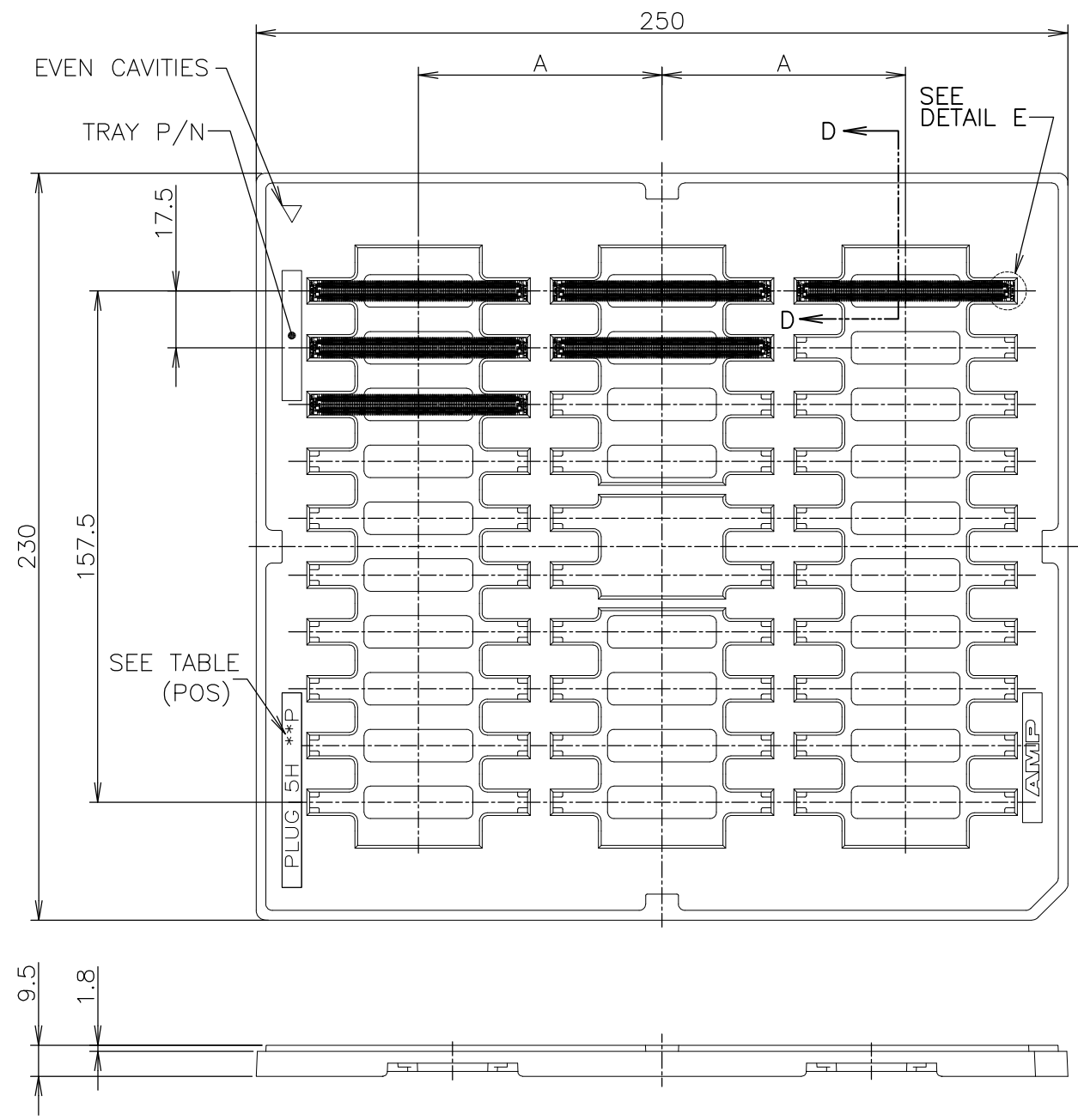
3

2


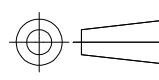
1

THIS DRAWING IS UNPUBLISHED. RELEASED FOR PUBLICATION .2005.
 © COPYRIGHT 2005 By - ALL RIGHTS RESERVED.

REVISIONS					
P	LTR	DESCRIPTION	DATE	DWN	APVD
	C	REVISED PER ECO-12-013585	31JUL2016	B.J	S.Y
	C1	REVISED PER ECO-16-003338	07MAR2016	B.J	S.Y
	C2	REVISED PER ECO-17-009466	07JUL2017	B.J	S.Y

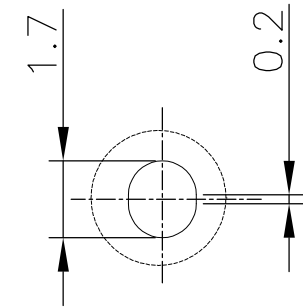
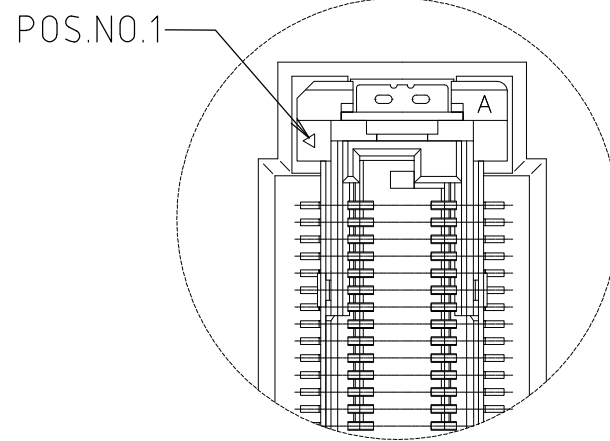
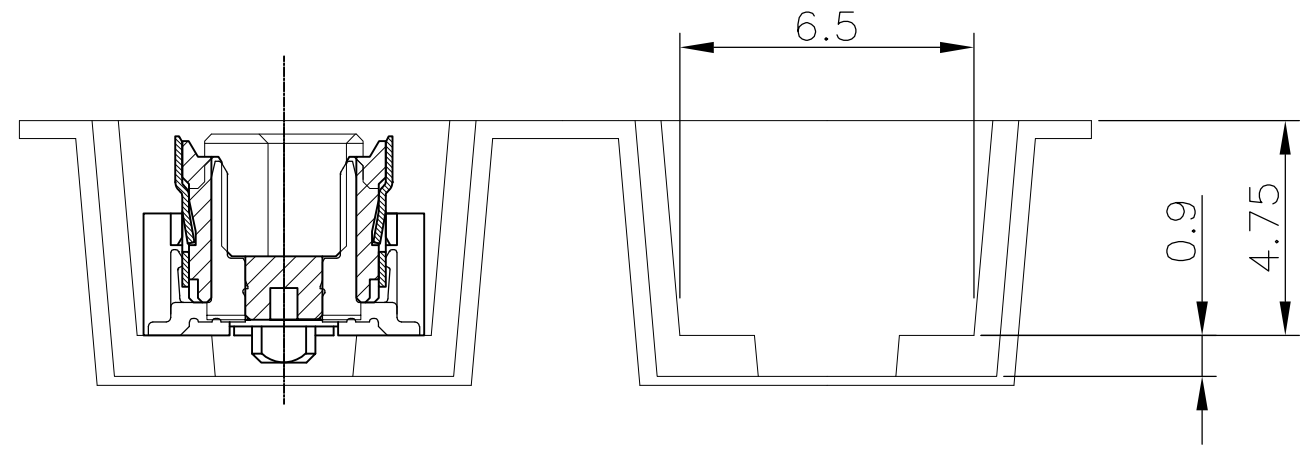
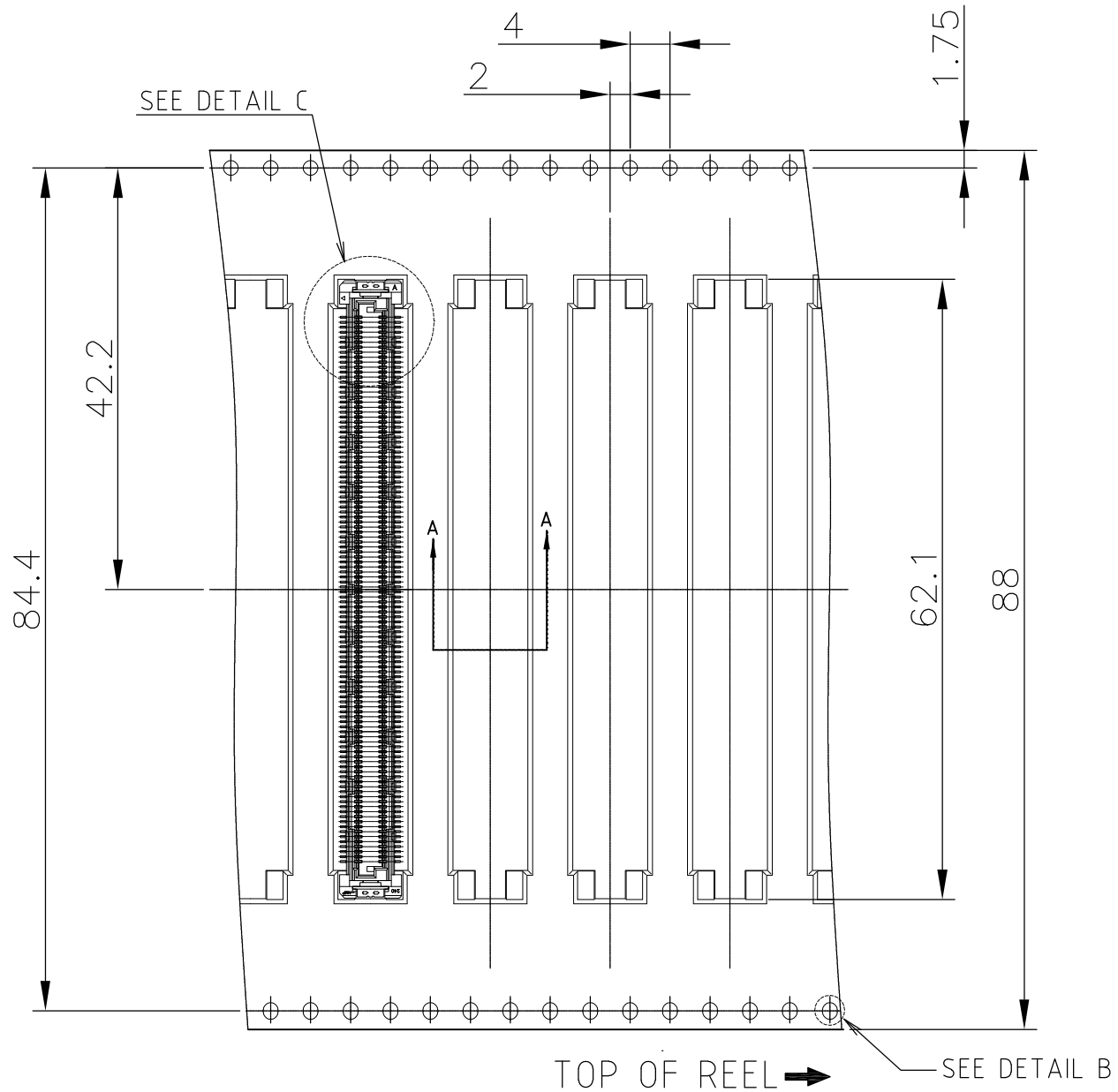


**WITHOUT
CAP**

THIS DRAWING IS A CONTROLLED DOCUMENT.		DWN S.CHIEN 18MAY05	 TE Connectivity HARD TRAY PACKAGING FH 0.5 BTB CONNECTOR 220POS PLUG 5H WITH GROUND PLATE				
DIMENSIONS: MM		CHK T.FUTATSUGI 18MAY05					NAME
		APVD W.KODAMA 18MAY05					PRODUCT SPEC 108-5560
TOLERANCES UNLESS OTHERWISE SPECIFIED:		APPLICATION SPEC		SIZE	CAGE CODE	DRAWING NO	RESTRICTED TO
0 PLC	± 0.3	WEIGHT		A3	00779	C-1827253	-
1 PLC	± 0.3	MATERIAL		CUSTOMER DRAWING		SCALE 1:2	SHEET 1 OF 5
2 PLC	± 0.3	FINISH					REV C2
3 PLC	± 0.3						
4 PLC	± 0.3						
ANGLES	± 3'						

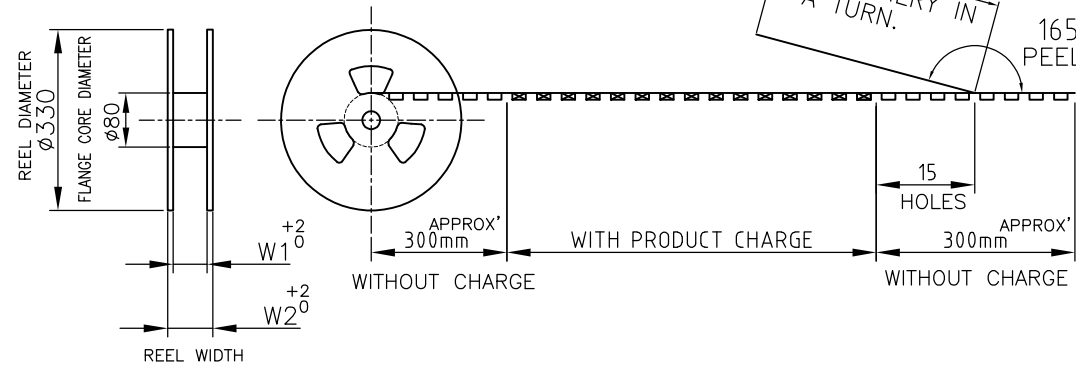
REVISIONS

P	LTR	DESCRIPTION	DATE	DWN	APVD
-	-	SEE SHEET 1	-	-	-



WEEDING THE COVER TAPE AROUND THE OUTER PERIPHERY IN A TURN.
165°~180° PEELING ANGLE.

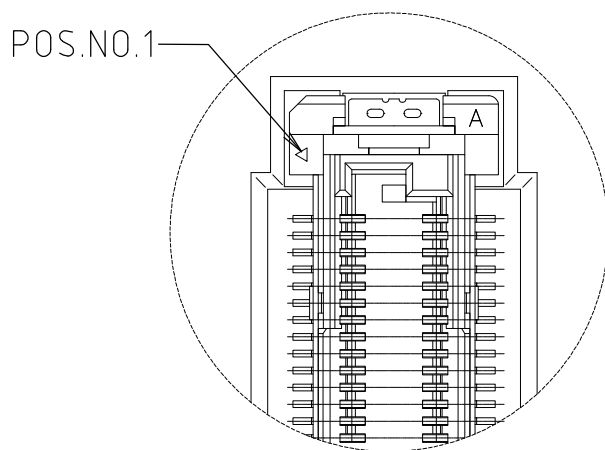
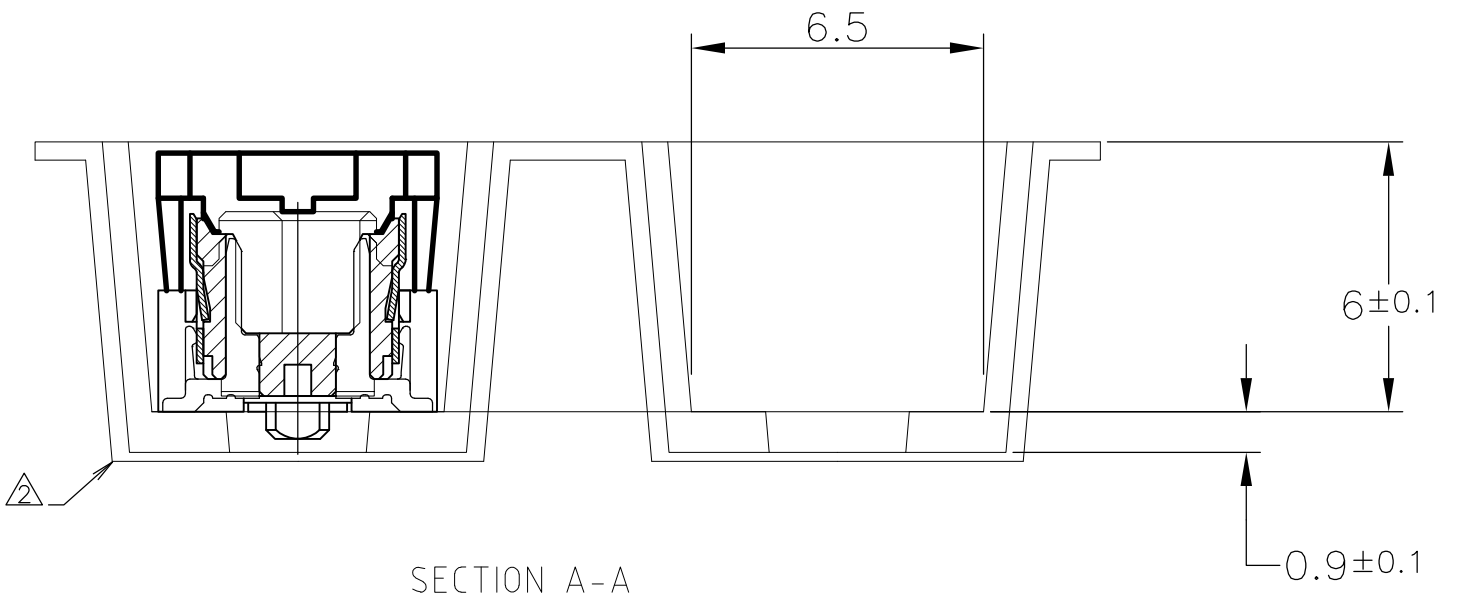
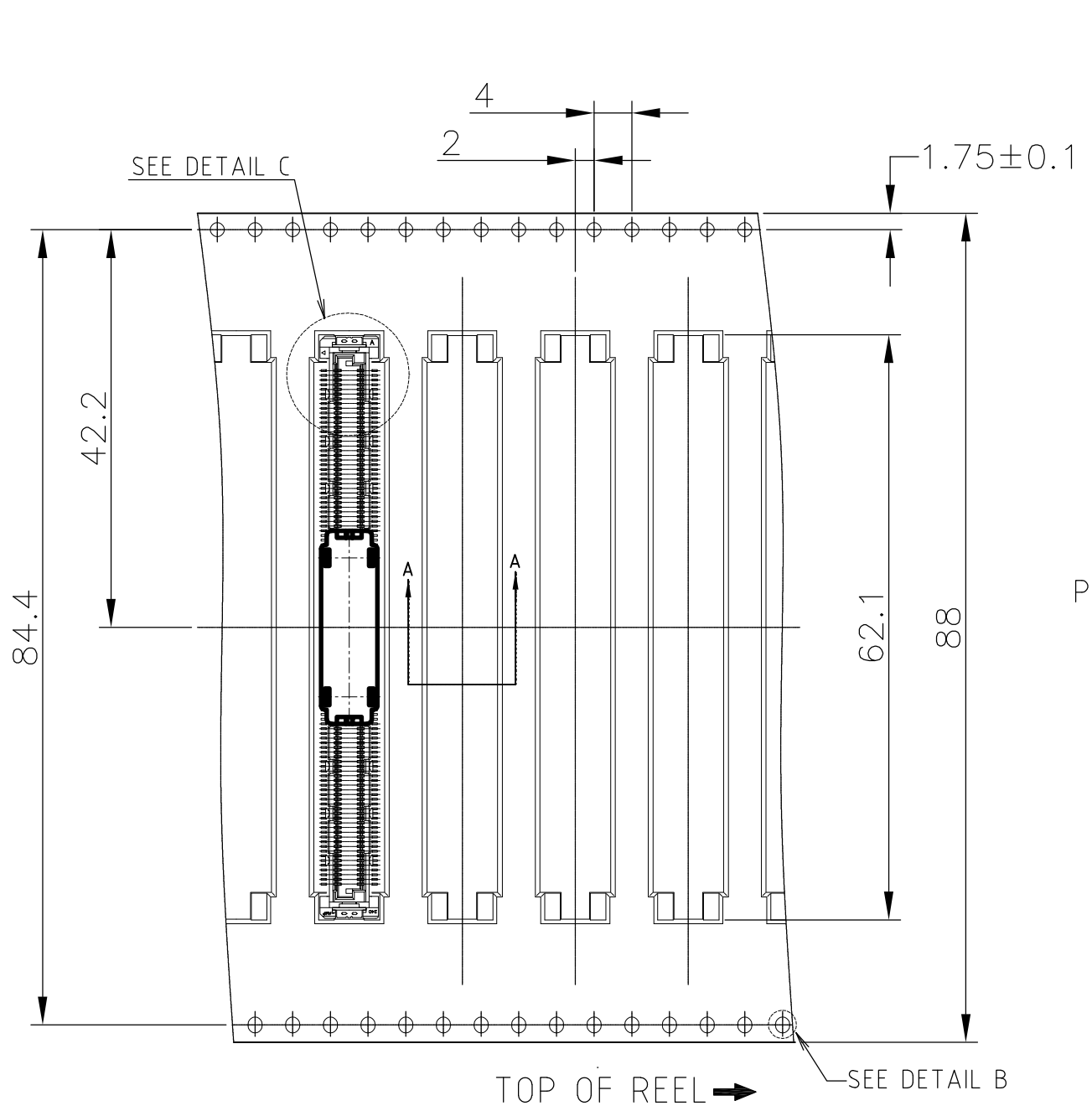
WITHOUT CAP



C1	△	NO	93.5	89.5	800	220	9-1827253-7
	△	NO	93.5	89.5	800	220	4-1827253-6
FINISH	SEALANT SIF-200B	W2	W1	QTY/ REEL	POS	TAPING P/N	

THIS DRAWING IS A CONTROLLED DOCUMENT.		DWN S.CHIENT 18MAY05	TE Connectivity ON TAPING EMBOSS FH 0.5 BTB CONNECTOR 220POS PLUG 5H WITH GROUND PLATE					
DIMENSIONS: MM		CHK T.FUTATSUGI 18MAY05						
TOLERANCES UNLESS OTHERWISE SPECIFIED:		APVD W.KODAMA 18MAY05	NAME					
0 PLC ± 0.3 1 PLC ± 0.3 2 PLC ± 0.3 3 PLC ± 0.3 4 PLC ± 0.3 ANGLES ± 3°		PRODUCT SPEC	SIZE					
MATERIAL		FINISH	APPLICATION SPEC		CAGE CODE		DRAWING NO	RESTRICTED TO
			WEIGHT		A300779		C-1827253	
CUSTOMER DRAWING			SCALE 1:2	SHEET 2 of 5		REV C2		

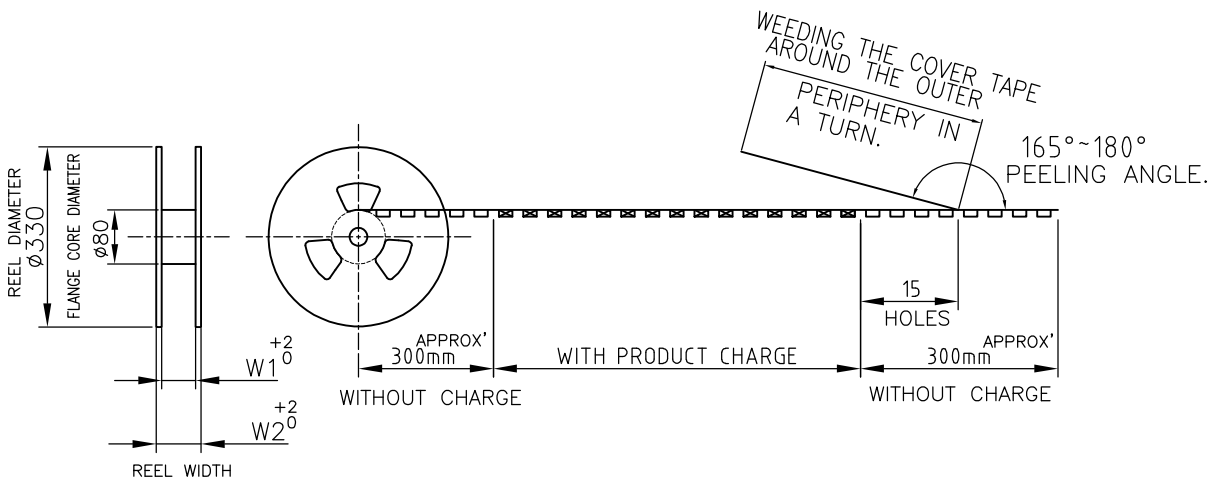
REVISIONS					
P	LTR	DESCRIPTION	DATE	DWN	APVD
-	-	SEE SHEET 1	-	-	-



TOP OF REEL → SEE DETAIL B

WITH CAP

△	BLACK	NO	93.5	89.5	700	220	9-1827253-9
△	NATURE	NO	93.5	89.5	700	220	9-1827253-8
△	NATURE	NO	93.5	89.5	700	220	4-1827253-8
FINISH	CAP	SEALANT	W2	W1	QTY/ REEL	POS	TAPING P/N
	COLOR	SIF-200B					



THIS DRAWING IS A CONTROLLED DOCUMENT.

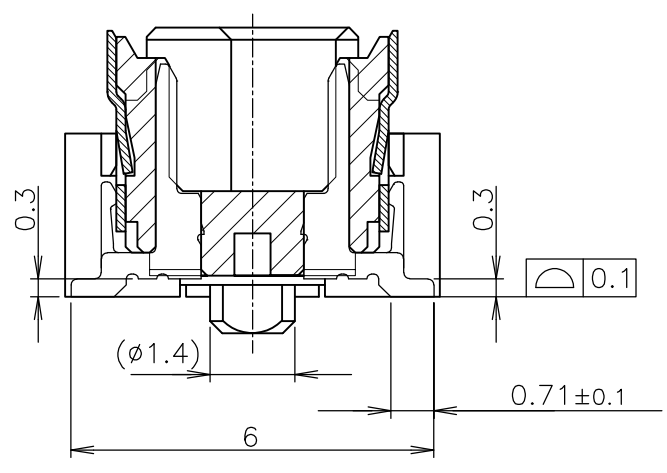
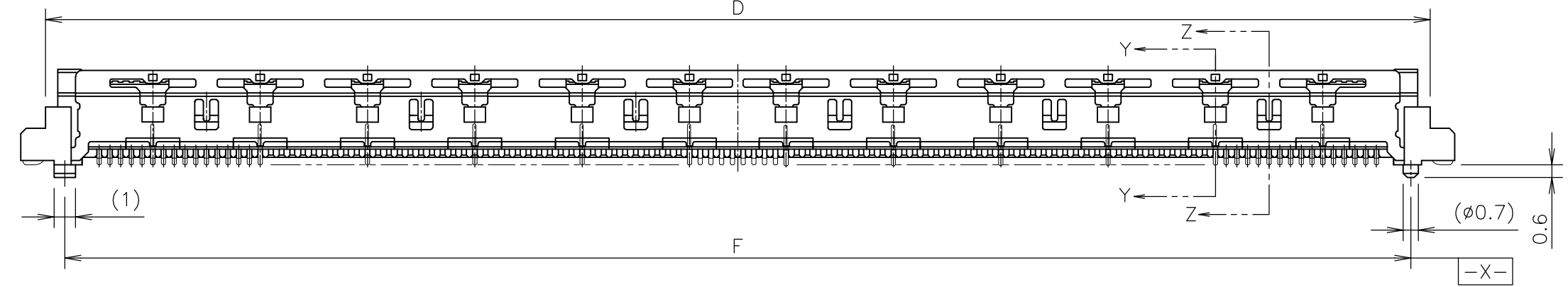
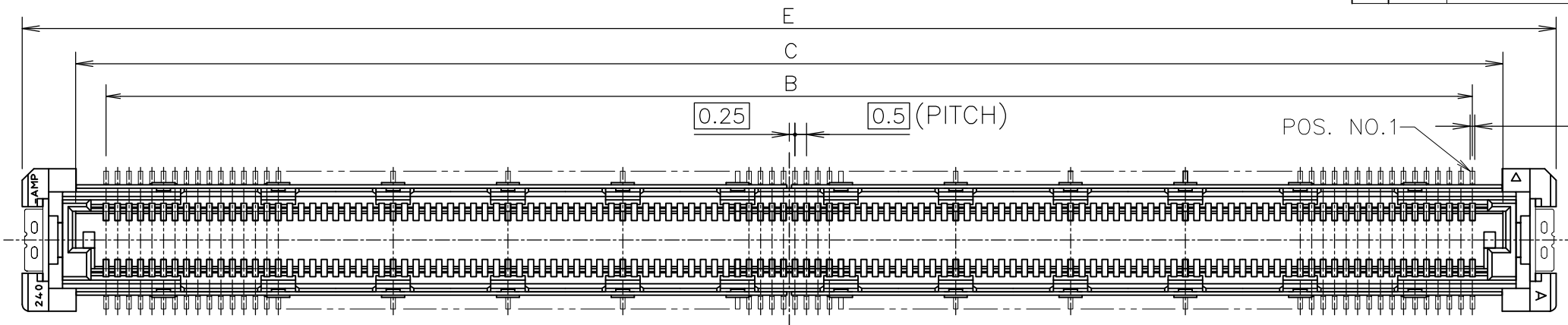
DIMENSIONS:	TOLERANCES UNLESS OTHERWISE SPECIFIED:
MM	
0 PLC	± 0.3
1 PLC	± 0.3
2 PLC	± 0.3
3 PLC	± 0.3
4 PLC	± 0.3
ANGLES	± 3'
MATERIAL	FINISH

DWN	S.CHIEN	18MAY05
CHK	T.FUTATSUGI	18MAY05
APVD	W.KODAMA	18MAY05
PRODUCT SPEC		
APPLICATION SPEC		
WEIGHT		
CUSTOMER DRAWING		

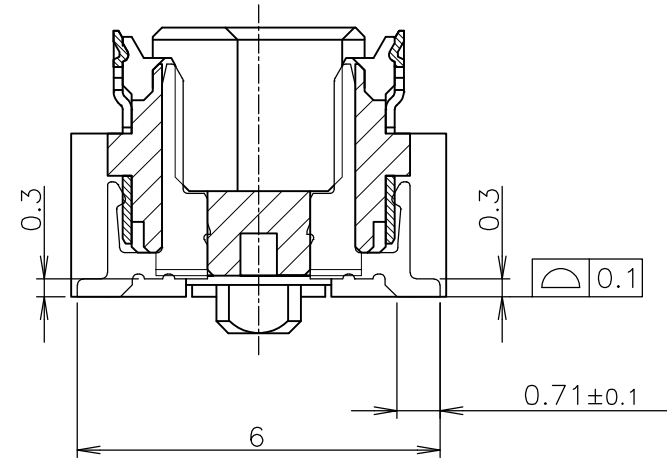
STE TE Connectivity			
ON TAPING EMBOSS FH 0.5 BTB CONNECTOR 220POS PLUG 5H WITH GROUND PLATE			
SIZE	CAGE CODE	DRAWING NO	RESTRICTED TO
A3	00779	C-1827253	-
SCALE 1:2		SHEET 3 of 5	REV C2

THIS DRAWING IS UNPUBLISHED. RELEASED FOR PUBLICATION ,2002.
 © COPYRIGHT 2002 By - ALL RIGHTS RESERVED.

P	LTR	DESCRIPTION	DATE	DWN	APVD
-	-	SEE SHEET 1	-	-	-



SECT. Z-Z
(SIGNAL POSITION)
(SCALE 8:1)



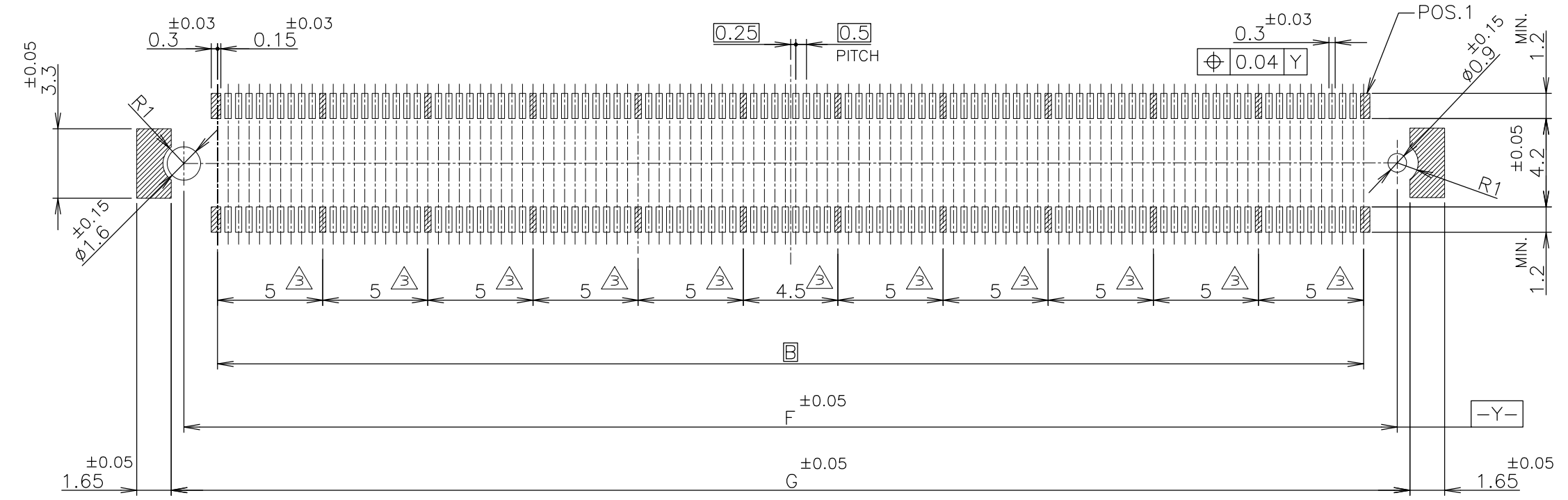
SECT. Y-Y
(GROUND POSITION)
(SCALE 8:1)

C2	57.7	61.8	59.5	57.1	54.5	BLACK	220	9-1827253-9
C2	57.7	61.8	59.5	57.1	54.5	BLACK	220	9-1827253-8
C1	57.7	61.8	59.5	57.1	54.5	BLACK	220	9-1827253-7
	57.7	61.8	59.5	57.1	54.5	BLACK	220	9-1827253-6
C2	57.7	61.8	59.5	57.1	54.5	BLACK	220	4-1827253-8
	57.7	61.8	59.5	57.1	54.5	BLACK	220	4-1827253-6
	57.7	61.8	59.5	57.1	54.5	BLACK	220	3-1827253-6
	F	E	D	C	B	CONN. COLOR	POS.	PART NO.

THIS DRAWING IS A CONTROLLED DOCUMENT.		DWN	STE TE Connectivity			
DIMENSIONS: MM		CHK				
TOLERANCES UNLESS OTHERWISE SPECIFIED:		APVD	NAME			
0 PLC ± 0.3		PRODUCT SPEC	ASSEMBLY			
1 PLC ± 0.3		APPLICATION SPEC	FH 0.5 BTB CONNECTOR 220POS			
2 PLC ± 0.3		WEIGHT	SIZE	CAGE CODE	DRAWING NO	RESTRICTED TO
3 PLC ± 0.3		CUSTOMER DRAWING	A3	00779	C-1827253	
4 PLC ± 0.3			SCALE	SHEET	REV	
ANGLES ± 3'			4:1	4 OF 5	C2	
MATERIAL: SEE NOTE 1						
FINISH: SEE NOTE 2						

THIS DRAWING IS UNPUBLISHED. RELEASED FOR PUBLICATION ,2002.
 © COPYRIGHT 2002 By - ALL RIGHTS RESERVED.

P	LTR	DESCRIPTION	DATE	DWN	APVD
-	-	SEE SHEET 1	-	-	-



REFERENCE P.C.BOARD LAYOUT OF CONNECTOR

NOTES

- △ MATERIAL ; HOUSING: HIGH TEMP THERMO PLASTIC UL94V-0
CONTACT: COPPER ALLOY
SOLDER PEG : COPPER ALLOY
- △ FINISH ; CONTACT : UNDER PL. Ni 0.0013mm MIN ALL OVER
CONTACT AREA 0.0002mm MIN Au PL.
SOLDERING AREA 0.00005mm MIN Au PL.
SOLDER PEG: TIN PL. 0.0001mm MIN OVER
UNDER PL. Ni OR COPPER 0.0013mm MIN ALL OVER
- △ THIS POSITION IS GROUND CIRCUIT.
- △ HIGH TEMPERATURE VERSION.
- △ FINISH ; CONTACT : UNDER PL. Ni 0.0013mm MIN ALL OVER
CONTACT AREA 0.00076mm MIN Au PL.
SOLDERING AREA 0.00005mm MIN Au PL.
SOLDER PEG: TIN PL. 0.0001mm MIN OVER
UNDER PL. Ni OR COPPER 0.0013mm MIN ALL OVER

C2	59.5	220	9-1827253-9
C2	59.5	220	9-1827253-8
C1	59.5	220	9-1827253-7
	59.5	220	9-1827253-6
C2	59.5	220	4-1827253-8
	59.5	220	4-1827253-6
	59.5	220	3-1827253-6
G	POS.	PART NO.	

THIS DRAWING IS A CONTROLLED DOCUMENT.		DWN		TE Connectivity	
DIMENSIONS: MM		CHK			
TOLERANCES UNLESS OTHERWISE SPECIFIED:		APVD		NAME	
0 PLC ± 0.3		PRODUCT SPEC		ASSEMBLY	
1 PLC ± 0.3		APPLICATION SPEC		FH 0.5 BTB CONNECTOR 220POS	
2 PLC ± 0.3		WEIGHT		PLUG 5H WITH GROUND PLATE	
3 PLC ± 0.3		CUSTOMER DRAWING		SIZE	RESTRICTED TO
4 PLC ± 0.3		SCALE 4:1		CAGE CODE	DRAWING NO
ANGLES ± 3°		SHEET 5 OF 5		A300779	C-1827253
FINISH		REV C2			