

4

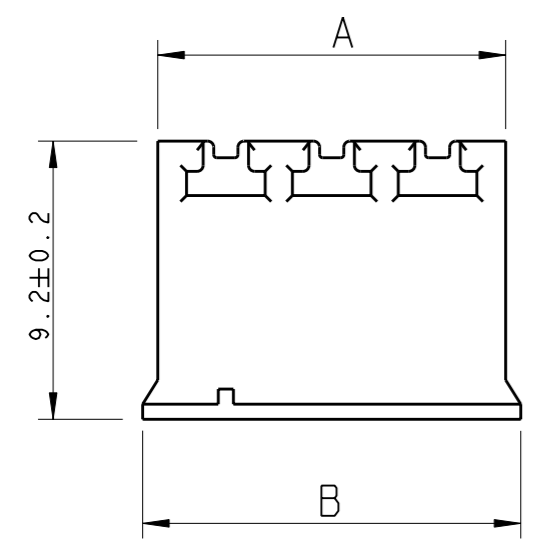
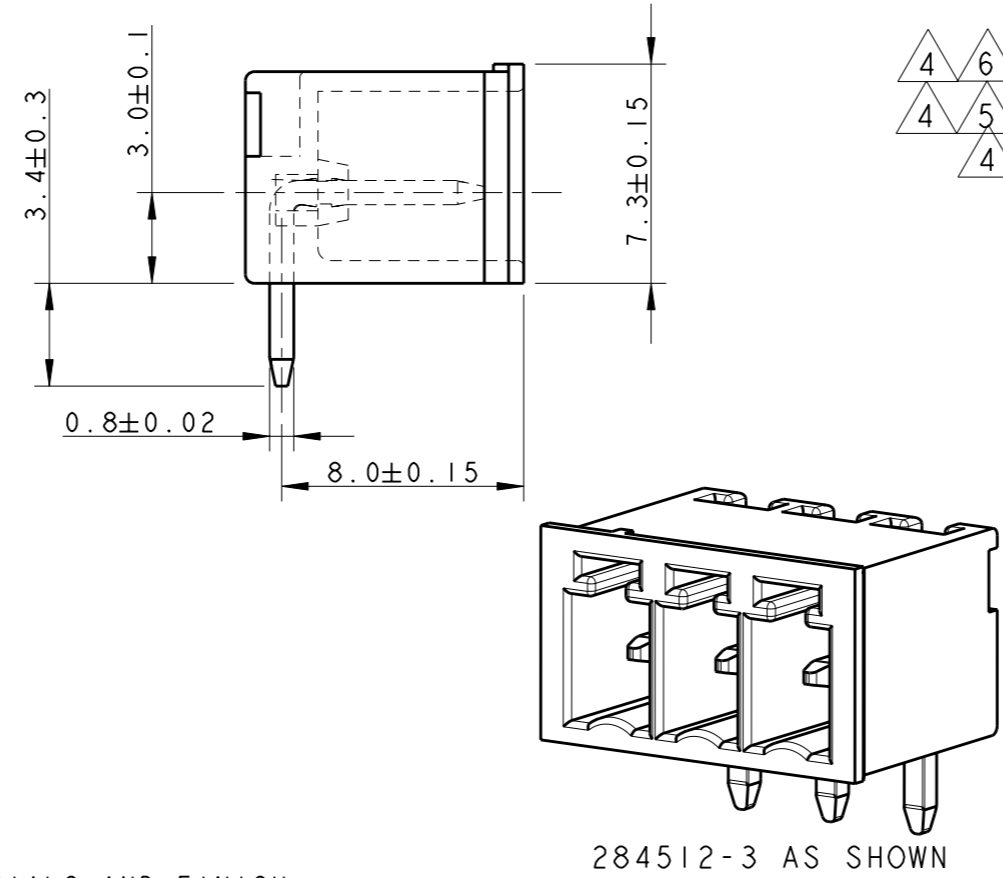
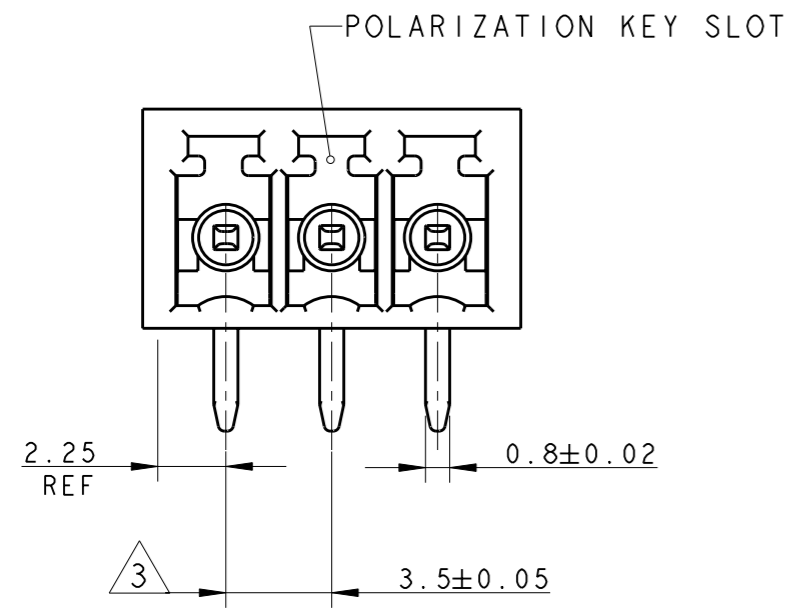
3

2

1

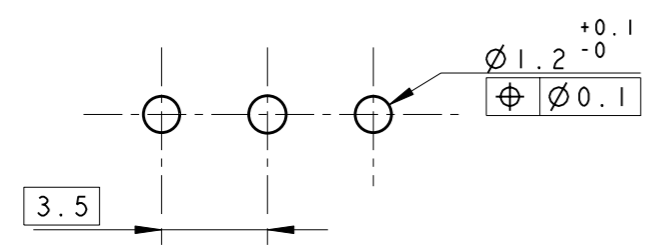
THIS DRAWING IS UNPUBLISHED. RELEASED FOR PUBLICATION 20
 © COPYRIGHT 20 BY - ALL RIGHTS RESERVED.

LOC	DIST	REVISIONS			
P	LTR	DESCRIPTION	DATE	DWN	APVD
FT	0	E3	REVISED PER ECO-11-004587	11MAR2011	RK HMR



- 1 MATERIALS AND FINISH
HOUSING : PA 6.6, UL 94-V0, COLOR GREEN
TERMINAL : PHOSPHOR BRONZE, PLATING: SEE TABLE.
- 2. SUITABLE FOR 1.6-2.4 mm. PC BOARD THICKNESS
- 3 NOT CUMULATIVE TOLERANCE
- 4 PRELIMINARY - NOT FOR PRODUCTION.
- 5 SPECIAL CODING LOCATED AT POSITION 2.
PART TO BE MATED WITH 2-284506-9.
- 6 SPECIAL CODING LOCATED AT POSITION 1 AND 2.
PART TO BE MATED WITH 3-284506-0.

LOC	DIST	FINISH	PLATING	NO OF POSN	PART NUMBER
4	6	TIN		3	3-284512-9
4	5	TIN		3	3-284512-8
4	4	GOLD FLASH		7	3-284512-6
		0.2 MICRON GOLD		12	3-284512-5
		TIN		4	3-284512-4
		TIN		3	3-284512-3
		TIN		25	2-284512-5
		TIN		24	2-284512-4
		TIN		23	2-284512-3
		TIN		22	2-284512-2
		TIN		21	2-284512-1
		TIN		20	2-284512-0
		TIN		19	1-284512-9
		TIN		18	1-284512-8
		TIN		17	1-284512-7
		TIN		16	1-284512-6
		TIN		15	1-284512-5
		TIN		14	1-284512-4
		TIN		13	1-284512-3
		TIN		12	1-284512-2
		TIN		11	1-284512-1
		TIN		10	1-284512-0
		TIN		9	284512-9
		TIN		8	284512-8
		TIN		7	284512-7
		TIN		6	284512-6
		TIN		5	284512-5
		TIN		4	284512-4
		TIN		3	284512-3
		TIN		2	284512-2
TERMINAL PLATING		B	A	NO OF POSN	PART NUMBER



RECOMMENDED PC BOARD LAYOUT

THIS DRAWING IS A CONTROLLED DOCUMENT.

DIMENSIONS: mm	TOLERANCES UNLESS OTHERWISE SPECIFIED:	DWN E. ZANOLINI 06FEB2002	TE Connectivity TERMINAL BLOCK, HEADER ASSEMBLY 90 DEGREE, CLOSED ENDS 3.5mm PITCH
	0 PLC ±.3	CHK E. ZANOLINI 06FEB2002	
	1 PLC ±.25	APVD D. BIEVENOUR 06FEB2002	
	2 PLC ±.25	PRODUCT SPEC 108-20166	
	3 PLC ±.	APPLICATION SPEC 114-20079	SIZE A3
	4 PLC ±.	WEIGHT -	CAGE CODE 00779
	ANGLES ±2		DRAWING NO C-284512
MATERIAL 1	FINISH 1	CUSTOMER DRAWING	RESTRICTED TO -
SCALE 4:1			SHEET 1 OF 1
			REV E3

Mouser Electronics

Authorized Distributor

Click to View Pricing, Inventory, Delivery & Lifecycle Information:

[TE Connectivity:](#)

[284512-5](#)