

4

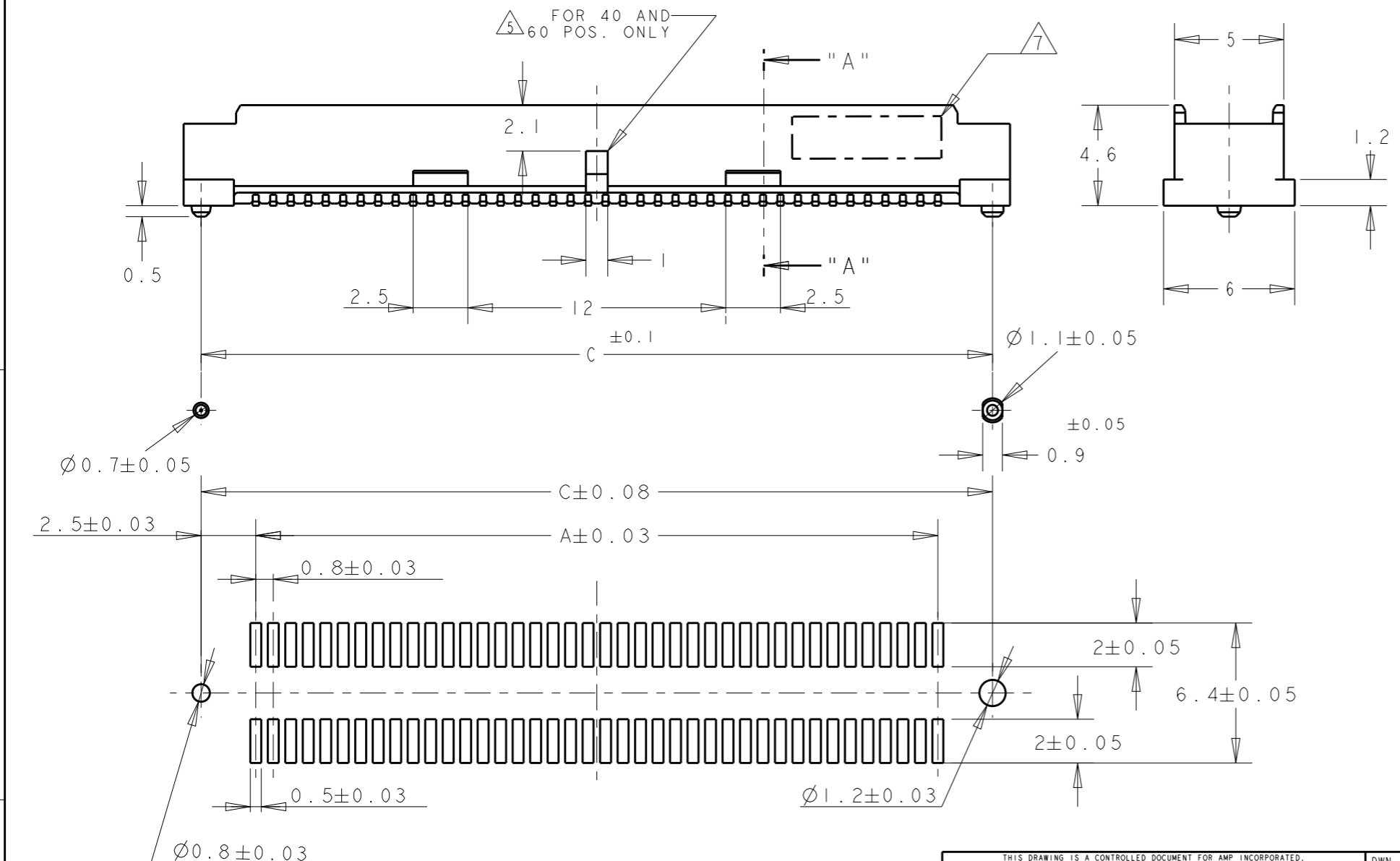
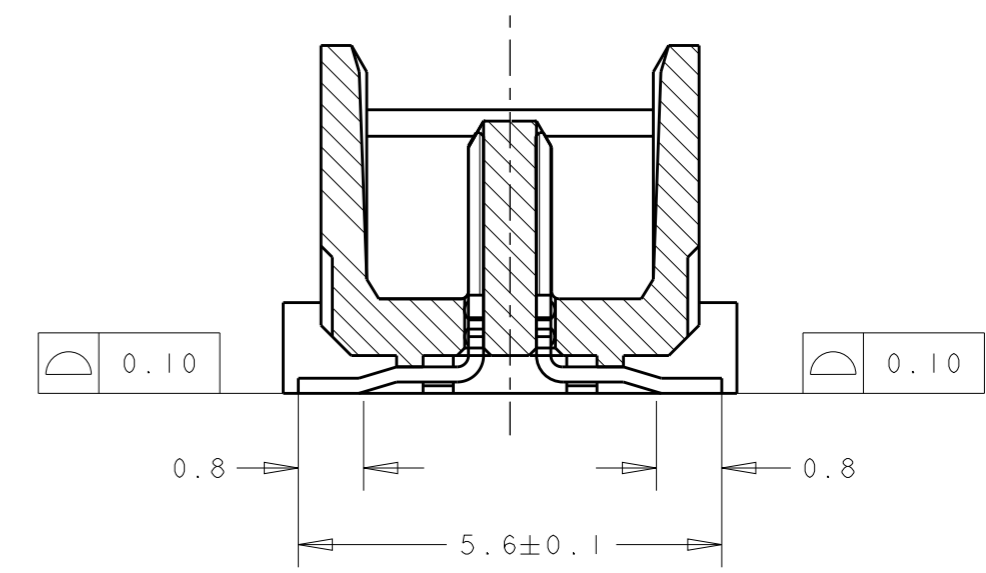
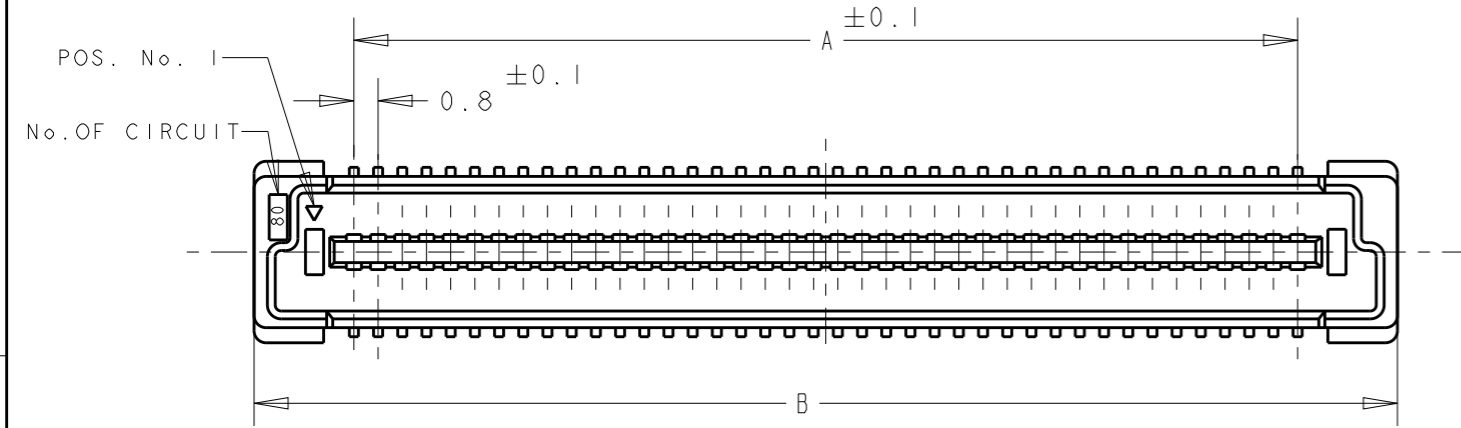
3

2

1

THIS DRAWING IS UNPUBLISHED. RELEASED FOR PUBLICATION .19 .
 © COPYRIGHT 19 BY AMP INCORPORATED. ALL RIGHTS RESERVED.

LOC		DIST		REVISIONS					
DY		-		P	LTR	DESCRIPTION	DATE	DWN	APVD
				B		REVISED PER ECO-17-005566	09MAR2017	B. J	S. Y



- NOTES;
- 1 MATERIAL: HOUSING: L.C.P. (HIGH TEMP THERMO PLASTIC) UL 94V-0, NATURAL. CONTACT: BRASS.
 - 2 FINISH: UNDERPLATE: 0.0013 MIN NICKEL ALL OVER. ENGAGEMENT AREA: 0.0002 MIN GOLD. SOLDERING AREA: 0.002 MIN MATTE-TIN.
 - 3. POSITION SERIES: SEE TABLE.
 - 4. CONN STACK HEIGHT COMBINE OF PLUG "Y" H VS REC "X" H. STACK HEIGHT = Y + X - 5
 - 5 CUTOUT FEATURE AVAILABLE ONLY ON P/N -1 (40P) AND -2 (60P).
 - 6 FINISH: UNDERPLATE: 0.0013 MIN NICKEL ALL OVER. ENGAGEMENT AREA: 0.00038 MIN GOLD. SOLDERING AREA: 0.002 MIN MATTE-TIN.
 - 7 DATECODE MARKING.
 - 8 CONNECTOR WITH BLACK HOUSING AND POLYIMIDE COVER

P/N SEE SHEET 2 & 3 OF 3.

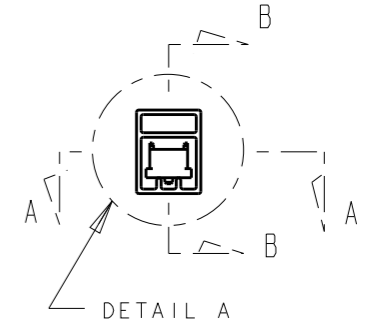
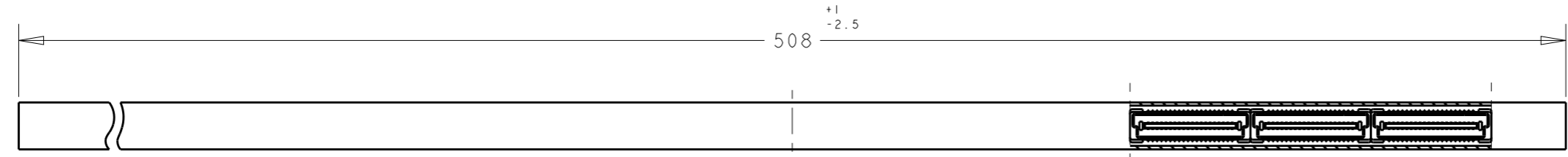
RECOMMENDED P.C. BOARD LAYOUT

LOW HALOGEN

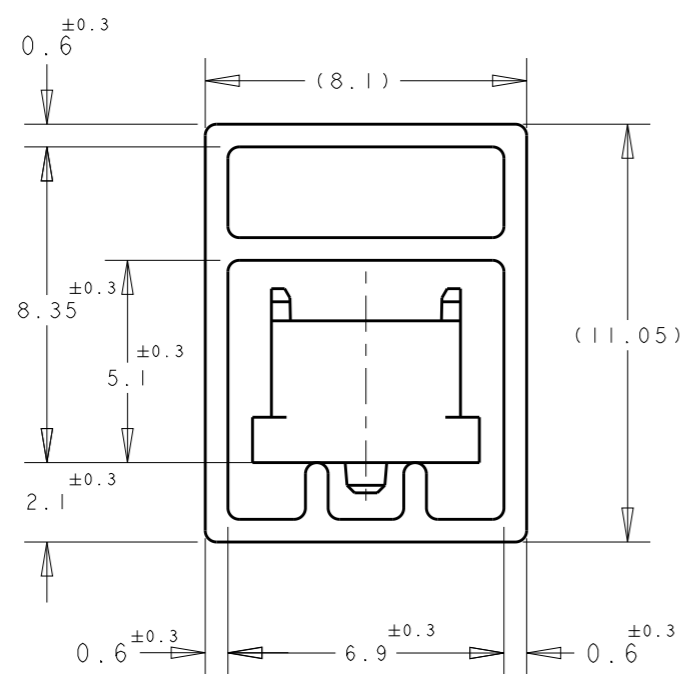
THIS DRAWING IS A CONTROLLED DOCUMENT FOR AMP INCORPORATED. IT IS SUBJECT TO CHANGE AND THE CONTROLLING ENGINEERING ORGANIZATION SHOULD BE CONTACTED FOR THE LATEST REVISION.		DWN FLORENCE TAN 30AUG04	AMP Tyco Electronics Corporation Singapore
DIMENSIONS: mm		CHK ERIC TNG	
TOLERANCES UNLESS OTHERWISE SPECIFIED: 0 PLC ±- 1 PLC ±0.30 2 PLC ±0.25 3 PLC ±0.20 4 PLC ±- ANGLES ±3°		APVD SEIFONG	NAME PLUG ASSEMBLY 5H TYPE (0.5 BOSS LENGTH) FOR FH 0.8mm PITCH B-T-B CONNECTOR
MATERIAL		PRODUCT SPEC 108-5390	SIZE A3
FINISH SEE TABLE P/N		APPLICATION SPEC 114-5254	CAGE CODE 00779
△		WEIGHT -	DRAWING NO C=5177984
		CUSTOMER DRAWING	SCALE 4:1 SHEET 1 OF 3 REV B

THIS DRAWING IS UNPUBLISHED. RELEASED FOR PUBLICATION .19 .
 © COPYRIGHT 19 BY AMP INCORPORATED. ALL RIGHTS RESERVED.

LOC	DIST	REVISIONS					
DY	-	P	LTR	DESCRIPTION	DATE	DWN	APVD
		-		SEE SHEET 1 OF 3	-	-	-



REFERENCE PICTURE OF TUBE PACK



DETAIL A

WITHOUT POLYIMIDE COVER

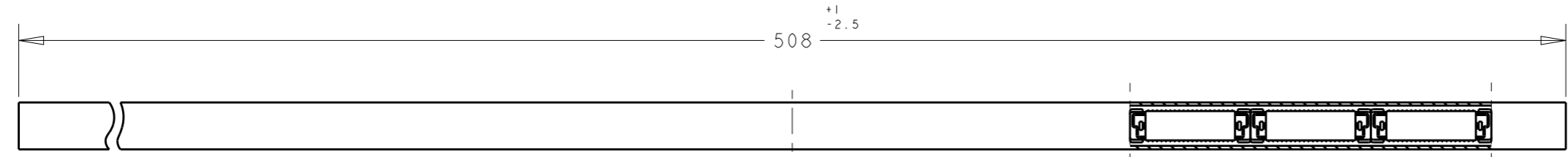
15Au-Sn △6	5	84.2	85.8	79.2	200	3-	-0
	6	76.2	77.8	71.2	180	2-	-9
	6	68.2	69.8	63.2	160	2-	-8
	7	60.2	61.8	55.2	140	2-	-6
	9	52.2	53.8	47.2	120	2-	-5
	10	44.2	45.8	39.2	100	2-	-4
	12	36.2	37.8	31.2	80	2-	-3
	16	28.2	29.8	23.2	60	2-	-2
	22	20.2	21.8	15.2	40	2-	-1
	08Au-Sn △2	5	84.2	85.8	79.2	200	1-
6		76.2	77.8	71.2	180		-9
6		68.2	69.8	63.2	160		-8
7		60.2	61.8	55.2	140		-6
9		52.2	53.8	47.2	120		-5
10		44.2	45.8	39.2	100		-4
12		36.2	37.8	31.2	80		-3
16		28.2	29.8	23.2	60		-2
22		20.2	21.8	15.2	40		-1
FINISH		QTY/TUBE	C	B	A	POS.	CONN P/N

LOW HALOGEN

<small>THIS DRAWING IS A CONTROLLED DOCUMENT FOR AMP INCORPORATED. IT IS SUBJECT TO CHANGE AND THE CONTROLLING ENGINEERING ORGANIZATION SHOULD BE CONTACTED FOR THE LATEST REVISION.</small>		DWN 30AUG04 FLORENCE TAN CHK ERIC TNG APVD SEIFONG	AMP Tyco Electronics Corporation Singapore
DIMENSIONS: mm	TOLERANCES UNLESS OTHERWISE SPECIFIED: 0 PLC ±- 1 PLC ±0.30 2 PLC ±0.25 3 PLC ±0.20 4 PLC ±- ANGLES ±3°	PRODUCT SPEC 108-5390 APPLICATION SPEC 114-5254 WEIGHT -	NAME PLUG ASSEMBLY 5H TYPE (0.5 BOSS LENGTH) FOR FH 0.8mm PITCH B-T-B CONNECTOR
MATERIAL	FINISH	CUSTOMER DRAWING	SIZE A3 CAGE CODE 00779 DRAWING NO C=5177984
	SEE TABLE P/N		SCALE - SHEET 2 OF 3 REV B

THIS DRAWING IS UNPUBLISHED. RELEASED FOR PUBLICATION .19 .
 © COPYRIGHT 19 BY AMP INCORPORATED. ALL RIGHTS RESERVED.

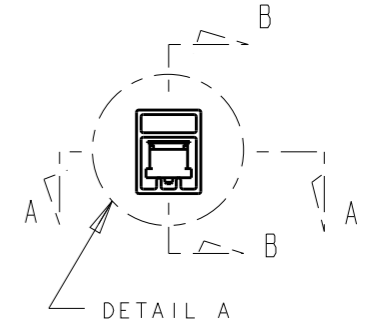
LOC	DIST	REVISIONS			
P	LTR	DESCRIPTION	DATE	DWN	APVD
DY	-	SEE SHEET 1 OF 3	-	-	-



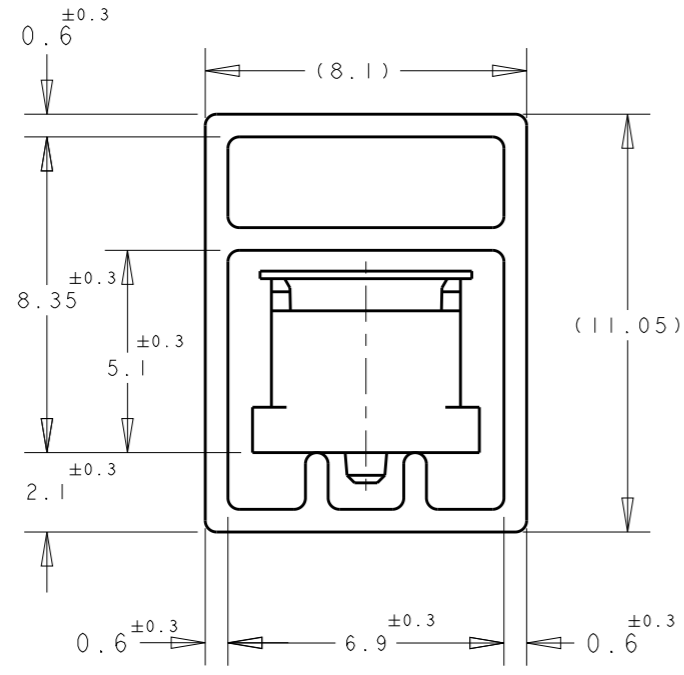
SECT A-A



SECT B-B



REFERENCE PICTURE OF TUBE PACK



DETAIL A

WITH POLYIMIDE COVER

△ 8	08Au-Sn	2	7	60.2	61.8	55.2	140	9-5177984-6
FINISH	QTY/TUBE	C	B	A	POS.	CONN P/N		

LOW HALOGEN

THIS DRAWING IS A CONTROLLED DOCUMENT FOR AMP INCORPORATED. IT IS SUBJECT TO CHANGE AND THE CONTROLLING ENGINEERING ORGANIZATION SHOULD BE CONTACTED FOR THE LATEST REVISION.		DWN FLORENCE TAN 30AUG04	Tyco Electronics Corporation Singapore	
DIMENSIONS: mm	TOLERANCES UNLESS OTHERWISE SPECIFIED: 0 PLC ±. 1 PLC ±0.30 2 PLC ±0.25 3 PLC ±0.20 4 PLC ±. ANGLES ±3°	CHK ERIC TNG	NAME PLUG ASSEMBLY 5H TYPE (0.5 BOSS LENGTH) FOR FH 0.8mm PITCH B-T-B CONNECTOR	
MATERIAL	FINISH SEE TABLE P/N	APVD SEIFONG	PRODUCT SPEC 108-5390	DRAWING NO C=5177984
		APPLICATION SPEC 114-5254	WEIGHT -	SCALE - SHEET 3 OF 3 REV B
		CUSTOMER DRAWING		

PROJ NO. 593-312

C

B

A

Mouser Electronics

Authorized Distributor

Click to View Pricing, Inventory, Delivery & Lifecycle Information:

[TE Connectivity:](#)

[5177984-6](#)