

4

3

2

1

THIS DRAWING IS UNPUBLISHED.

RELEASED FOR PUBLICATION

--

© COPYRIGHT - By -

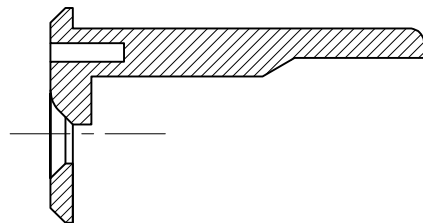
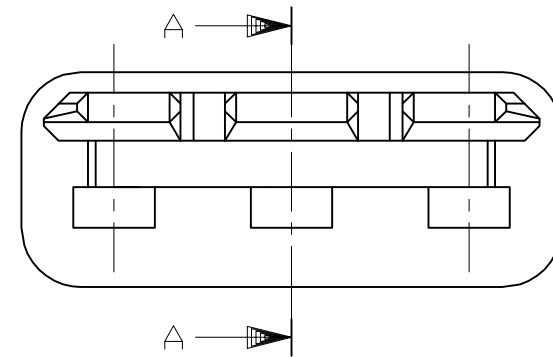
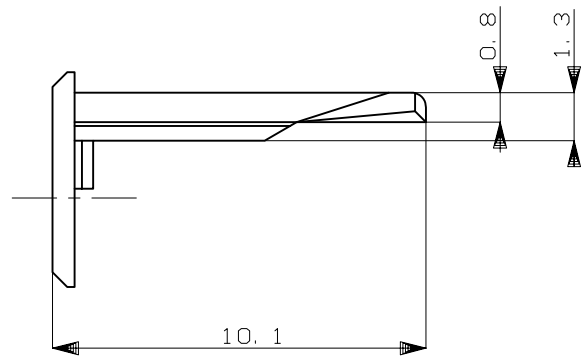
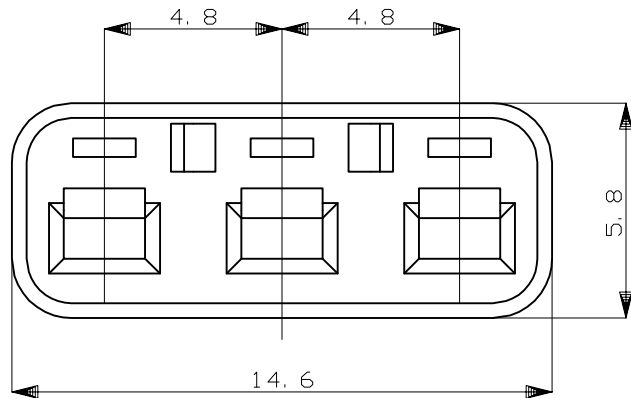
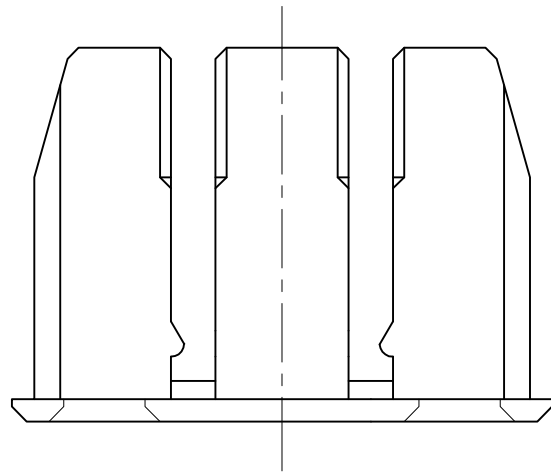
ALL RIGHTS RESERVED.

LOC

DIST

REVISIONS


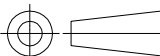
P	LTR	DESCRIPTION	DATE	DWN	APVD
	C1	REVISED	27JAN2015	TS	KB



SECTION 断面 A-A

- 1. 本品は、プラグハウジング型番174357に装着される。
- 1. TO BE MATED WITH PLUG HOUSING (PN 174357)

HB	自然色 (NATURAL)	1-174358-1
V-2	黄 (YELLOW)	174358-7
使用材料難燃グレード (FLAMMABILITY OF MATERIAL)	色 (COLOR)	型番 (PART NUMBER)

THIS DRAWING IS A CONTROLLED DOCUMENT.		DWN	K.ODA	8/19'87	 <b>TE Connectivity</b>			
DIMENSIONS: mm		CHK	Y.MATSUSAKA	8/24'87				
		APVD	M.NOGUCHI	8/25'87				
TOLERANCES UNLESS OTHERWISE SPECIFIED:		PRODUCT SPEC			NAME			
0 PLC ± - 1 PLC ± - 2 PLC ± - 3 PLC ± - 4 PLC ± - ANGLES ± -		APPLICATION SPEC			3P. ECONOSEAL J-MARKII+ CONNECTOR DOUBLE LOCK PLATE FOR PLUG HOUSING			
MATERIAL		WEIGHT			SIZE	CAGE CODE	DRAWING NO	RESTRICTED TO
PBT		-			A3	00779	C=174358	-
FINISH		CUSTOMER DRAWING			SCALE	SHEET	REV	
-					5:1	1 of 1	C1	

GENERAL TOLERANCE	
0 < * ≤ 10	: ±0.2
10 < * ≤ 30	: ±0.25
30 < * ≤ 100	: ±0.3
ANGLES	: ±3°

# Mouser Electronics

Authorized Distributor

Click to View Pricing, Inventory, Delivery & Lifecycle Information:

[TE Connectivity:](#)

[174358-7](#)