

Operation: SMT&Push-Push



LTEM NO.: TF-15X15 (Consumer Electronics)

(14.50L × 14.75W × 1.90H & T-Flash Sockets)

MEMORY-CARD-SOCKETS



Technical parameter

外焊貼裝 SMT

| PROJECT | LEVEL | A[better product] | | B[average product] | |
|------------------------------|----------------------------|-----------------------------|--|----------------------------|--|
| | | | | | |
| Electrical Properties | Contact Rating | 25mA, 24V DC | | | |
| | Initial Contact Resistance | 30mΩ max. | | 50mΩ max. | |
| | Insulation Resistance | 100MΩ min.500V DC | | Skey/PD: 100MΩ min.300V DC | |
| | Withstand Voltage | 500V AC for 1 minute | | 350 V AC for 1 minut | |
| Durable Performance | There No Load | 6,500 Cycles | | 5,500 Cycles | |
| | Rated Load | 5,500 Cycles | | 4,500 Cycles | |
| | Storage temp. | -25℃~+85℃(Operating Temp:) | | | |

側向導入 LATERAL

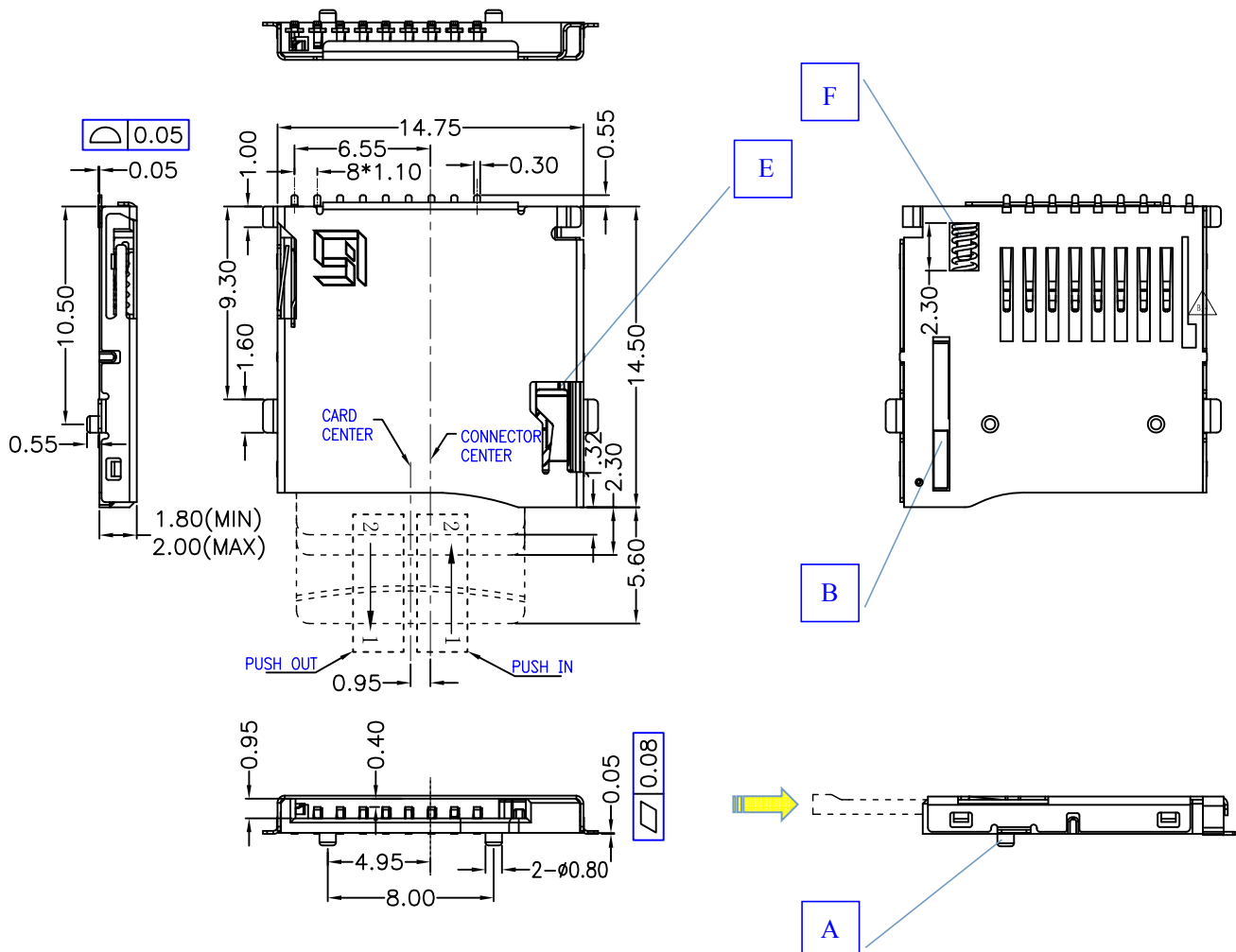
精密部品 NICETY

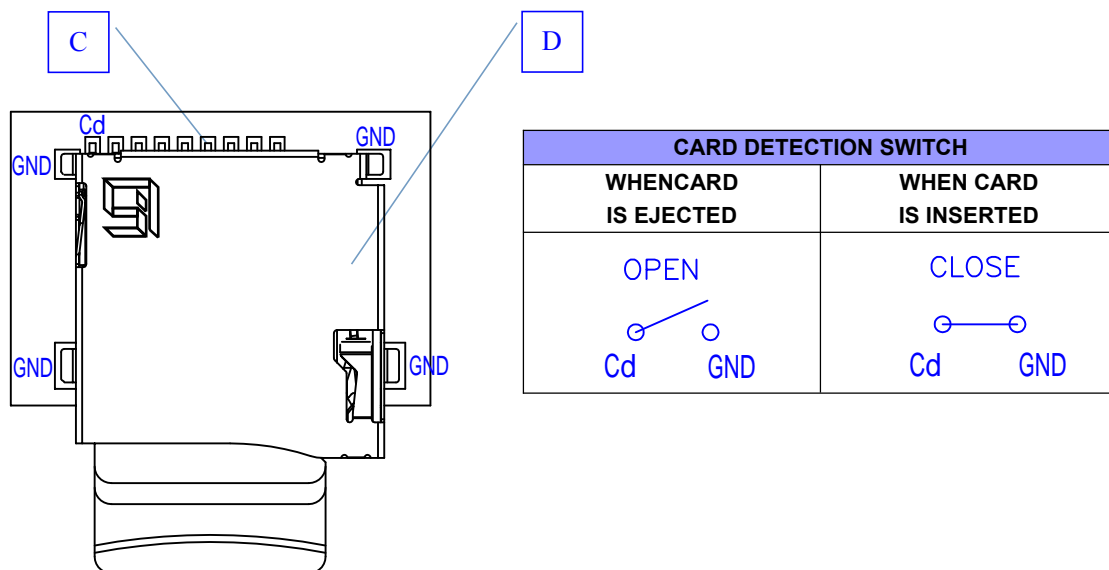
可靠 STABILIZE

適合環保 RoHS

Page1

Unit:mm





SPECIFIED TOLERANCES

UNLESS OTHERWISE



| DECIMALS | ANGLES |
|--------------|-----------|
| X.X :±0.35 | X.X :±3° |
| X.XX :±0.25 | X.XX :±2° |
| X.XXX :±0.15 | |

| Material declaration | | | |
|----------------------|------|--|---------|
| No. | NAME | MATERIAL | PLATING |
| ① A | 基座 | LCP 30%G/F (Black)耐热塑胶 | - |
| ② B | 滑块 | PA6T 30%G/F (Black)耐热尼龙 | SET |
| ③ C | 接触端子 | C5191R-H (t=0.15mm)磷青铜【锡 30u" 基镀金 1u"】 | G/F |
| ④ D | 外壳 | SUS301-3/4H(t=0.15mm)不锈钢【焊点镀金 1u"】 | G/F |
| ⑤ E | 线簧 | 象唛钢线 OD=0.21mm | - |
| ⑥ F | 弹簧 | SUS304(t=0.30mm)不锈钢 | - |

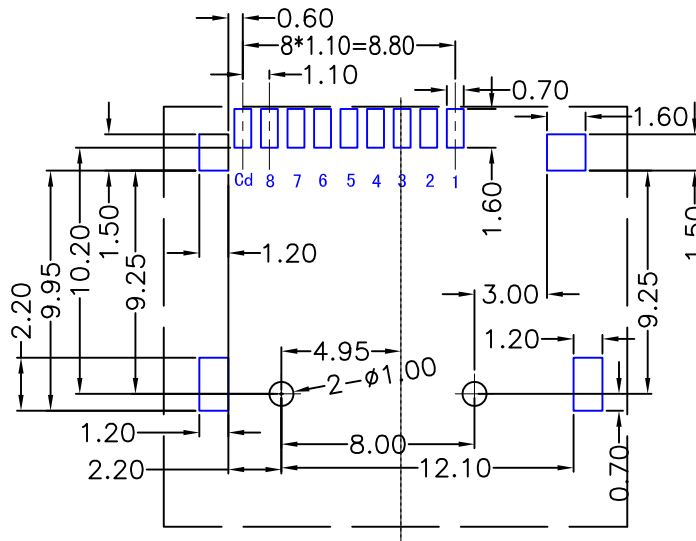


MATERIAL

Operating Force

Inward
Exiting

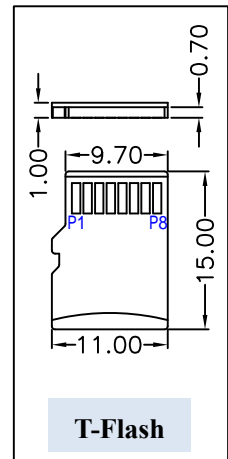
8.0~12.0N. (1N.=100gram-force)
10N. [$\pm 100gf$]



Pin definition



| T-Flash CARD | | | |
|--------------|----------|--------|-----------------------------|
| Pin No. | Pin NAME | Type | Description |
| P① | DAT2 | I/O/PP | Date Line[Bit 2] |
| P② | CD/DAT3 | I/O/PP | Card Detect Date Lin(Bit 3) |
| P③ | CMD | PP | Command Response |
| P④ | VDD | S | Supply voltage |
| P⑤ | CLX | I | Clock |
| P⑥ | Vss | S | Supply voltage ground |
| P⑦ | DAT 0 | I/O/PP | Date Line [Bit 0] |
| P⑧ | DAT 1 | I/O/PP | Date Line [Dit 1] |



T-Flash



本品不屬於危害性廢棄物,須丟棄時可以委託回收商予以回收再生處理。Products do not belong to hazardous waste,When waste can recycling processing

注記 NOTICE

1. 碩方公司擁有最終解釋權; The SOFNG company reserves the right of final interpretation;
2. 文件禁止外洩、轉載; Leaked and reproduced prohibited;
3. 未經授權修改無效。Modify is invalid.

運送時本產品不要直接與水、酸鹼性化學物質接觸,或放置於含有以上氣體環境中,並且需要注意會有滑落、側翻的危險發生; 運輸過程中不能有碰撞或者擠壓,須保證溫度與濕度適中[常溫 25℃,濕度在 50℃以內],不可導致材料變形或氧化。