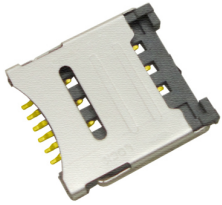




LTEM NO.: SMO-1512 (Consumer Electronics)

(16.3L × 14.6W × 1.8H & MICRO-SIM Sockets)

MEMORY-CARD-SOCKETS



Technical parameter

外焊贴装 SMT

PROJECT	LEVEL	A[better product]	B[average product]
		Contact Rating	
Electrical Properties	Initial Contact Resistance	50mΩ max.	80mΩ max.
	Insulation Resistance	100MΩ min. 500V DC	
	Withstand Voltage	500V AC for 1 minute	350 V AC for 1 minut
Durable Performance	There No Load	5,000 Cycles	3,500 Cycles
	Rated Load	3,500 Cycles	2,500 Cycles
	Storage temp.	-25℃~+85℃(Operating Temp:)	

側向導入 LATERAL

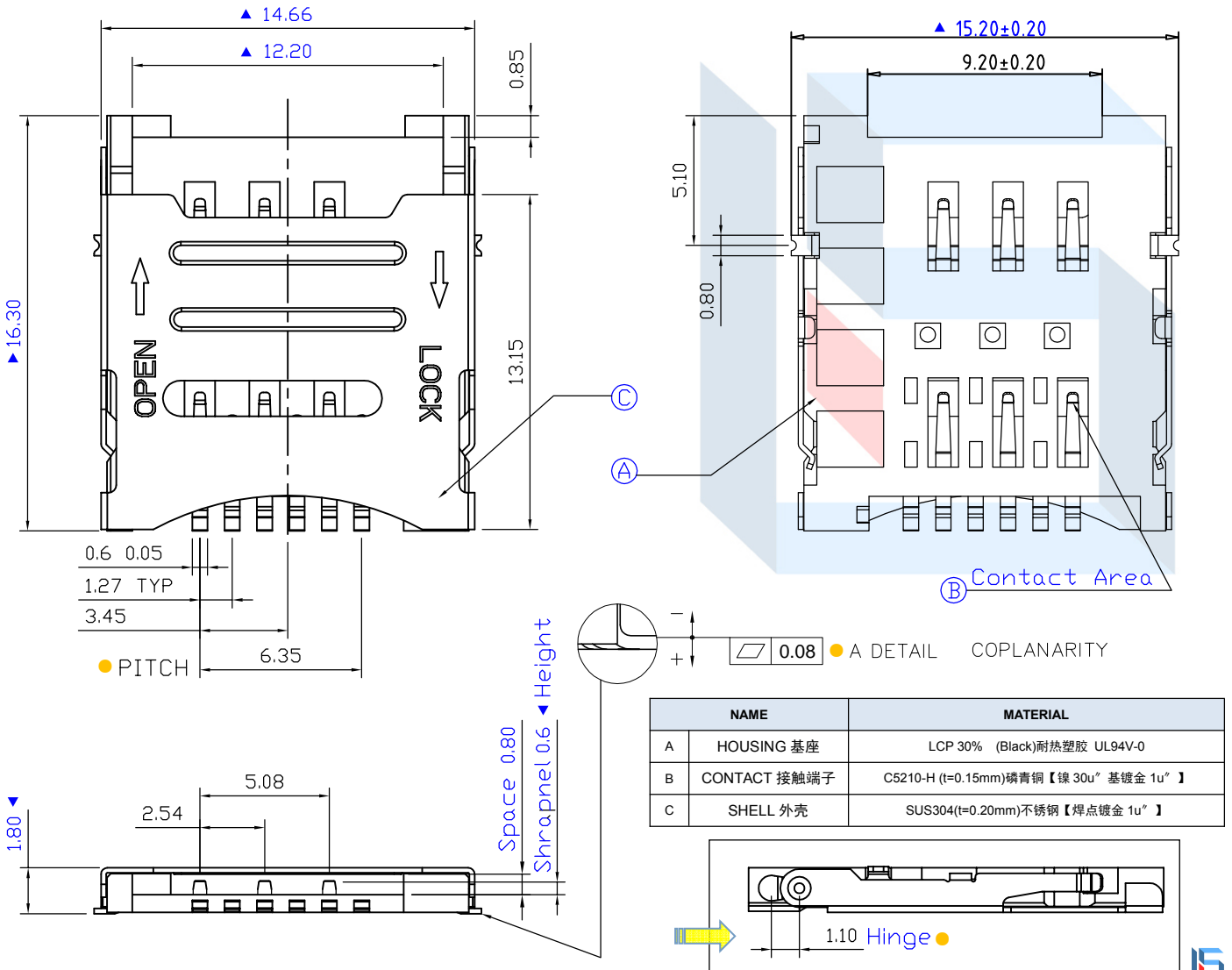
精密部品 NICETY

可靠 STABILIZE

適合環保 RoHS

Page1

Unit:mm

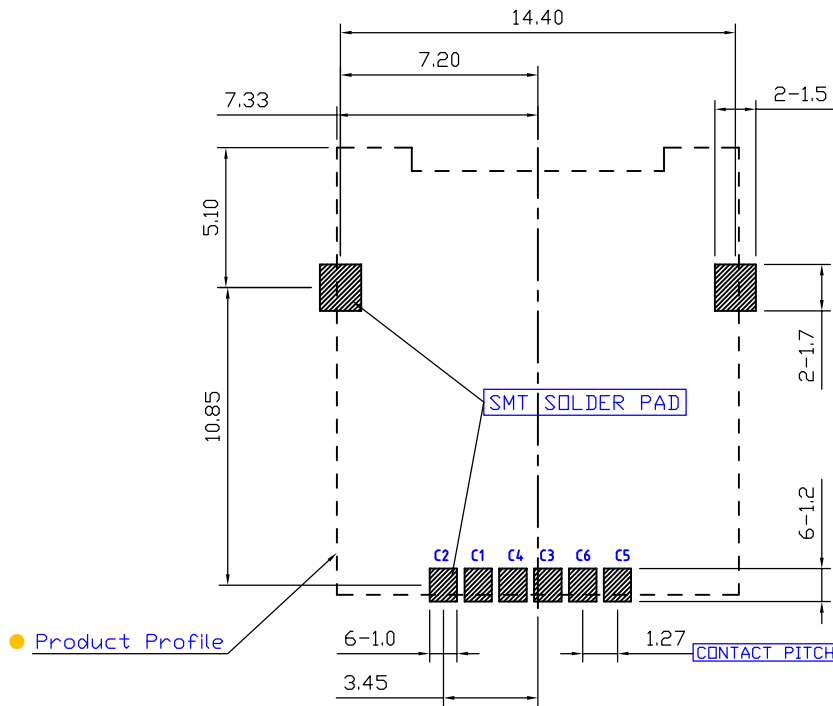
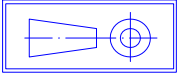


Operating Force

Inward 4.0~5.5N. (1N.=100gram-force)
 Exiting 4.0~5.5N. (1N.=100gram-force)

Solder-ability (Max.)

IR Reflow: 255°C, 5sec. Manual: 350°C, 3sec.

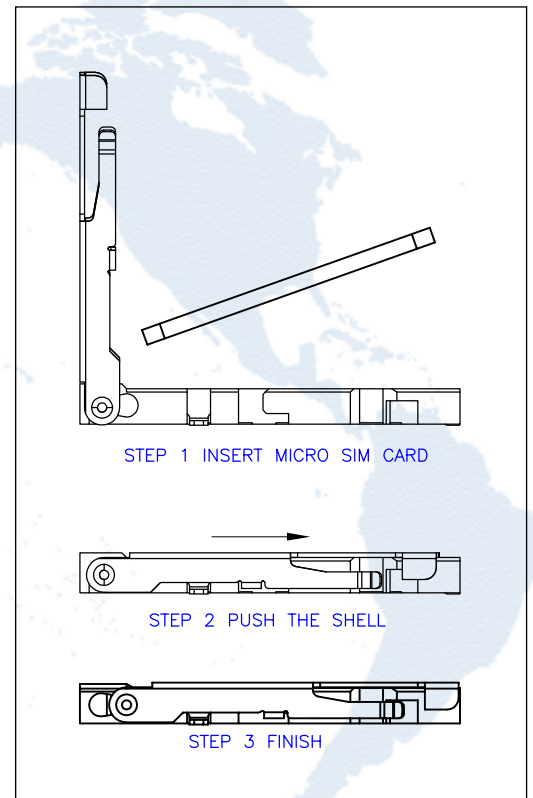
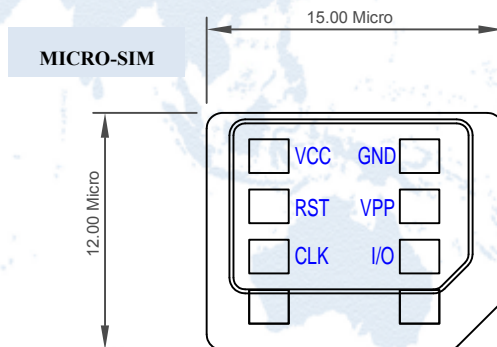


DECIMALS	ANGLES
.X :±0.20	X.° :±1.5°
.XX :±0.10	X.X° :±1.0°
.XXX :±0.05	XXX° :±0.5°

Pin definition



Pin No.	Pin NAME	Type	Description
C ①	卡電源	1	VCC
C ②	復位	1	RST
C ③	時鐘	1	CLK
C ⑤	接地	1	GND
C ⑥	Vpp	1	VPP
C ⑦	輸入/輸出	1	I/O



注記 NOTICE

1. 碩方公司擁有最終解釋權；The SOFNG company reserves the right of final interpretation;
2. 文件禁止外洩、轉載；Leaked and reproduced prohibited;
3. 未經授權修改無效。Modify is invalid.