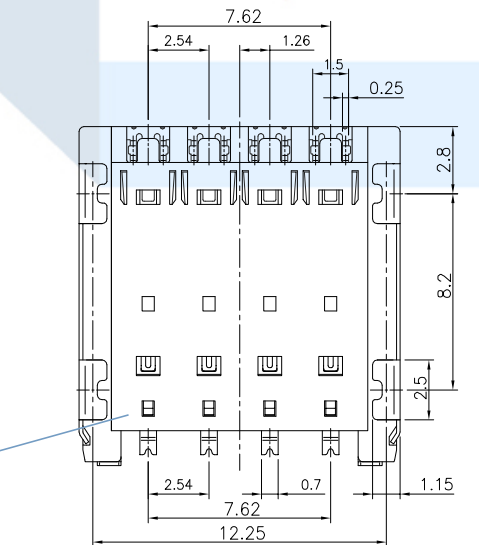
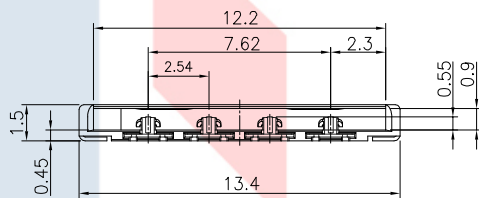
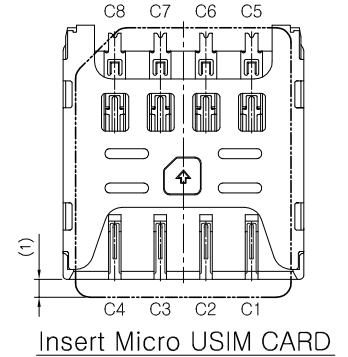
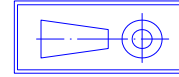
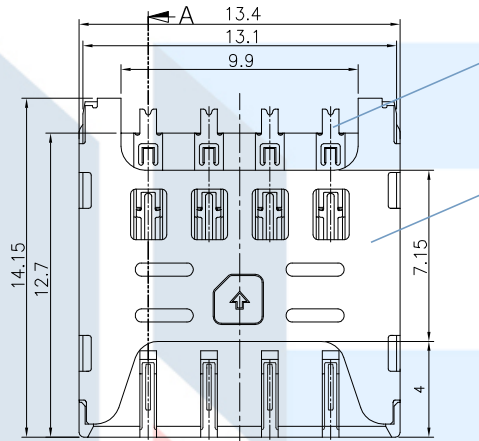


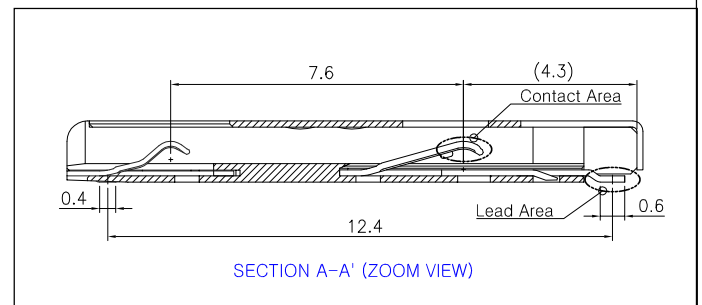


LTEM NO.: SMO-1515-T  
(MICRO-SIM CARD)

Unit:mm



| NAME   | MATERIAL                             | PLATING |
|--------|--------------------------------------|---------|
| A 接触端子 | C5191R-H (t=0.15mm)磷青铜【锡30u" 基镀金1u"】 | -       |
| B 基座   | LCP 30%G/F (Black)耐热塑胶               | G/F     |
| C 外壳   | SUS301-3/4H(t=0.15mm)不锈钢【焊点镀金1u"】    | G/F     |



Technical parameter

| PROJECT               |                            | LEVEL | A [better product]        | B [average product]        | C [low product] |
|-----------------------|----------------------------|-------|---------------------------|----------------------------|-----------------|
| Electrical Properties | Initial Contact Resistance |       | 30mΩ max.                 | 30mΩ max.                  | no data!        |
|                       | Contact Resistance         |       | 100MΩ min. 100V DC        | Skey/PD: 50MΩ min. 100V DC |                 |
|                       | Withstand Voltage          |       | 300V AC for 1min          | 250 V AC for 1min          |                 |
| Durable Performance   | There No Load              |       | 8,000 Cycles              | 7,000 Cycles               | no data!        |
|                       | Rated Load                 |       | 6,500 Cycles<br>50mΩ max. | 5,000 Cycles<br>30mΩ max.  | no data!        |
| Insertion Force       |                            |       | 4.0Kgf MAX (Springback: ) |                            |                 |

表面貼裝 SMT

側向導入 LATERAL

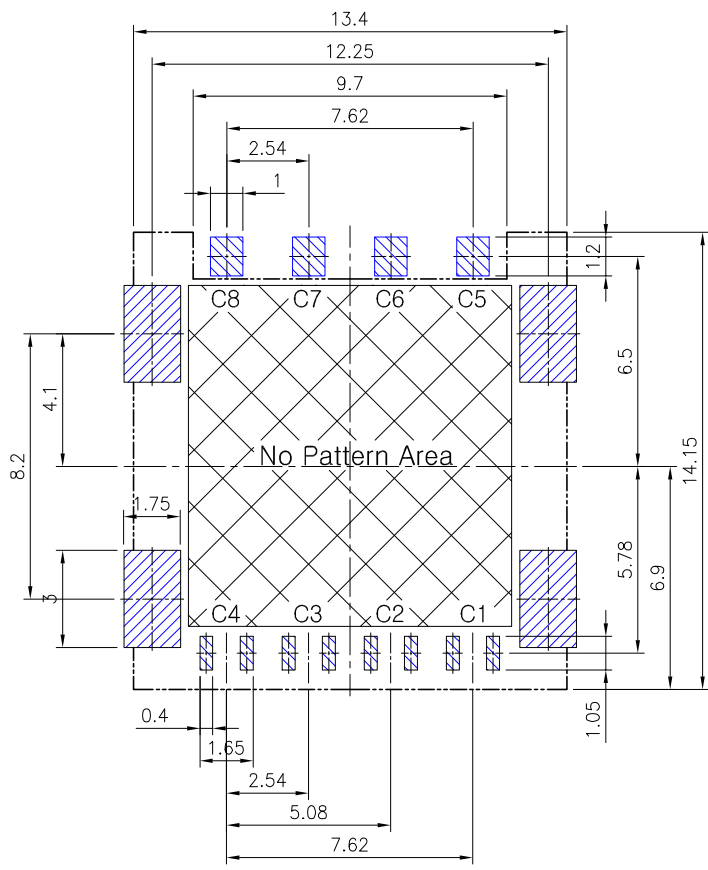
精密部品 NICETY

可靠 STABILIZE

適合環保 RoHS

CIRCUIT BOARD SIZE  
(Vertical view)

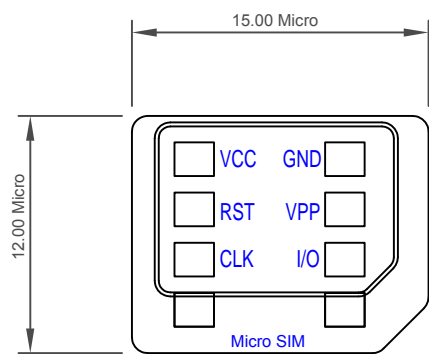
|                        |         |                               |                              |                     |
|------------------------|---------|-------------------------------|------------------------------|---------------------|
| <b>Operating Force</b> | Inward  | 3.0~5.0N. (1N.=100gram-force) | <b>Solder-ability (Max.)</b> |                     |
|                        | Exiting | 3.0~5.0N. (1N.=100gram-force) | IR Reflow:255°C, 5sec.       | Manual:350°C, 3sec. |



| DECIMALS    | ANGLES       |
|-------------|--------------|
| .X :±0.20   | X.° :±1.5°   |
| .XX :±0.10  | X.X° :±1.0°  |
| .XXX :±0.05 | .XXX° :±0.5° |

PIN Assignment

| SIM CARD Pin DESIGN |          |      |             |
|---------------------|----------|------|-------------|
| Pin No.             | Pin NAME | Type | Description |
| C①                  | 卡電源      | 1    | VCC         |
| C②                  | 復位       | 1    | RST         |
| C③                  | 時鐘       | 1    | CLK         |
| C④                  | 保留項      | 1    | Reserved    |
| C⑤                  | 接地       | 1    | GND         |
| C⑥                  | Vpp      | 1    | VPP         |
| C⑦                  | 輸入輸出     | 1    | I/O         |
| C⑧                  | 保留項      | 1    | Reserved    |



MICRO-SIM

注記 NOTICE

1. 碩方電子公司擁有最終解釋權； The company reserves the right of final interpretation；
2. 文件禁止外洩、轉載； Leaked and reproduced prohibited；
3. 未經授權修改無效。 Modify is invalid.