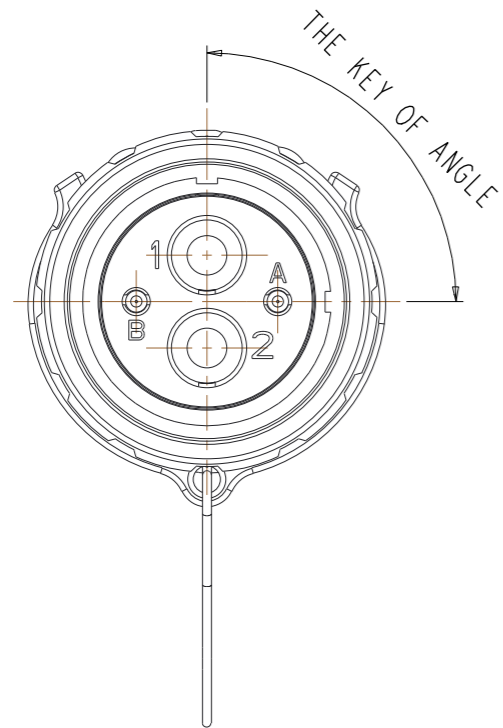
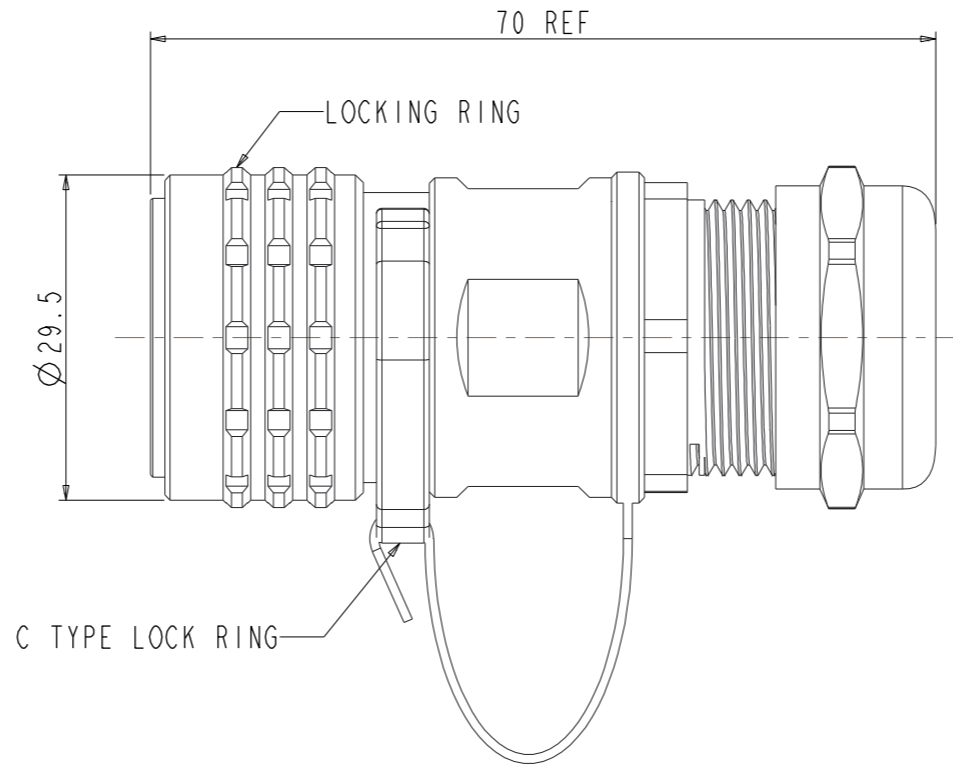


CUSTOMER DRAWING

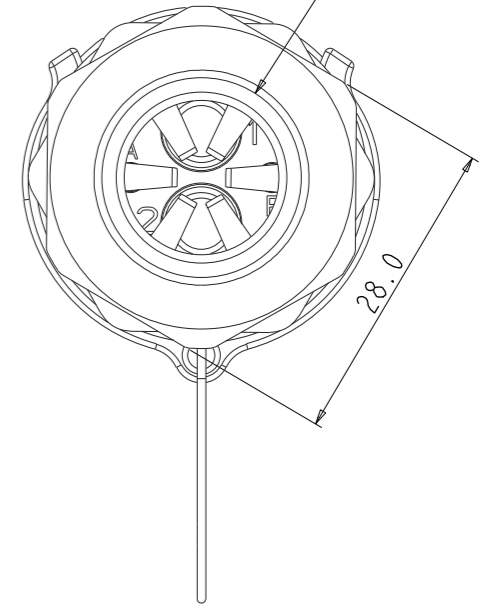
REV	ECN	DESCRIPTION	DATE	MODIFIED
G		UPDATE P/N DESCRIPTION	2016.12.15	ROY.QU



1,2=3.6MM MALE CONTACT
A,B=1.0MM MALE CONTACT



SCOPE OF CABLE OD $\phi 11 \sim \phi 16$



NOTES:

- 1.FINISHED PRODUCT DOES HAVE NOT THE PIN,NEED TO BUY SEPARATE.
- 2.THE BIG PIN P/N FOR 10MM² CABLE:HVG30M10,USE LEVEL:2PCS
THE BIG PIN P/N FOR 6MM² CABLE:HVG30M6,USE LEVEL:2PCS
- 3.THE SMALL PIN P/N:HVG20M1,USE LEVEL:2PCS
- 4.WIHT C TYPE LOCK RING AND CAP.
- 5.TORQUE:10N*M
- 6.THE SCOPE OF CABLE $\phi 11 \sim \phi 16$ AND THE OD OF 6MM² OR 10MM² MUST BE LESS THAN 7.4MM
- 7.IF THE P/N WITHOUT ANGLE CODE,PLEASE DON'T CHOOSE YELLOW LOCKING RING.
OTHER ANGLE AND COLOR CAN BE MATCHED IN ANY COMBINATION

TECHNICAL DATA :	
CURRENT RATE 6MM ² WIRE	40A
CURRENT RATE 10MM ² WIRE	50A
UL RATING VOLTAGE	400VAC,690VDC
POLLUTION DEGREE 2	
OPERATING TEMPERATURE	-40-125°C
DIELECTRIC WITHSTANDING VOLTAGE	3000V
INSULATION RESISTANCE	2000MEGOHMS MIN. (25°C)
DURABILITY	500 CYCLES
SHIELDING	YES
WATERPROOF (mated condition)	IP67
AMBIENT TEMPERATURE	-40~70°

ANGLE CODE	ANGLE OF KEY	COLOR CODE	COLOR OF LOCKING RING	P/N(FOR EXAMPLE)
WITHOUT	0°	WITHOUT	BLACK	HVGIP492MC
X	270°	R	RED	HVGIP492MCXR
Y	315°	Y	YELLOW	HVGIP492MCYY
Z	90°	B	BLUE	HVGIP492MCZB
W	45°	G	GREEN	HVGIP492MCWG

DIMENSIONS ANSI Y14.5M UNITS: MM Pro/E FILE	TOLERANCES X ±0.3 .XX ±0.20 ANGLES ±0.1°	PROJECTION 	Amphenol Pcd Shenzhen		TITLE TWO CORE PLUG ASSEMBLY WITH INTERLOCK		
			ENGR ROY.QU	2016.12.15	SIZE A3	DWG NO. HVGIP-492MCX-XX	REV G
ORIGINAL NOT FOR CUSTOMER DISTRIBUTION	THIS DOCUMENT CONTAINS PROPRIETARY INFORMATION WHICH IS THE CONFIDENTIAL PROPERTY OF AMPHENOL PCD SHENZHEN		CHKD APPD	CODE: 58982	SCALE: 3:2	SHEET 1 OF 1	