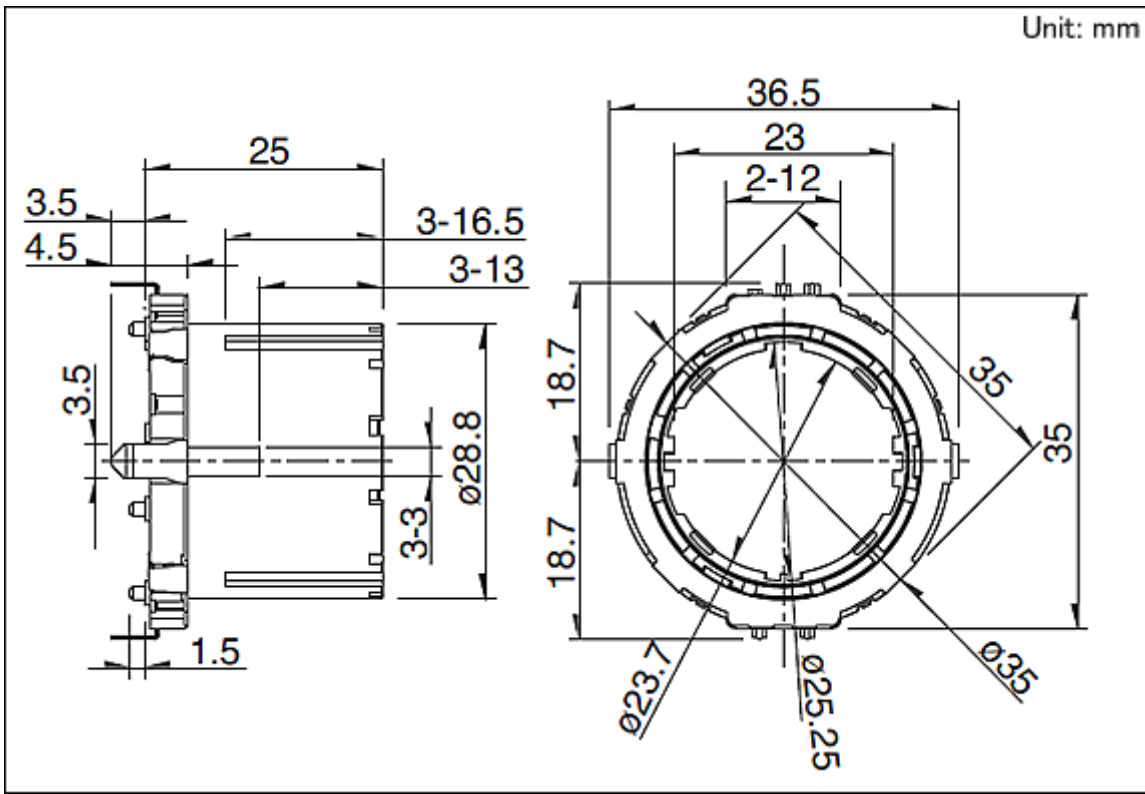




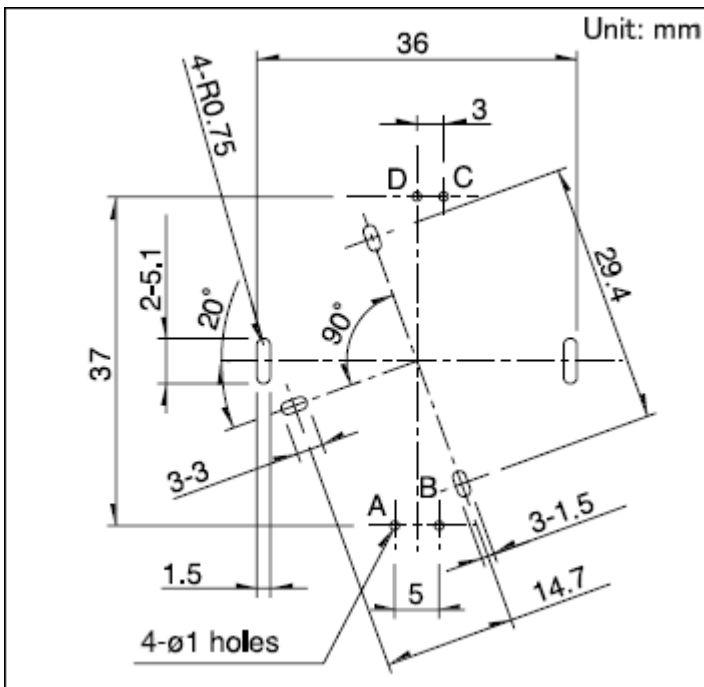
35mm Size ABC Switch Type EC35AH/EC35CH Series

Actuator length		25mm
Detent torque		30±15mN·m
Number of detent		30
Number of pulse		10
Operating temperature range		-40°C to +85°C
Electrical performance	Ratings	10mA 5V DC
	Output signal	Three phase A,B and C
	Max./min. operating current(Resistive load)	10mA/1mA
	Insulation resistance	100MΩ min. 250V DC
	Voltage proof	300V AC for 1 minute or 360V AC for 2s
Mechanical performance	Actuator strength	Pushing direction 100N
		Pulling direction 100N
Durability	Operating life	50,000 cycles
Minimum order unit (pcs.)	Japan	350
	Export	700

Dimensions

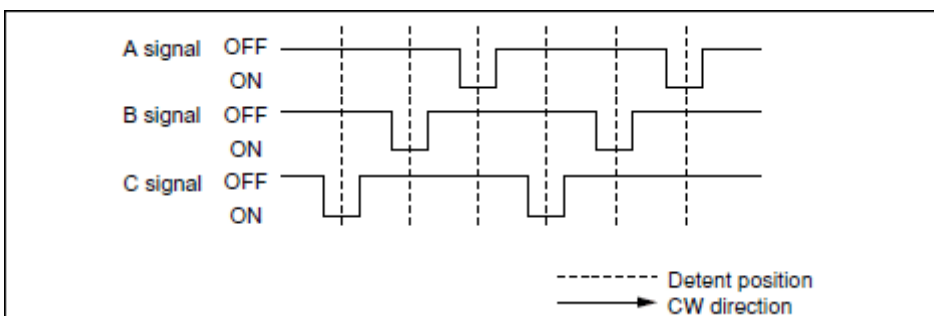


Mounting Hole Dimensions

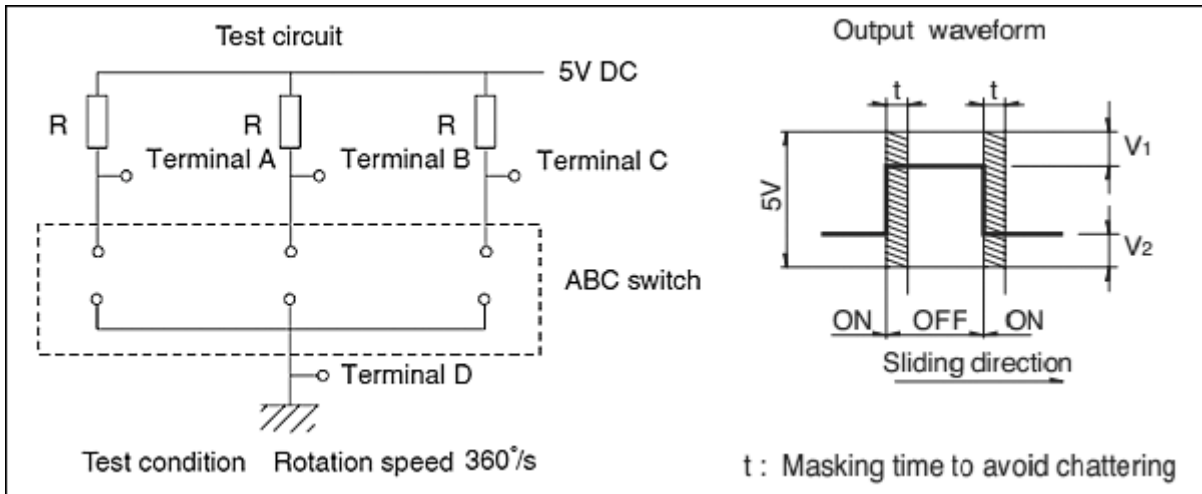


Viewed from mounting side

Output Wave



Sliding Noise



$V_1=V_2=2.5V$ max.

At $R = 5k\Omega$ Chattering : 5ms max. Bounce : 5ms max.

Packing Specifications

Tray

Number of packages (pcs.)	1 case / Japan	350
	1 case / export packing	700

Export package measurements (mm) 540×360×380

Soldering Conditions

Reference for Dip Soldering

Preheating	Soldering surfacetemperature	100°C max.
	Heating time	2 min. max.
Dip soldering	Soldering temperature	260±5°C
	Soldering time	5±1s
No. of solders		2 time max.

Reference for Hand Soldering

Tip temperature		350°C max.
Soldering time		3s max.
No. of solders		1 time

Notes are common to this series/models.

1. This site catalog shows only outline specifications. When using the products, please obtain formal specifications for supply.
2. Please place purchase orders per minimum order unit (integer).
3. This products can be used in vehicles.

Although these products are designed to perform over a wide operating temperature range, please ensure that you receive and read the formal delivery specifications before use.