

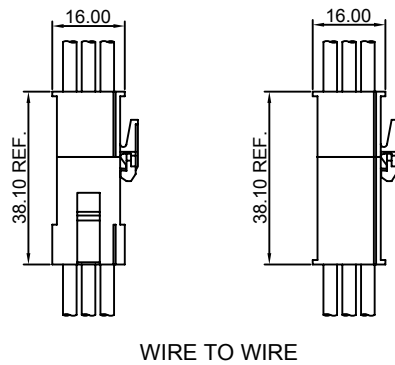
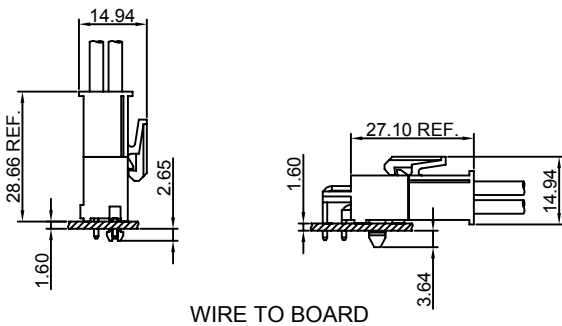
Specifications

- Current rating: 9A AC, DC max
- Voltage rating: 600V AC, DC
- Temperature range: -40°C ~ +105°C
- Contact resistance: 20mΩ Max.
- Insulation resistance: 1000MΩ Min.
- Withstanding voltage: 1500V AC/minute
- *Compliant with RoHS and REACH*
- *Meet the HF/Halogen Free, GWT/Glow wire Test (IEC60335-1) request, need to customize*
- *Contact CJT for details*

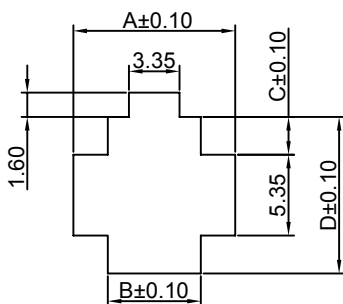
Standards



Assembly layout



Panel hole layout



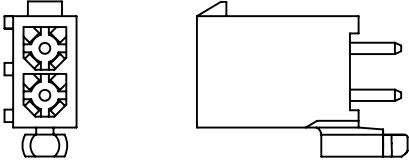
| PART NO. | Dimensions | | | |
|--------------|------------|-------|------|-------|
| | A | B | C | D |
| C4140HM-2P | 10.70 | 6.15 | 2.50 | 10.35 |
| C4140HM-3P | 10.70 | 6.15 | 4.60 | 14.55 |
| C4140HM-2x2P | 14.90 | 10.35 | 2.50 | 10.35 |
| C4140HM-2x3P | 19.10 | 14.55 | 2.50 | 10.35 |
| C4140HM-2x4P | 23.30 | 18.75 | 2.50 | 10.35 |
| C4140HM-2x5P | 27.50 | 22.95 | 2.50 | 10.35 |
| C4140HM-2x6P | 31.70 | 27.15 | 2.50 | 10.35 |
| C4140HM-2x7P | 35.90 | 31.35 | 2.50 | 10.35 |

| PART NO. | Dimensions | | | |
|---------------|------------|-------|------|-------|
| | A | B | C | D |
| C4140HM-2x8P | 40.10 | 35.55 | 2.50 | 10.35 |
| C4140HM-2x9P | 44.30 | 39.75 | 2.50 | 10.35 |
| C4140HM-2x10P | 48.50 | 43.95 | 2.50 | 10.35 |
| C4140HM-2x11P | 52.70 | 48.15 | 2.50 | 10.35 |
| C4140HM-2x12P | 56.90 | 52.35 | 2.50 | 10.35 |
| C4140HM-3x3P | 19.10 | 14.55 | 4.60 | 14.55 |
| C4140HM-3x4P | 23.30 | 18.75 | 4.60 | 14.55 |
| C4140HM-3x5P | 27.50 | 22.95 | 4.60 | 14.55 |

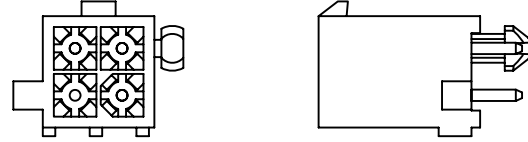
Unit:mm

180° Wafer

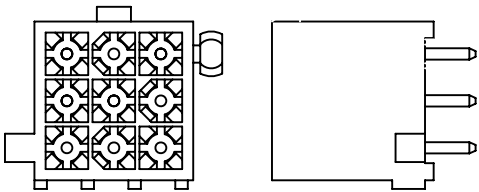
2P and 3P Circuit , Single Row



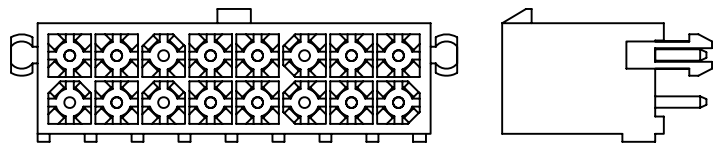
2x2P,2x3P,2x4P,2x5P and 2x6P Circuit , Dual Row



3x3P,3x4P and 3x5P Circuit , Triple Row

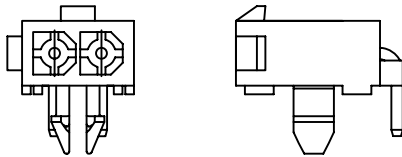


2x7P,2x8P,2x9P,2x10P,2x11P and 2x12P Circuit , Dual Row

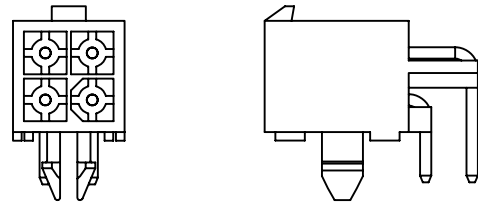


90° Wafer

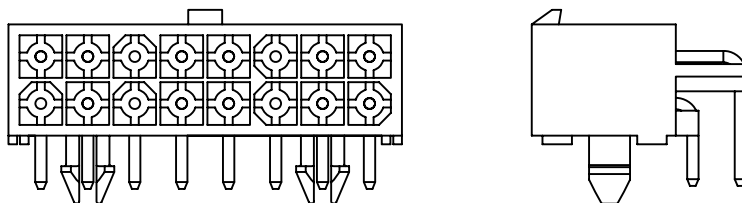
2P and 3P Circuit , Single Row



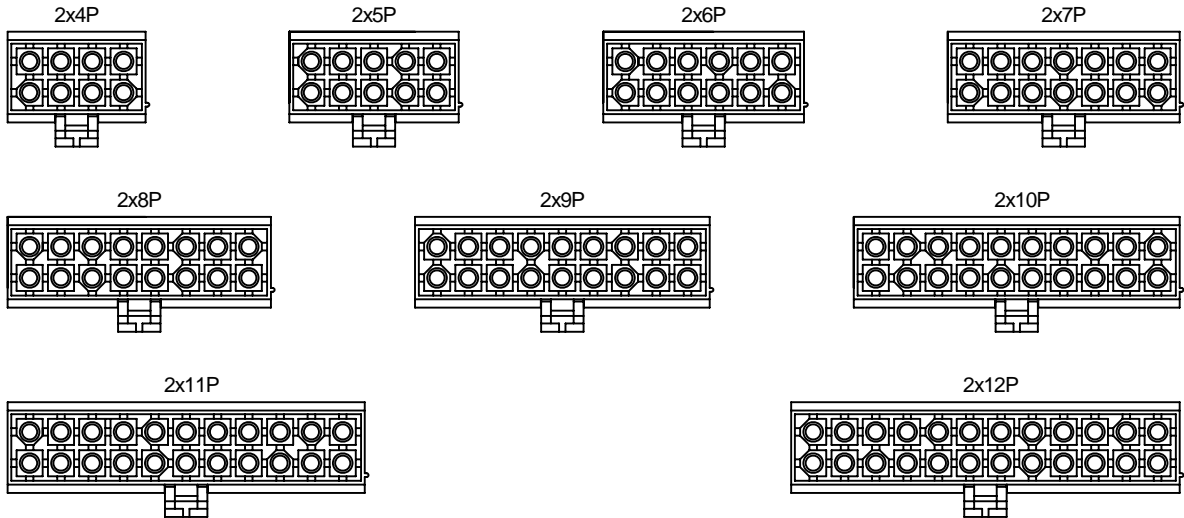
2x2P,2x3P,2x4P,2x5P and 2x6P Circuit , Dual Row



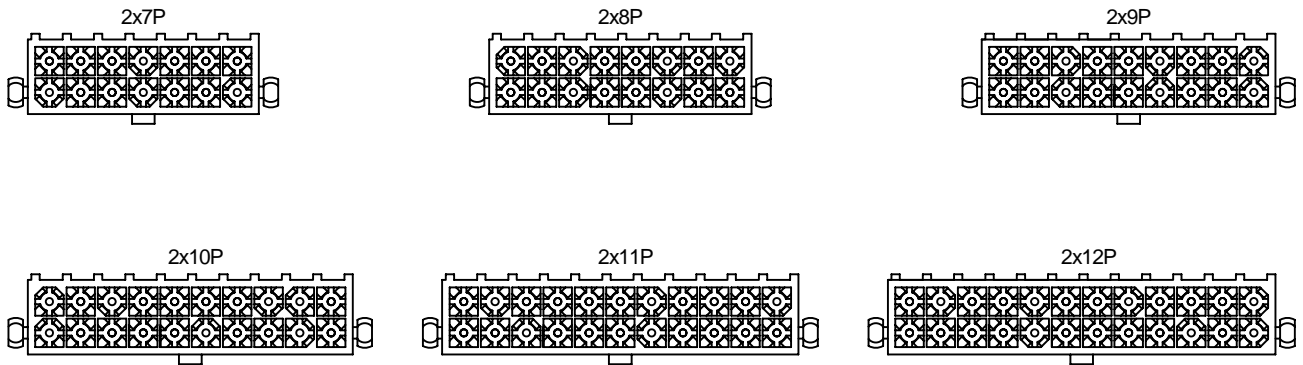
2x7P,2x8P,2x9P,2x10P,2x11P and 2x12P Circuit , Dual Row



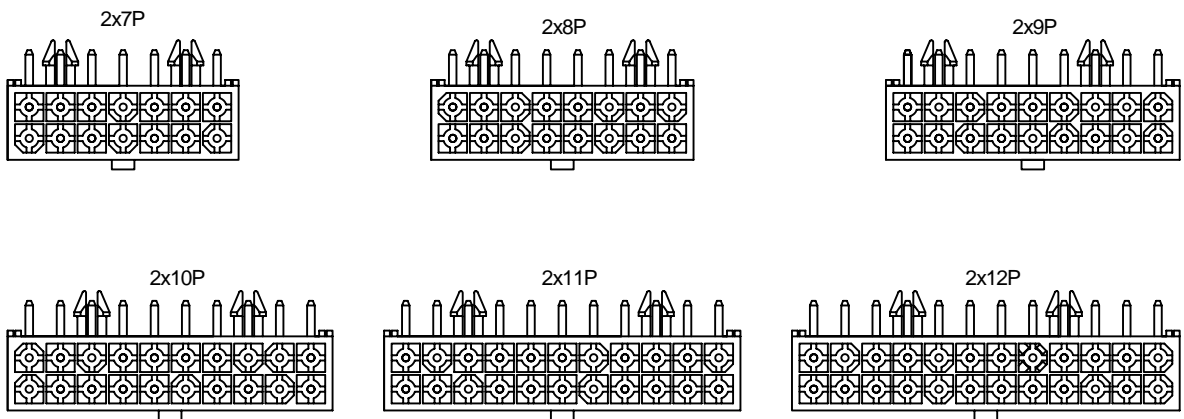
C4140HF-2



C4140WV-2



C4140WR-2

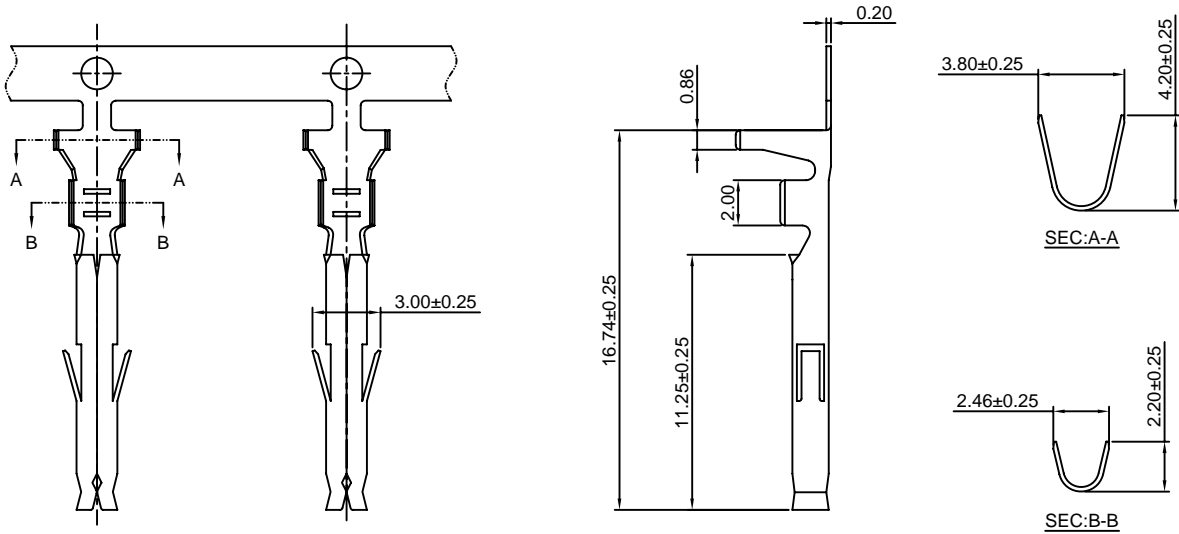


C4140F-T

4.14mm pitch Crimp Terminal

Reference Informations:

*Used in CJT C4140HF series Housing



Ordering information & Specifications:

Unit:mm

| Part NO. | Wire Range | Insulation O.D. | Material | Finish | Qty/reel |
|-----------|------------|-----------------|-----------------|------------------|-----------|
| C4140F-TB | AWG#18-#22 | 2.40mm(max) | Brass | Tin over Nickel | 4,000 PCS |
| C4140F-TP | AWG#18-#22 | 2.40mm(max) | Phosphor Bronze | Tin over Nickel | 4,000 PCS |
| C4140F-GB | AWG#18-#22 | 2.40mm(max) | Brass | Gold over Nickel | 4,000 PCS |
| C4140F-GP | AWG#18-#22 | 2.40mm(max) | Phosphor Bronze | Gold over Nickel | 4,000 PCS |

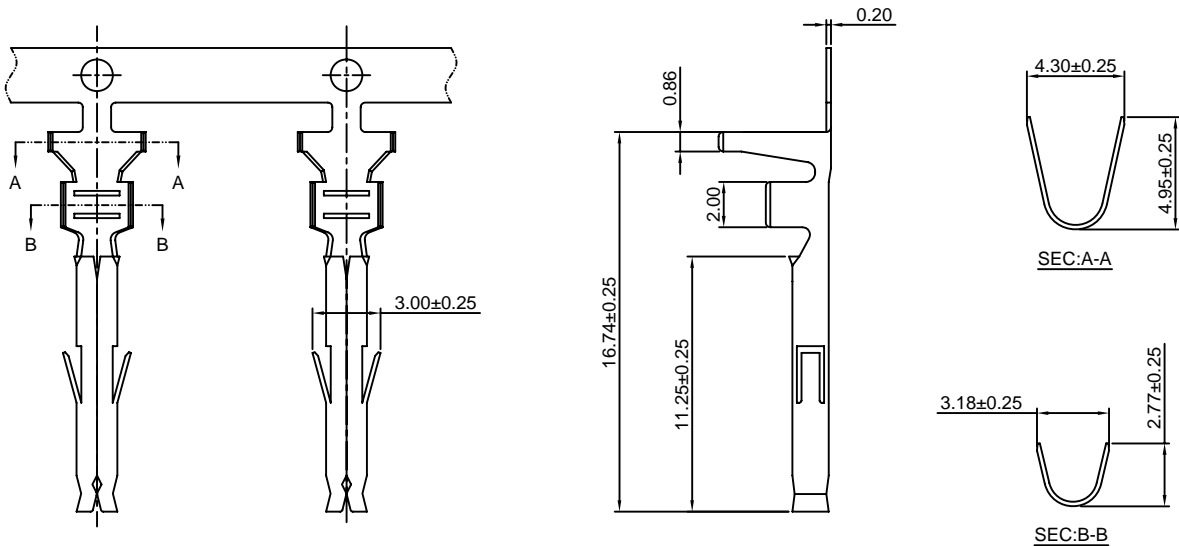
Optional Gold plating available but MOQ requested

C4140F-T-H

4.14mm pitch Crimp Terminal

Reference Informations:

*Used in CJT C4140HF series Housing



Ordering information & Specifications:

Unit:mm

| Part NO. | Wire Range | Insulation O.D. | Material | Finish | Qty/reel |
|-------------|------------|-----------------|-----------------|------------------|-----------|
| C4140F-TB-H | AWG#16-#20 | 3.20mm(max) | Brass | Tin over Nickel | 4,000 PCS |
| C4140F-TP-H | AWG#16-#20 | 3.20mm(max) | Phosphor Bronze | Tin over Nickel | 4,000 PCS |
| C4140F-GB-H | AWG#16-#20 | 3.20mm(max) | Brass | Gold over Nickel | 4,000 PCS |
| C4140F-GP-H | AWG#16-#20 | 3.20mm(max) | Phosphor Bronze | Gold over Nickel | 4,000 PCS |

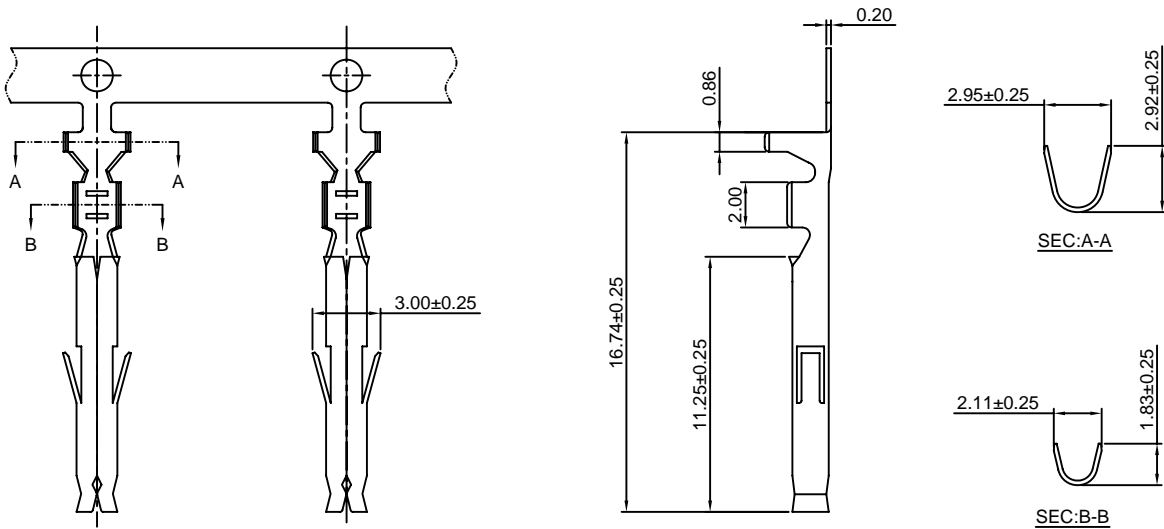
Optional Gold plating available but MOQ requested

C4140F-T-L

4.14mm pitch Crimp Terminal

Reference Informations:

*Used in CJT C4140HF series Housing



Ordering information & Specifications:

Unit:mm

| Part NO. | Wire Range | Insulation O.D. | Material | Finish | Qty/reel |
|-------------|------------|-----------------|-----------------|------------------|-----------|
| C4140F-TB-L | AWG#22-#26 | 1.75mm(max) | Brass | Tin over Nickel | 5,000 PCS |
| C4140F-TP-L | AWG#22-#26 | 1.75mm(max) | Phosphor Bronze | Tin over Nickel | 5,000 PCS |
| C4140F-GB-L | AWG#22-#26 | 1.75mm(max) | Brass | Gold over Nickel | 5,000 PCS |
| C4140F-GP-L | AWG#22-#26 | 1.75mm(max) | Phosphor Bronze | Gold over Nickel | 5,000 PCS |

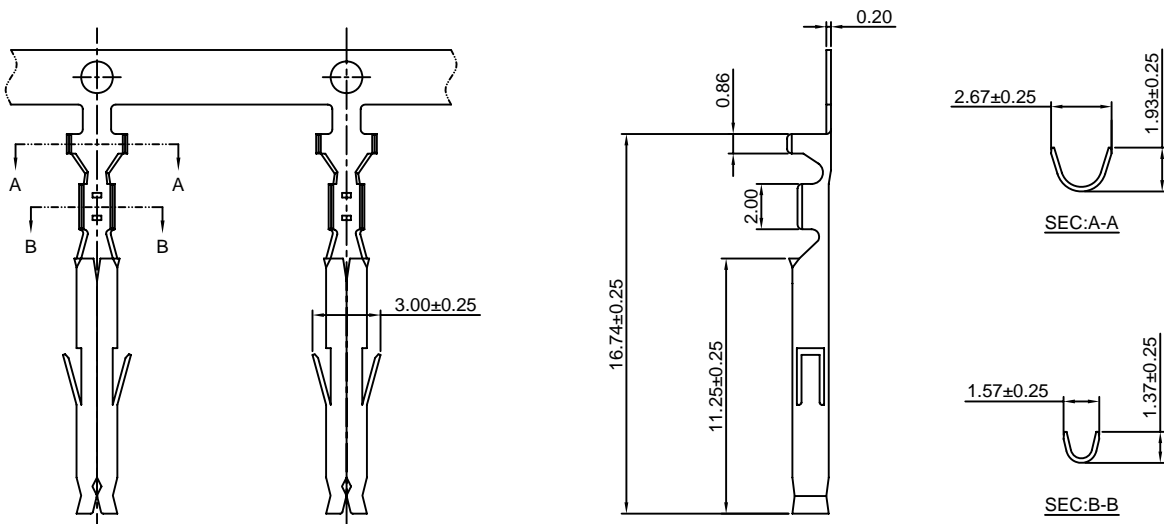
Optional Gold plating available but MOQ requested

C4140F-T-LL

4.14mm pitch Crimp Terminal

Reference Informations:

*Used in CJT C4140HF series Housing



Ordering information & Specifications:

Unit:mm

| Part NO. | Wire Range | Insulation O.D. | Material | Finish | Qty/reel |
|--------------|------------|-----------------|-----------------|------------------|-----------|
| C4140F-TB-LL | AWG#26-#30 | 1.00mm(max) | Brass | Tin over Nickel | 4,000 PCS |
| C4140F-TP-LL | AWG#26-#30 | 1.00mm(max) | Phosphor Bronze | Tin over Nickel | 4,000 PCS |
| C4140F-GB-LL | AWG#26-#30 | 1.00mm(max) | Brass | Gold over Nickel | 4,000 PCS |
| C4140F-GP-LL | AWG#26-#30 | 1.00mm(max) | Phosphor Bronze | Gold over Nickel | 4,000 PCS |

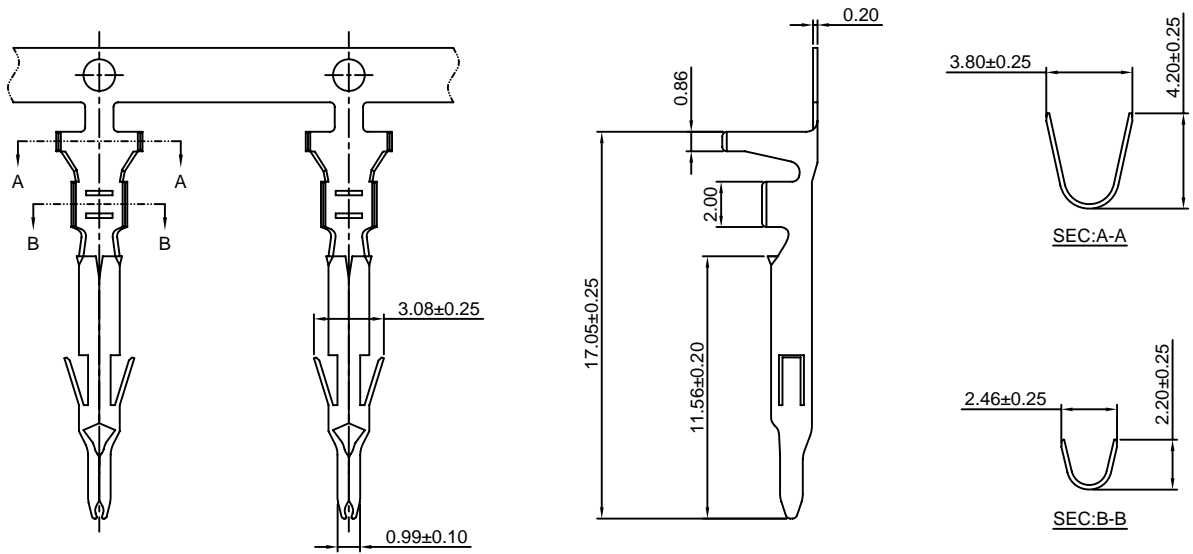
Optional Gold plating available but MOQ requested

C4140M-T

4.14mm pitch Crimp Terminal

Reference Informations:

*Used in CJT C4140HM series Housing



Ordering information & Specifications:

Unit:mm

| Part NO. | Wire Range | Insulation O.D. | Material | Finish | Qty/reel |
|-----------|------------|-----------------|-----------------|------------------|-----------|
| C4140M-TB | AWG#18-#22 | 2.40mm(max) | Brass | Tin over Nickel | 4,000 PCS |
| C4140M-TP | AWG#18-#22 | 2.40mm(max) | Phosphor Bronze | Tin over Nickel | 4,000 PCS |
| C4140M-GB | AWG#18-#22 | 2.40mm(max) | Brass | Gold over Nickel | 4,000 PCS |
| C4140M-GP | AWG#18-#22 | 2.40mm(max) | Phosphor Bronze | Gold over Nickel | 4,000 PCS |

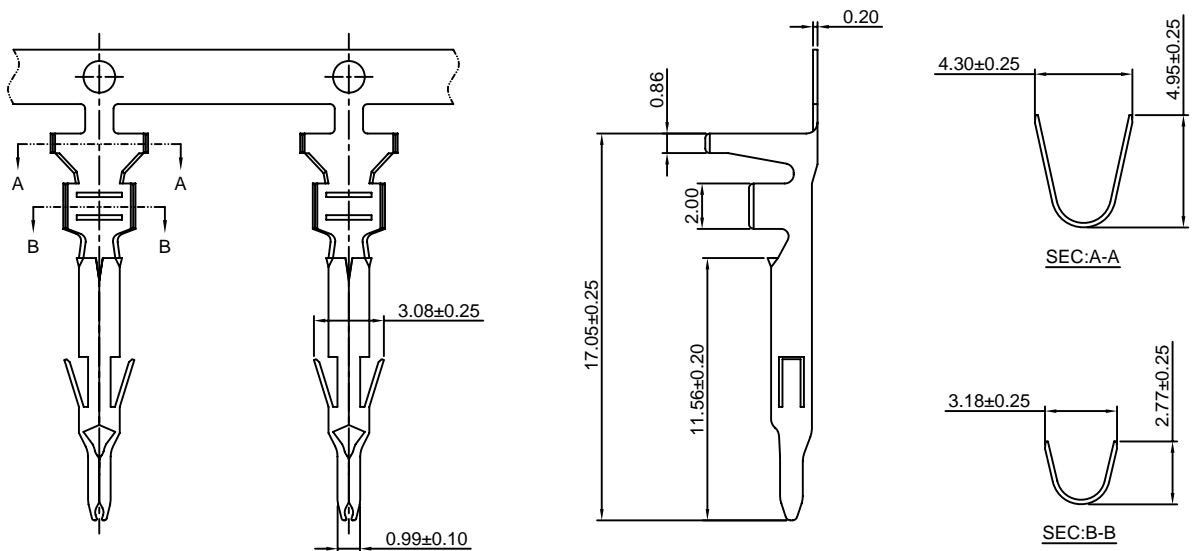
Optional Gold plating available but MOQ requested

C4140M-T-H

4.14mm pitch Crimp Terminal

Reference Informations:

*Used in CJT C4140HM series Housing



Ordering information & Specifications:

Unit:mm

| Part NO. | Wire Range | Insulation O.D. | Material | Finish | Qty/reel |
|-------------|------------|-----------------|-----------------|------------------|-----------|
| C4140M-TB-H | AWG#16-#20 | 3.20mm(max) | Brass | Tin over Nickel | 4,000 PCS |
| C4140M-TP-H | AWG#16-#20 | 3.20mm(max) | Phosphor Bronze | Tin over Nickel | 4,000 PCS |
| C4140M-GB-H | AWG#16-#20 | 3.20mm(max) | Brass | Gold over Nickel | 4,000 PCS |
| C4140M-GP-H | AWG#16-#20 | 3.20mm(max) | Phosphor Bronze | Gold over Nickel | 4,000 PCS |

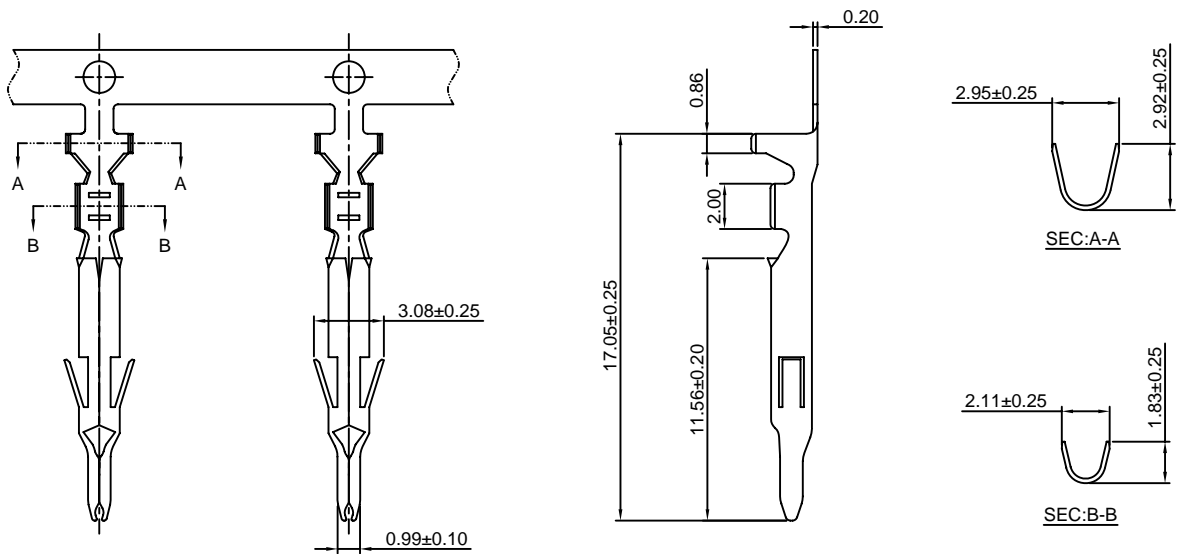
Optional Gold plating available but MOQ requested

C4140M-T-L

4.14mm pitch Crimp Terminal

Reference Informations:

*Used in CJT C4140HM series Housing



Ordering information & Specifications:

Unit:mm

| Part NO. | Wire Range | Insulation O.D. | Material | Finish | Qty/reel |
|-------------|------------|-----------------|-----------------|------------------|-----------|
| C4140M-TB-L | AWG#22-#26 | 1.75mm(max) | Brass | Tin over Nickel | 4,000 PCS |
| C4140M-TP-L | AWG#22-#26 | 1.75mm(max) | Phosphor Bronze | Tin over Nickel | 4,000 PCS |
| C4140M-GB-L | AWG#22-#26 | 1.75mm(max) | Brass | Gold over Nickel | 4,000 PCS |
| C4140M-GP-L | AWG#22-#26 | 1.75mm(max) | Phosphor Bronze | Gold over Nickel | 4,000 PCS |

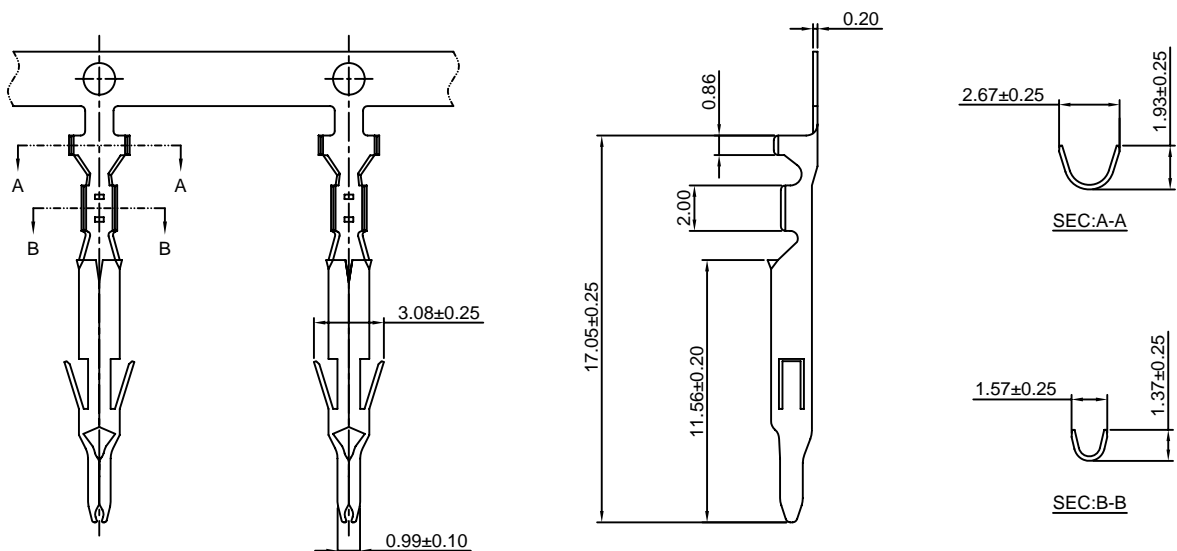
Optional Gold plating available but MOQ requested

C4140M-T-LL

4.14mm pitch Crimp Terminal

Reference Informations:

*Used in CJT C4140HM series Housing



Ordering information & Specifications:

Unit:mm

| Part NO. | Wire Range | Insulation O.D. | Material | Finish | Qty/reel |
|--------------|------------|-----------------|-----------------|------------------|-----------|
| C4140M-TB-LL | AWG#26-#30 | 1.00mm(max) | Brass | Tin over Nickel | 4,000 PCS |
| C4140M-TP-LL | AWG#26-#30 | 1.00mm(max) | Phosphor Bronze | Tin over Nickel | 4,000 PCS |
| C4140M-GB-LL | AWG#26-#30 | 1.00mm(max) | Brass | Gold over Nickel | 4,000 PCS |
| C4140M-GP-LL | AWG#26-#30 | 1.00mm(max) | Phosphor Bronze | Gold over Nickel | 4,000 PCS |

Optional Gold plating available but MOQ requested

C4140H

4.20mm Pitch Housing

Reference Informations:

- *Material: Nylon 66, UL94V-2 or UL94V-0
- *C4140HM (Suitable Terminal: C4140M-T(-H/-L/-LL))
- *C4140HF (Suitable Terminal: C4140F-T(-H/-L/-LL))

Ordering Information:

C4140HF/HM(A)-XP - ***
 $\frac{1}{2}$

1. Part No.

2. Material:

(blank): Nylon 66, UL94V-2/Natural

V0: Nylon 66, UL94V-0/White

GWT: Nylon 66, UL94V-0, GWT 750°C

Unit: mm

| C4140HM(A) | C4140HF |
|---------------------------|---------------------------|
| <p>C4140HM-1P</p> | <p>C4140HF-1P</p> |
| <p>C4140HM-2P</p> | <p>C4140HF-2P</p> |
| <p>C4140HMA-2P</p> | <p>C4140HF-3P</p> |
| <p>C4140HM-3P</p> | <p>C4140HMA-3P</p> |

C4140H

4.20mm Pitch Housing

Reference Informations:

- *Material: Nylon 66, UL94V-2 or UL94V-0
- *C4140HM (Suitable Terminal: C4140M-T(-H/-L/-LL))
- *C4140HF (Suitable Terminal: C4140F-T(-H/-L/-LL))
- *Color: Natural

Ordering Information:

C4140HF/HM(A)-2xXP - ***
1 2

- 1. Part No.
- 2. Material:
(blank): Nylon 66, UL94V-2/Natural
V0: Nylon 66, UL94V-0/White
GWT: Nylon 66, UL94V-0, GWT 750°C

Ordering Information:

C4140HF/HM(A)-3xXP - ***
1 2

- 1. Part No.
- 2. Material:
(blank): Nylon 66, UL94V-2/Natural
V0: Nylon 66, UL94V-0/White
GWT: Nylon 66, UL94V-0, GWT 750°C

Unit: mm

| C4140HM(A) | C4140HF |
|-----------------------------|-----------------------------|
| <p><u>C4140HM-2x2P</u></p> | <p><u>C4140HF-2x2P</u></p> |
| <p><u>C4140HMA-2x2P</u></p> | <p><u>C4140HF-2x3P</u></p> |
| <p><u>C4140HM-2x3P</u></p> | <p><u>C4140HMA-2x3P</u></p> |
| <p><u>C4140HM-2x3P</u></p> | <p><u>C4140HF-2x3P</u></p> |

C4140H

4.20mm Pitch Housing

Unit: mm

| C4140HM(A) | C4140HF |
|-----------------------------|----------------------------|
| <p><u>C4140HM-3x3P</u></p> | <p><u>C4140HF-3x3P</u></p> |
| <p><u>C4140HMA-3x3P</u></p> | <p><u>C4140HF-3x3P</u></p> |
| <p><u>C4140HM-3x4P</u></p> | <p><u>C4140HF-3x4P</u></p> |
| <p><u>C4140HMA-3x4P</u></p> | <p><u>C4140HF-3x4P</u></p> |
| <p><u>C4140HM-3x5P</u></p> | <p><u>C4140HF-3x5P</u></p> |
| <p><u>C4140HMA-3x5P</u></p> | <p><u>C4140HF-3x5P</u></p> |

C4140WV and WR

4.14mm Pitch Wafer

Reference Informations:

*Material: Pin: Brass/Tin over Nickel or Gold over Nickel
Insulator: Nylon 66, UL94V-0

*Mates with CJT C4140HF series Housing

*Color: White

Ordering Information:

C4140WV/WR-2xXP - *** - ***
1 2 3

1. Part No.

2. Material:

(blank): Nylon 66, UL94V-0

GWT: Nylon 66, UL94V-0, GWT 750°C

3. Finish:

(blank): Tin over Nickel

G: Gold-flash

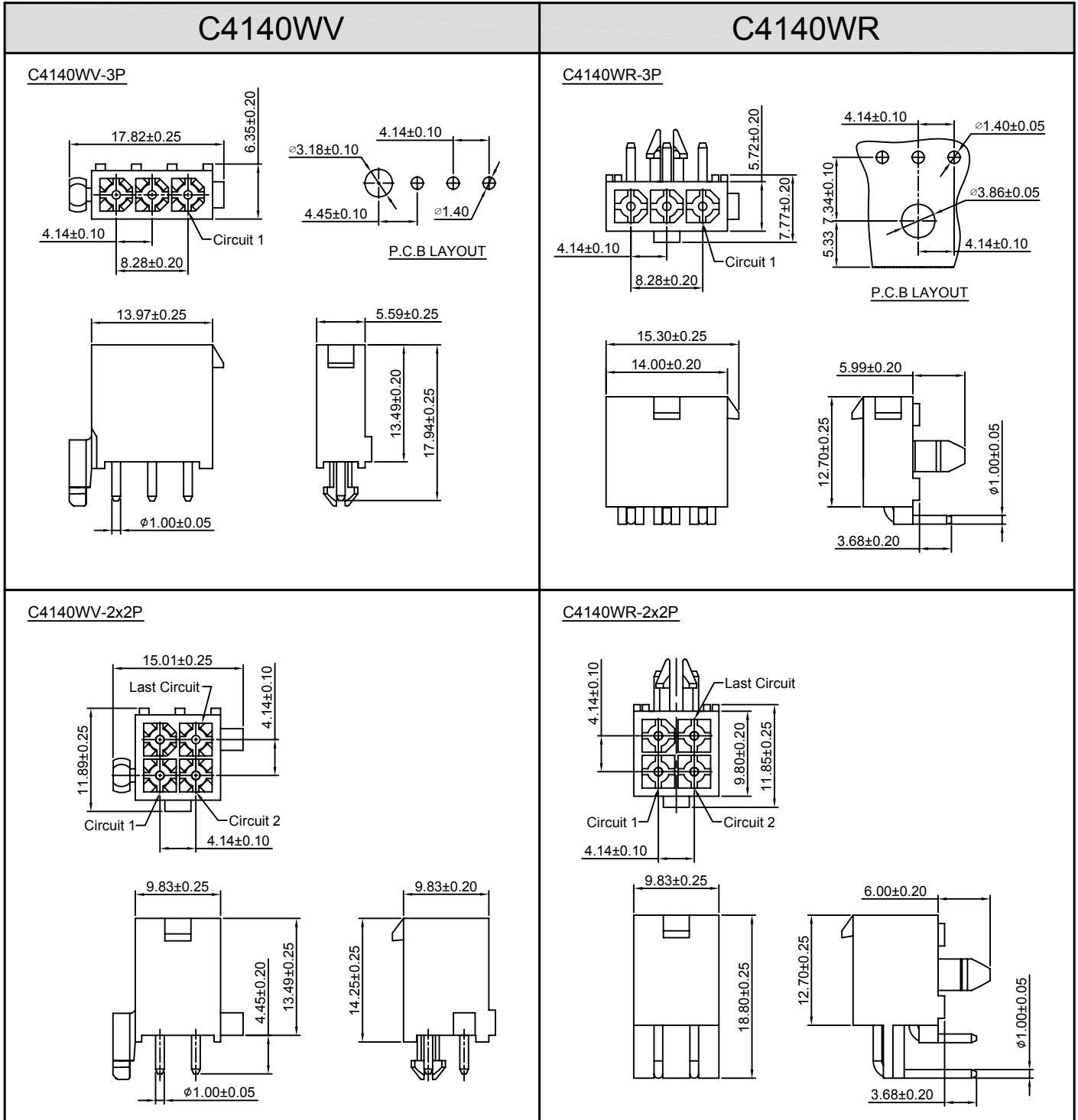
G15: 15µm (0.38µm) MIN. Select Gold (Mating Area)

100µm (2.54µm) MIN. Select Tin

G30: 30µm (0.76µm) MIN. Select Gold (Mating Area)

100µm (2.54µm) MIN. Select Tin

Unit: mm



C4140WV and WR

4.14mm Pitch Wafer

Reference Informations:

*Material: Pin: Brass/Tin over Nickel or Gold over Nickel
Insulator: Nylon 66, UL94V-0

*Mates with CJT C4140HF series Housing

*Color: White

Ordering Information:

C4140WV/WR-2xXP - *** - ***
1 2 3

1. Part No.

2. Material:

(blank): Nylon 66, UL94V-0

GWT: Nylon 66, UL94V-0, GWT 750°C

3. Finish:

(blank): Tin over Nickel

G: Gold-flash

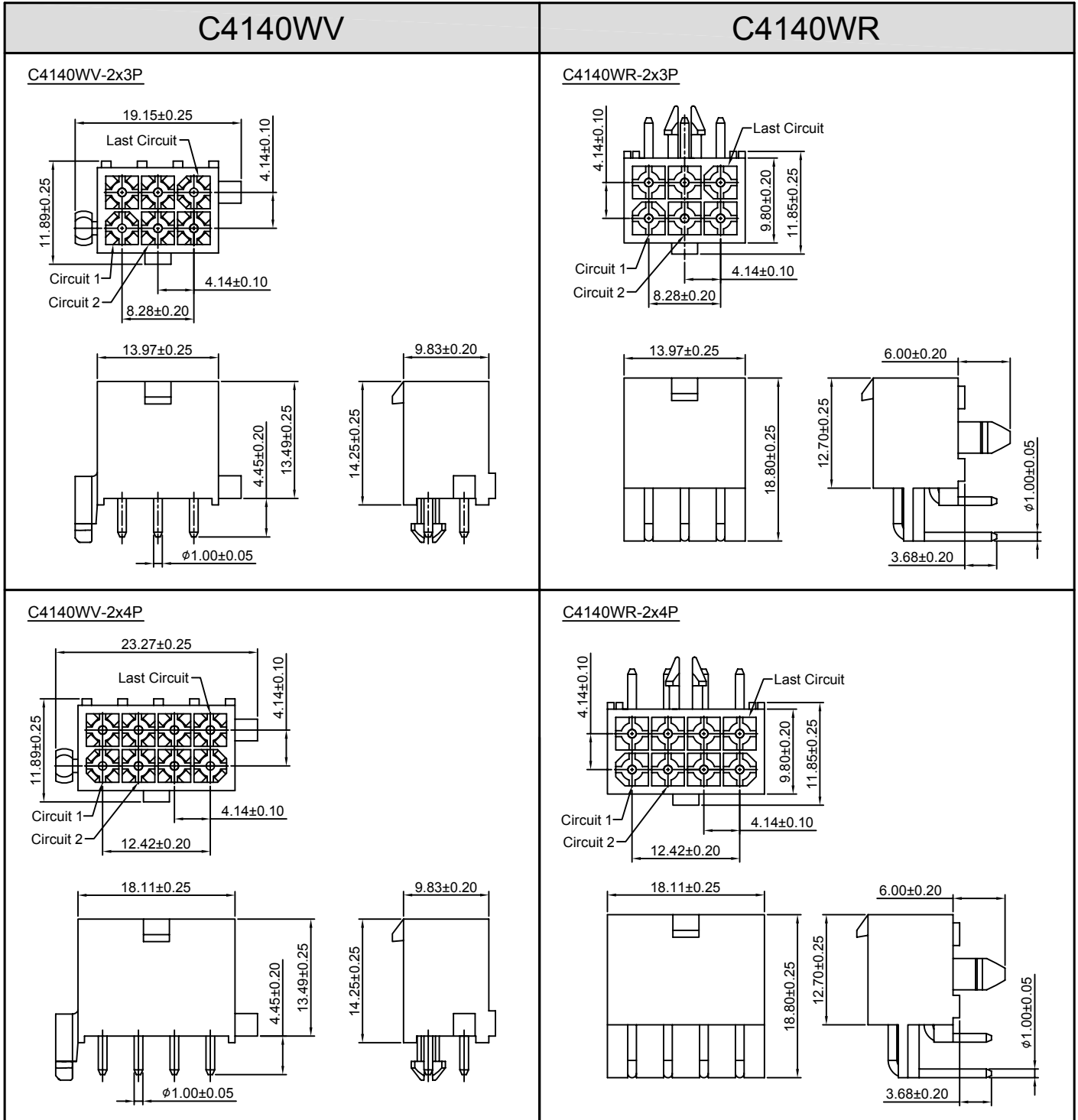
G15: 15µm (0.38µm) MIN. Select Gold (Mating Area)

100µm (2.54µm) MIN. Select Tin

G30: 30µm (0.76µm) MIN. Select Gold (Mating Area)

100µm (2.54µm) MIN. Select Tin

Unit: mm



C4140WV and WR

4.14mm Pitch Wafer

Reference Informations:

*Material: Pin: Brass/Tin over Nickel or Gold over Nickel
Insulator: Nylon 66, UL94V-0

*Mates with CJT C4140HF series Housing

*Color: White

Ordering Information:

C4140WV/WR-2xXP - *** - ***
1 2 3

1. Part No.

2. Material:

(blank): Nylon 66, UL94V-0

GWT: Nylon 66, UL94V-0, GWT 750°C

3. Finish:

(blank): Tin over Nickel

G: Gold-flash

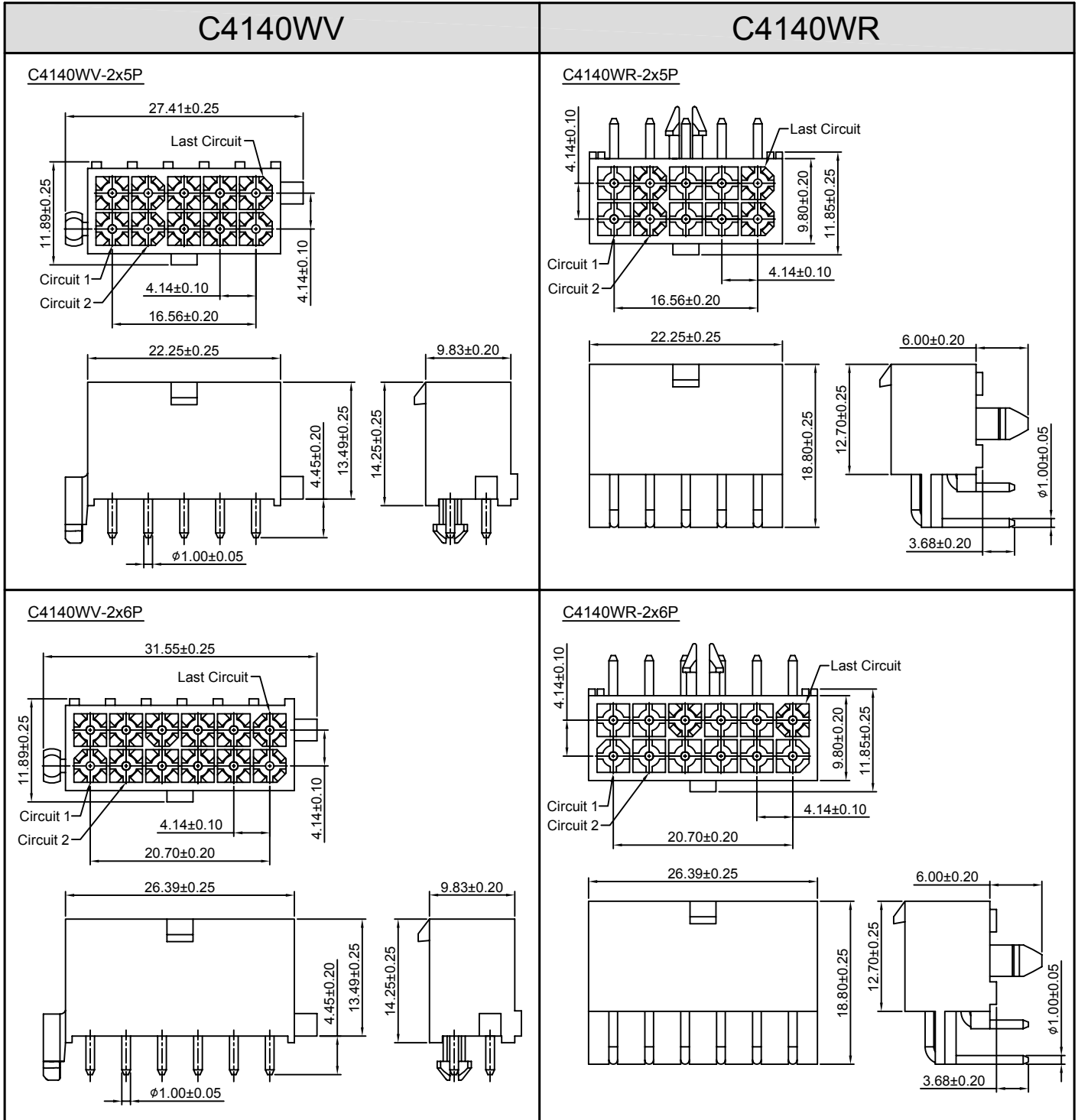
G15: 15µm (0.38µm) MIN. Select Gold (Mating Area)

100µm (2.54µm) MIN. Select Tin

G30: 30µm (0.76µm) MIN. Select Gold (Mating Area)

100µm (2.54µm) MIN. Select Tin

Unit: mm



C4140WV

4.14mm Pitch Wafer

Ordering Information:
C4140WV/WR-3xXP - *** - ***
1 2 3

- 1.Part No.
- 2.Material:
(blank):Nylon 66,UL94V-0
GWT:Nylon 66,UL94V-0,GWT 750°C
- 3.Finish:
(blank):Tin over Nickel
G:Gold-flash
G15:15µin (0.38µm) MIN.Select Gold(Mating Area)
100µin (2.54µm) MIN.Select Tin
G30:30µin (0.76µm) MIN.Select Gold(Mating Area)
100µin (2.54µm) MIN.Select Tin

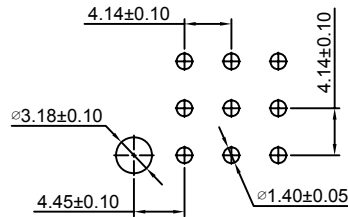
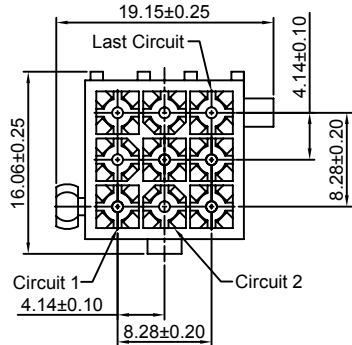
Reference Informations:

- *Material:Pin:Brass/Tin over Nickel or Gold over Nickel
Insulator:Nylon 66,UL94V-0
- *Mates with CJT C4140HF series Housing
- *Color:White

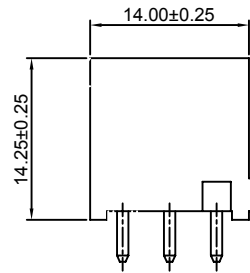
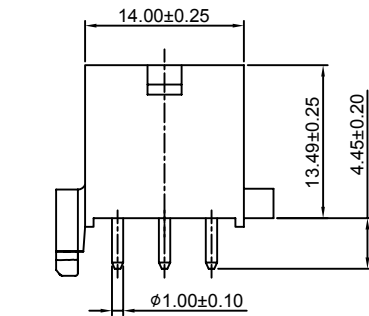
Unit: mm

C4140WV

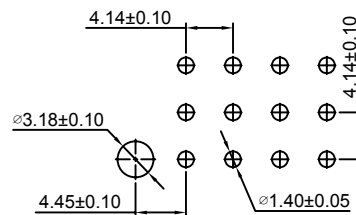
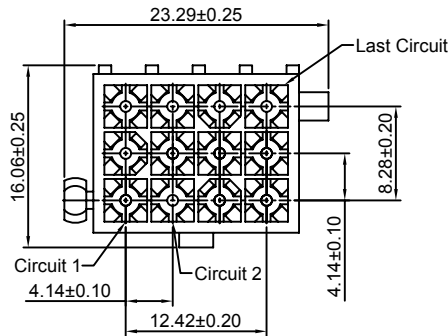
C4140WV-3x3P



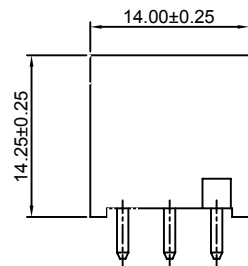
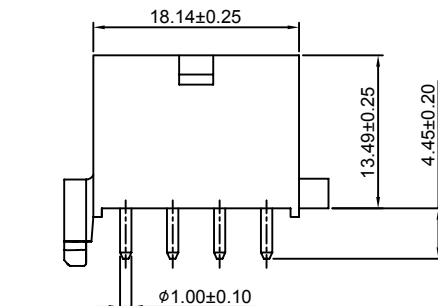
P.C.B LAYOUT



C4140WV-3x4P



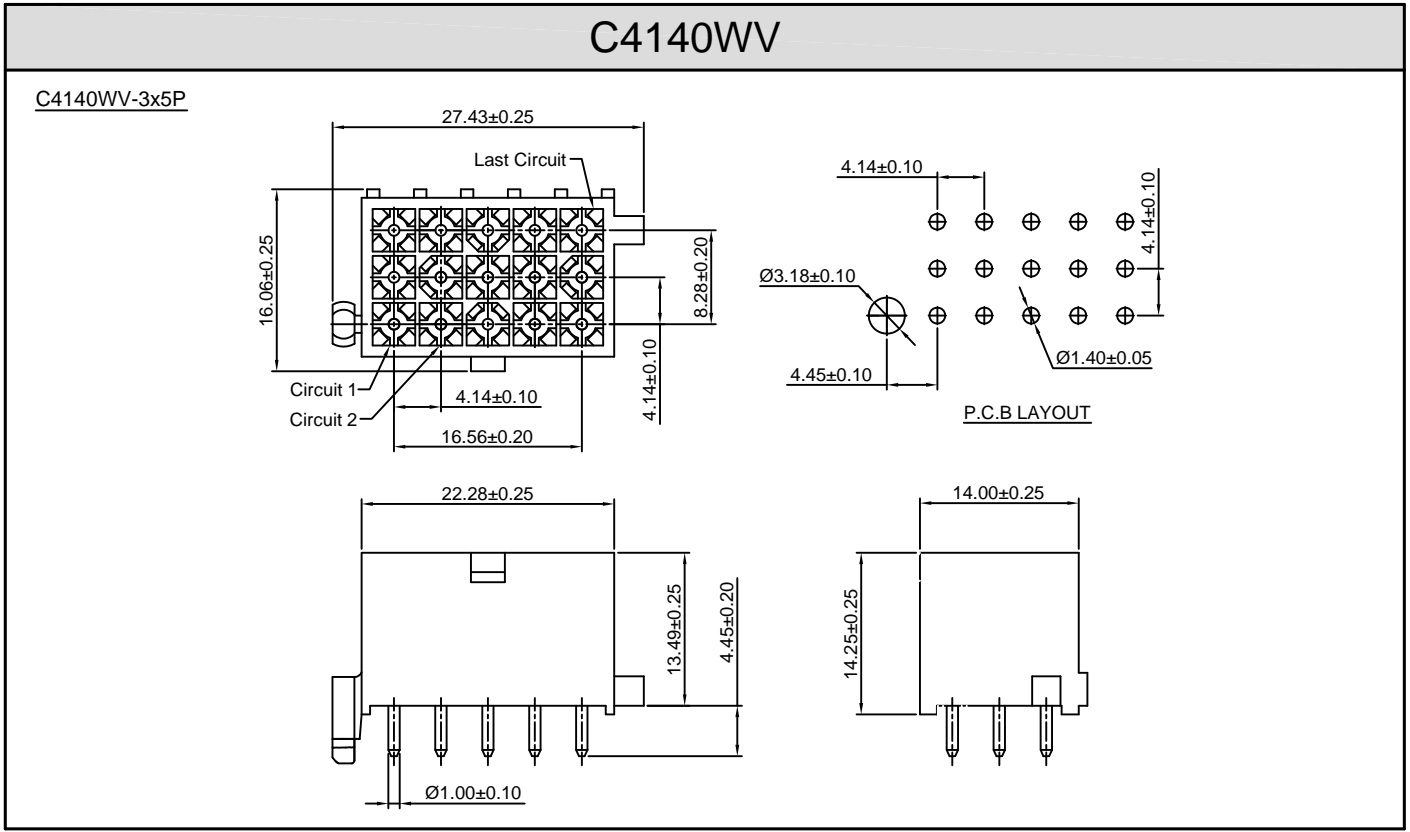
P.C.B LAYOUT



C4140WV

4.14mm Pitch Wafer

Unit: mm

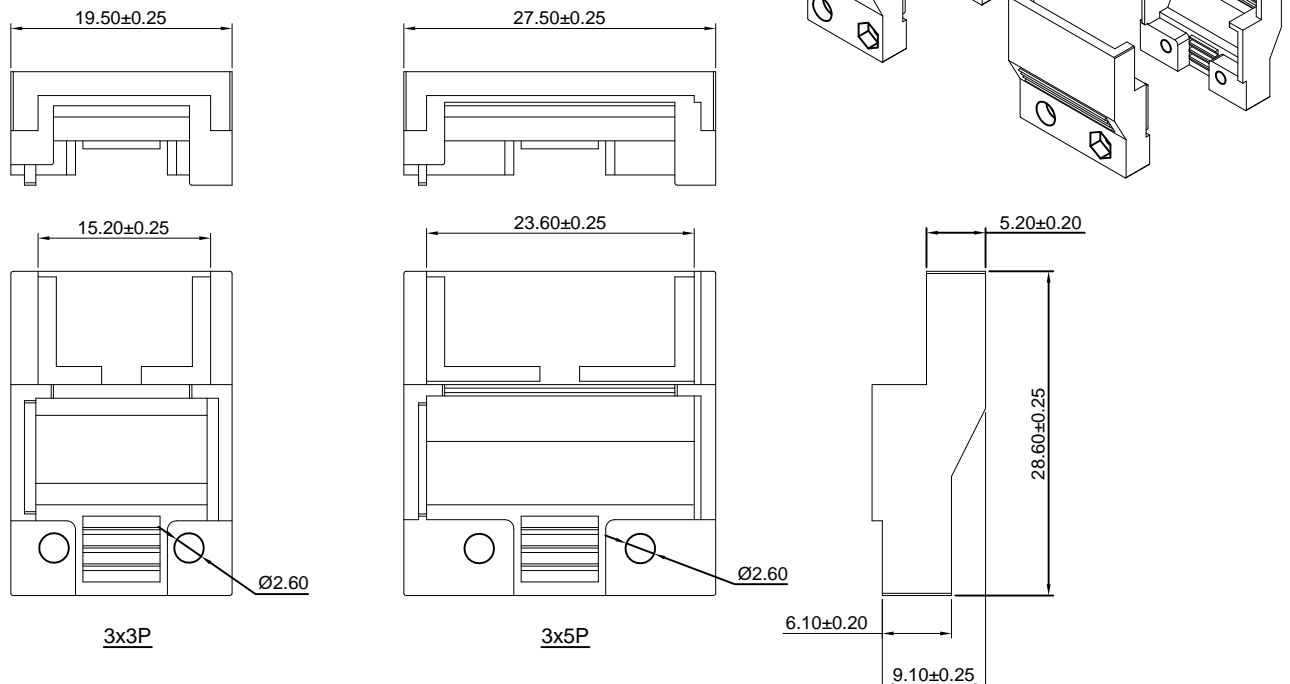


C4140HS-3xXP

4.14mm Pitch Triple Row CAP CABLE CLAMP

Reference Informations:

- *Material: Nylon 66, UL94V-0
- *Insulation Dia Range: $\varnothing 5.5$ - $\varnothing 7.0$
- *Screws: Cross-Recessed Head Machine Screws M2.6 L10
- *Nuts: Hexagon Nuts M2.6
- *Mates with CJT C4140HM-3x3P, C4140HM-3x5P series Housing
- *Color: Black

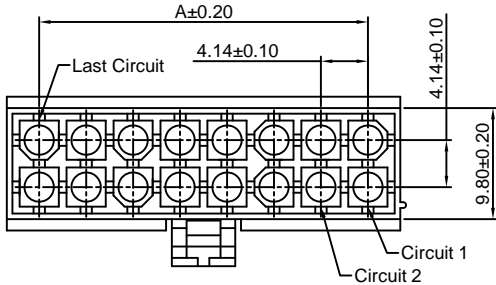


C4140HF-2xXP

4.14mm Pitch Dual Row Housing

Reference Informations:

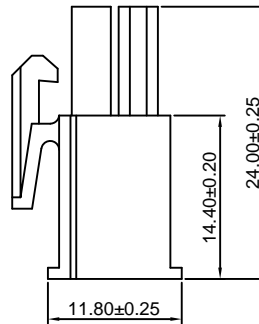
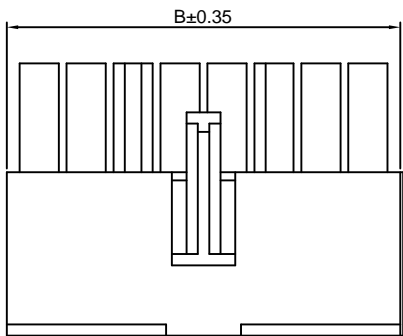
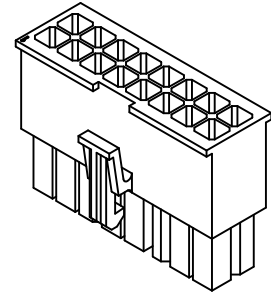
- *Material: Nylon 66, UL94V-0
- *Suitable CJT C4140F-T(-H/-L/-LL) series Terminal
- *Mates with CJT C4140HM(A)-2xXP series dual row Housing and C4140WV, WR-2xXP series dual row Wafer
- *Color: White



Ordering Information:

C4140HF-2xXP - ***
1 2

1. Part No.
2. Material:
(blank): Nylon 66, UL94V-0/White
GWT: Nylon 66, UL94V-0, GWT 750°C



Ordering Information & Dimensions:

| PART NO. | Dimensions | |
|----------|------------|-------|
| | A | B |
| 2x4P | 12.42 | 18.47 |
| 2x5P | 16.56 | 22.61 |
| 2x6P | 20.70 | 26.75 |
| 2x7P | 24.84 | 30.89 |
| 2x8P | 28.98 | 35.03 |
| 2x9P | 33.12 | 39.17 |
| 2x10P | 37.26 | 43.31 |
| 2x11P | 41.40 | 47.45 |
| 2x12P | 45.54 | 51.59 |

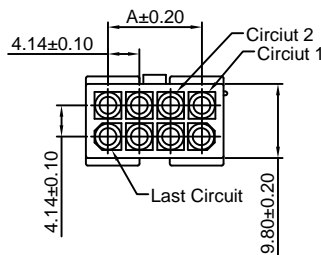
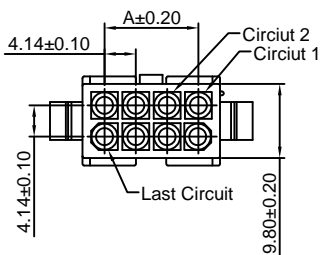
Unit: mm

C4140HM(A)-2xXP

4.14mm Pitch Dual Row Housing

Reference Informations:

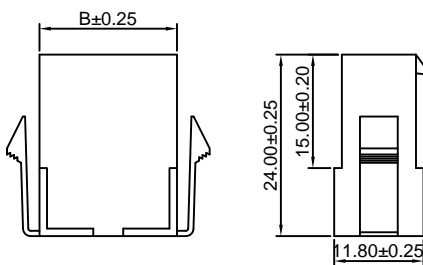
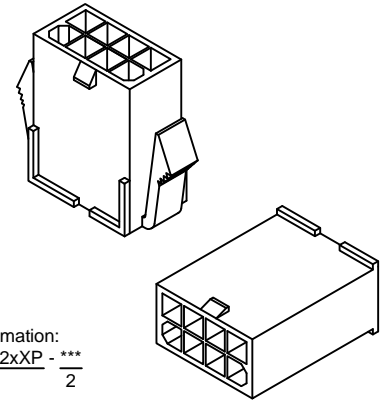
- *Material: Nylon 66, UL94V-0
- *Suitable CJT C4140M-T(-H/-L/-LL) series Terminal
- *Mates with CJT C4140HF-2xXP series dual row Housing
- *Color: Natural



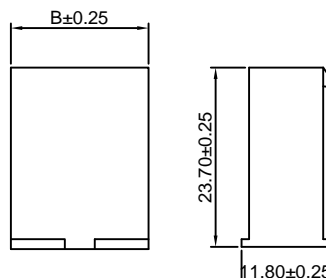
Ordering Information:

C4140HM(A)-2xXP - ***
1 2

1. Part No.
2. Material:
(blank): Nylon 66, UL94V-0/White
GWT: Nylon 66, UL94V-0, GWT 750°C



C4140HM



C4140HMA

Ordering Information & Dimensions:

| PART NO. | Dimensions | |
|----------|------------|-------|
| | A | B |
| 2x4P | 12.42 | 18.20 |
| 2x5P | 16.56 | 22.40 |
| 2x6P | 20.70 | 26.60 |
| 2x7P | 24.84 | 30.80 |
| 2x8P | 28.98 | 35.00 |
| 2x9P | 33.12 | 39.20 |
| 2x10P | 37.26 | 43.40 |
| 2x11P | 41.40 | 47.60 |
| 2x12P | 45.54 | 51.80 |

Unit: mm

C4140WV-2xXP

4.20mm pitch 180° Dual Row Wafer

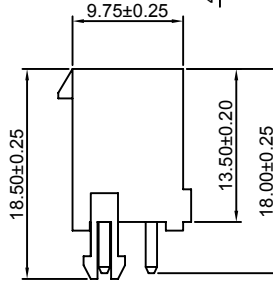
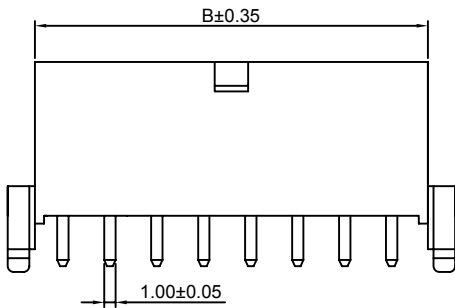
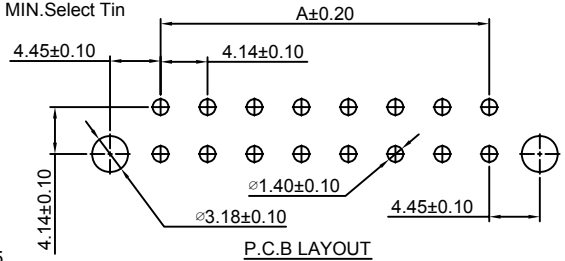
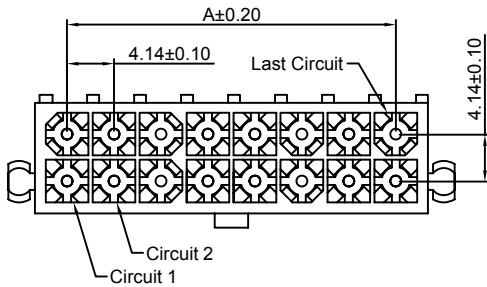
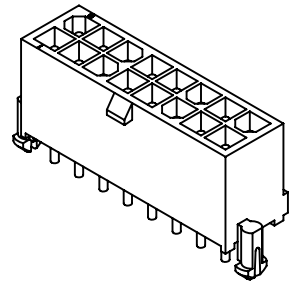
Reference Informations:

- *Material:Pin:Brass/Tin over Nickel
Insulator:Nylon 66,UL94V-0
- *Mates with CJT C4140HF-2xXP series dual row Housing
- *Color:White

Ordering Information:

C4140WV-2xXP - *** - ***
1 2 3

- Part No.
- Material:
(blank):Nylon 66,UL94V-0
GWT:Nylon 66,UL94V-0,GWT 750°C
- Finish:
(blank):Tin over Nickel
G:Gold-flash
G15:15µm (0.38µm) MIN.Select Gold(Mating Area)
100µm (2.54µm) MIN.Select Tin
G30:30µm (0.76µm) MIN.Select Gold(Mating Area)
100µm (2.54µm) MIN.Select Tin



Ordering Information & Dimensions:

| PART NO. | Dimensions | |
|----------|------------|-------|
| | A | B |
| 2x7P | 24.84 | 30.56 |
| 2x8P | 28.98 | 34.70 |
| 2x9P | 33.12 | 38.84 |
| 2x10P | 37.26 | 42.98 |
| 2x11P | 41.40 | 47.12 |
| 2x12P | 45.54 | 51.26 |

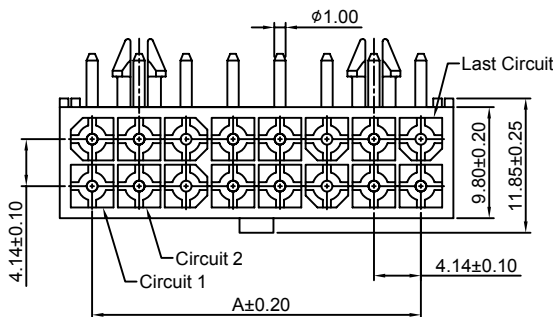
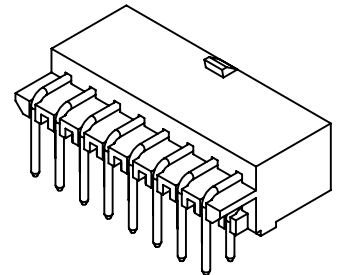
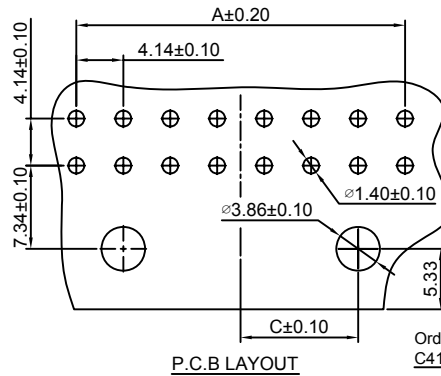
Unit: mm

C4140WR-2xXP

4.14mm pitch 90° Dual Row Wafer

Reference Informations:

- *Material:Pin:Brass/Tin over Nickel
Insulator:Nylon 66,UL94V-0
- *Mates with CJT C4140HF-2xXP series dual row Housing
- *Color:White



Ordering Information:
C4140WR-2xXP - *** - ***
1 2 3

- Part No.
- Material:
(blank):Nylon 66,UL94V-0
GWT:Nylon 66,UL94V-0,GWT 750°C
- Finish:
(blank):Tin over Nickel
G:Gold-flash
G15:15µm (0.38µm) MIN.Select Gold(Mating Area)
100µm (2.54µm) MIN.Select Tin
G30:30µm (0.76µm) MIN.Select Gold(Mating Area)
100µm (2.54µm) MIN.Select Tin

Ordering Information & Dimensions:

| PART NO. | Dimensions | | |
|----------|------------|-------|-------|
| | A | B | C |
| 2x7P | 24.84 | 30.56 | 8.28 |
| 2x8P | 28.98 | 34.70 | 10.35 |
| 2x9P | 33.12 | 38.84 | 10.35 |
| 2x10P | 37.26 | 42.98 | 10.35 |
| 2x11P | 41.40 | 47.12 | 10.35 |
| 2x12P | 45.54 | 51.26 | 10.35 |

Unit: mm

