



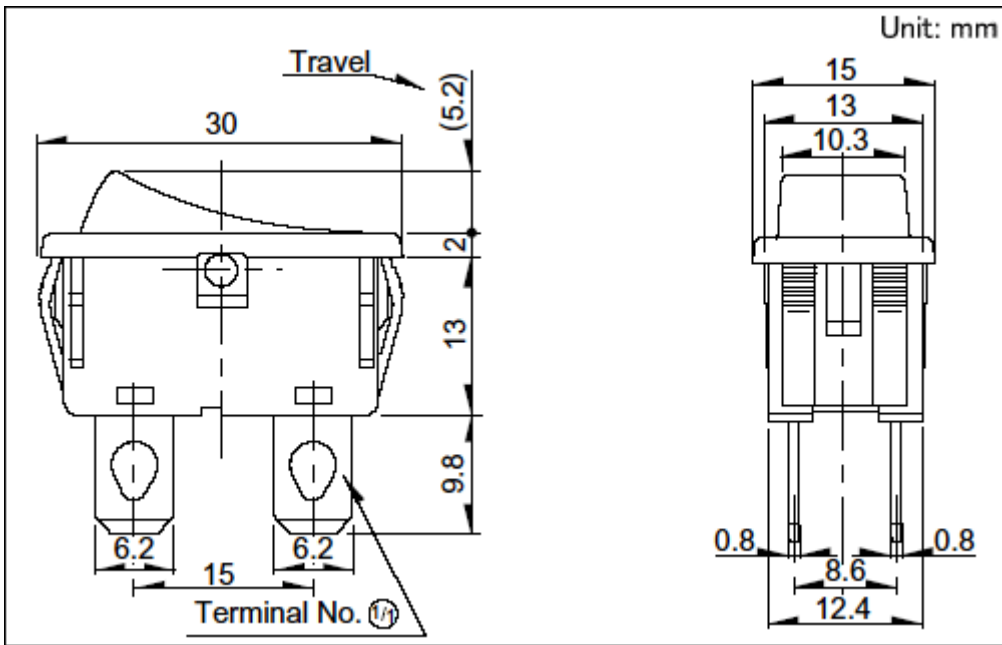
16A 250V AC Qualified Type SDDJF Series

Type	Rocker		
Circuit arrangement	DPST		
Travel	5.2mm		
Operating force	6±3N		
Mounting method	Snap-in		
Terminal type	For Lead		
Marking (knob)	●mark		
C-UL-US	16AGP 250V AC		
SEMKO	16(6)/250~		
VDE	16(6)/250~		
BS	16(6)/250~		
Ratings satisfying local electrical appliance and material safety law	125V 16A‡		
Operating temperature range	-10°C to +55°C		
Rating	16A _g p 250V AC, 16(6) 250~		
Electrical performance	Contact resistance	100mΩ max.	
	Insulation resistance	500MΩ min. 500V DC	
	Voltage proof	2,000V AC for 1 minute	
Mechanical performance	Terminal strength	60N for 1 minute (lead terminal) 10N for 1 minute (right-angle terminal)	
	Actuator strength	Operating direction	25N
		Perpendicular direction	25N
Durability	Operating life	10,000 cycles 16A 250V AC	
Environmental performance	Cold	-20°C 96h	
	Dry heat	85°C 96h	
	Damp heat	40°C, 90 to 95%RH 96h	
Minimum order unit (pcs.)	Japan	150	

About Cookies on this site:

This site uses cookies to improve your online experience. By continuing to use this site without changing your cookie preferences, we will assume that you are agreeing to our use of cookies. For more information, visit our [Terms of Use](#).

Accept

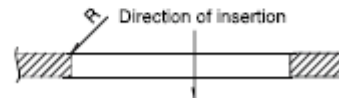
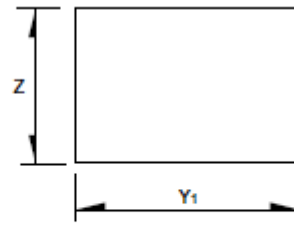


Mounting Hole Reference Size

Square-shaped Hole

Unit:mm

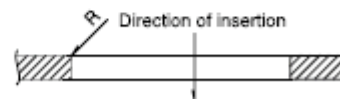
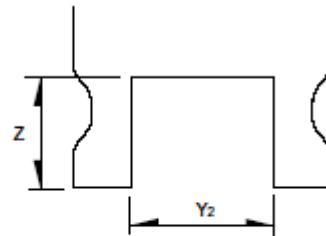
Thickness of mounting board	Y ₁	Z
0.75 to 1.25	28.2 ⁰ _{-0.1}	12.9 ^{+0.1} ₀
1.25 to 2.00	28.4 ⁰ _{-0.1}	



U-shaped Hole

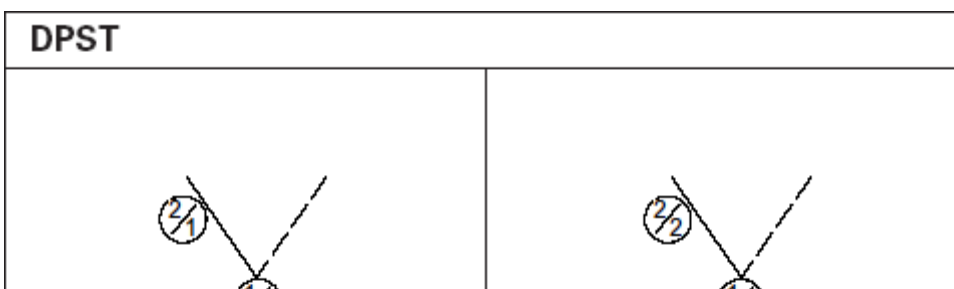
Unit:mm

Thickness of mounting board	Y ₂	Z
0.75 to 1.1	28.4 ⁰ _{-0.1}	12.9 ^{+0.1} ₀
1.1 to 1.7	28.6 ⁰ _{-0.1}	
1.7 to 2	28.8 ⁰ _{-0.1}	



Verify the performance under actual product conditions before use.

Circuit Diagram

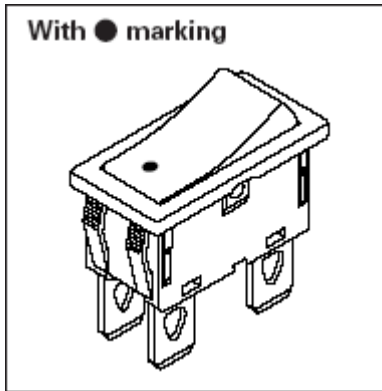


About Cookies on this site :

This site uses cookies to improve your online experience. By continuing to use this site without changing your cookie preferences, we will assume that you are agreeing to our use of cookies. For more information, visit our [Terms of Use](#).

Accept

Marking (knob)



Packing Specifications

Tray

Number of packages (pcs.)	1 case / Japan	150
	1 case / export packing	1,500

Export package measurements (mm)	379 × 283 × 508
----------------------------------	-----------------

Soldering Conditions

Reference for Hand Soldering

Soldering temperature	350 ± 10°C
Soldering time	3 + 1/0s

Notes are common to this series/models.

1. This site catalog shows only outline specifications. When using the products, please obtain formal specifications for supply.
2. The lead terminals are also used as tab terminals (#250). (Use a positive lock connector type.)
3. Please place purchase orders per minimum order unit (integer).

About Cookies on this site:

This site uses cookies to improve your online experience. By continuing to use this site without changing your cookie preferences, we will assume that you are agreeing to our use of cookies. For more information, visit our [Terms of Use](#).

Accept