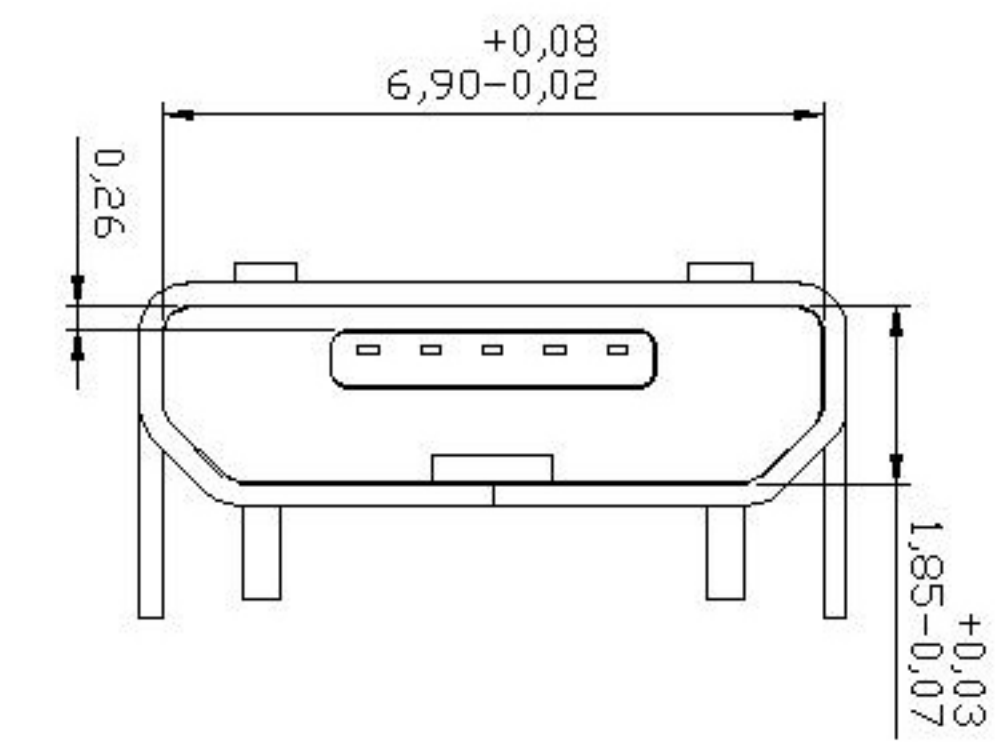
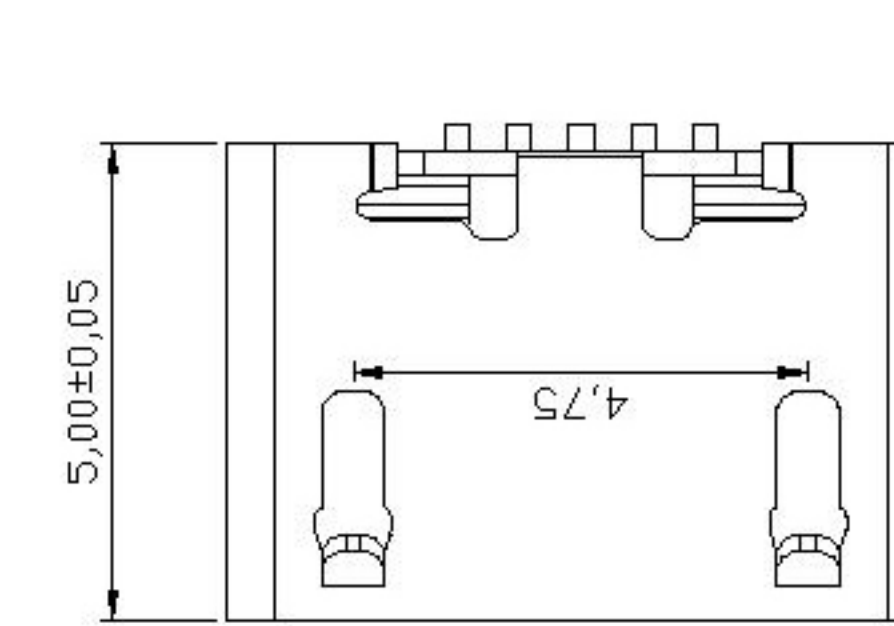
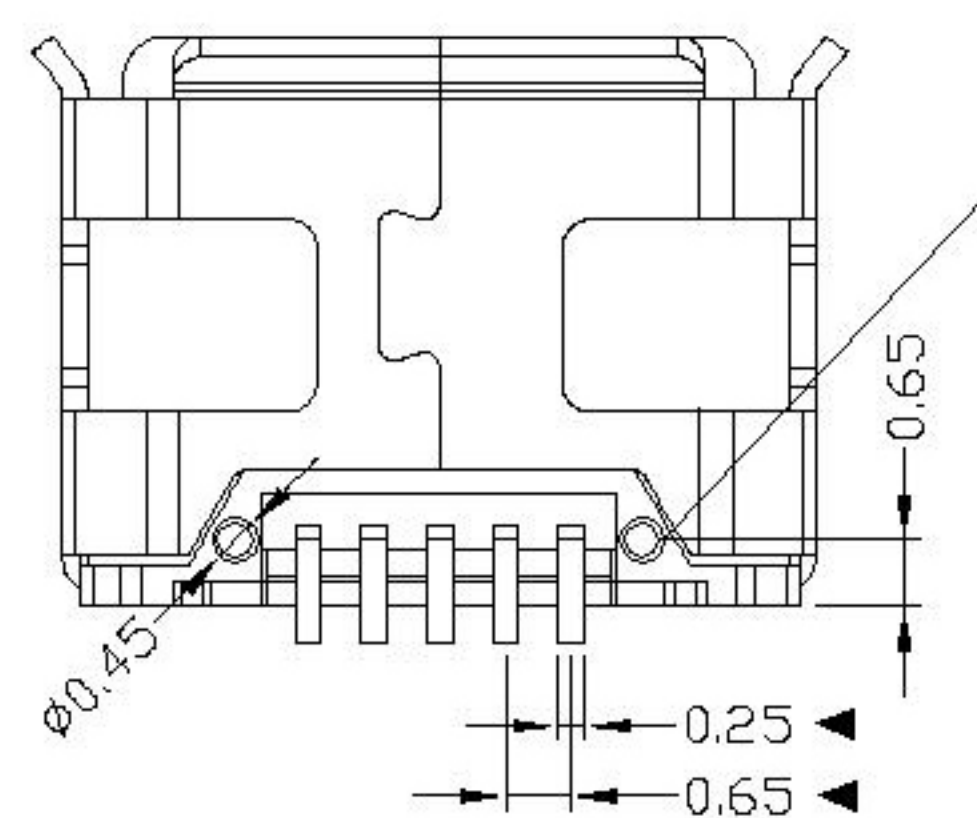
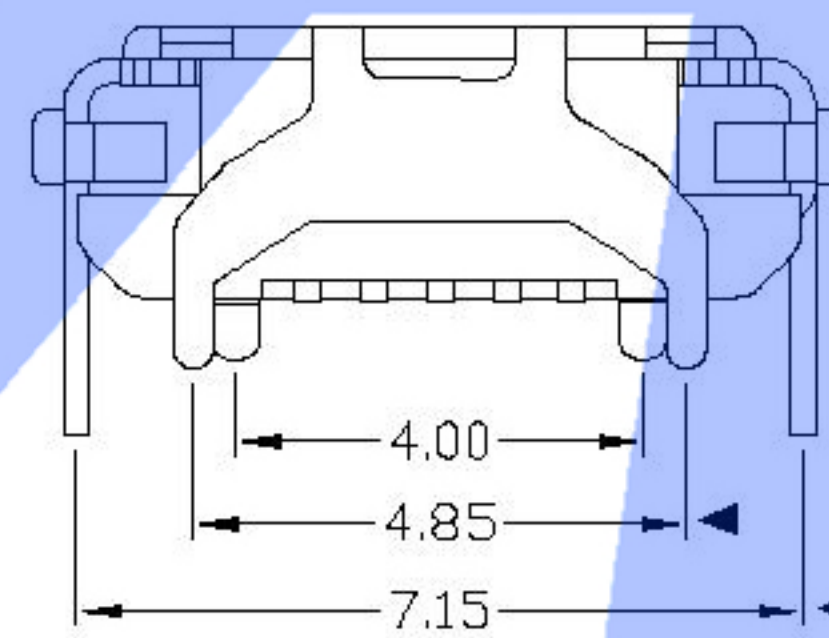
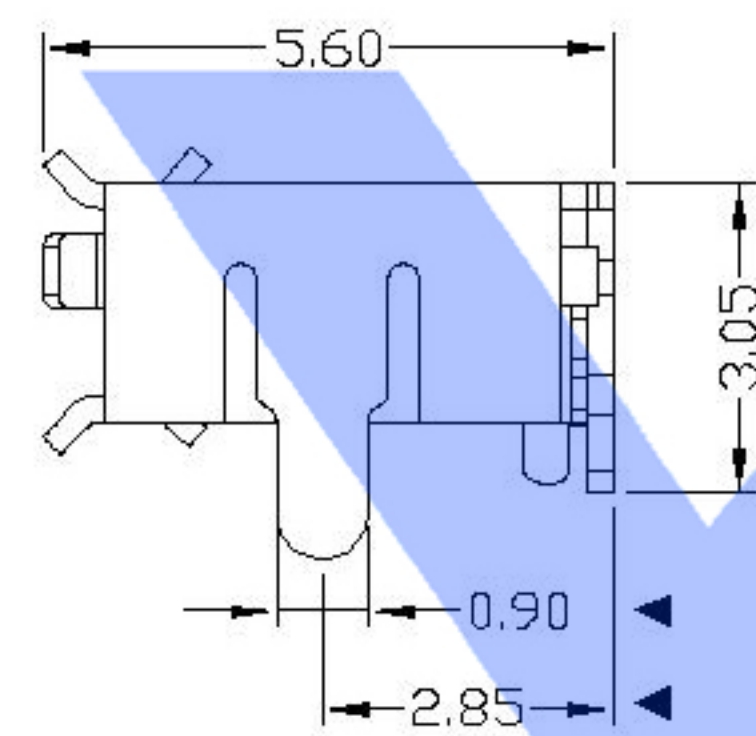
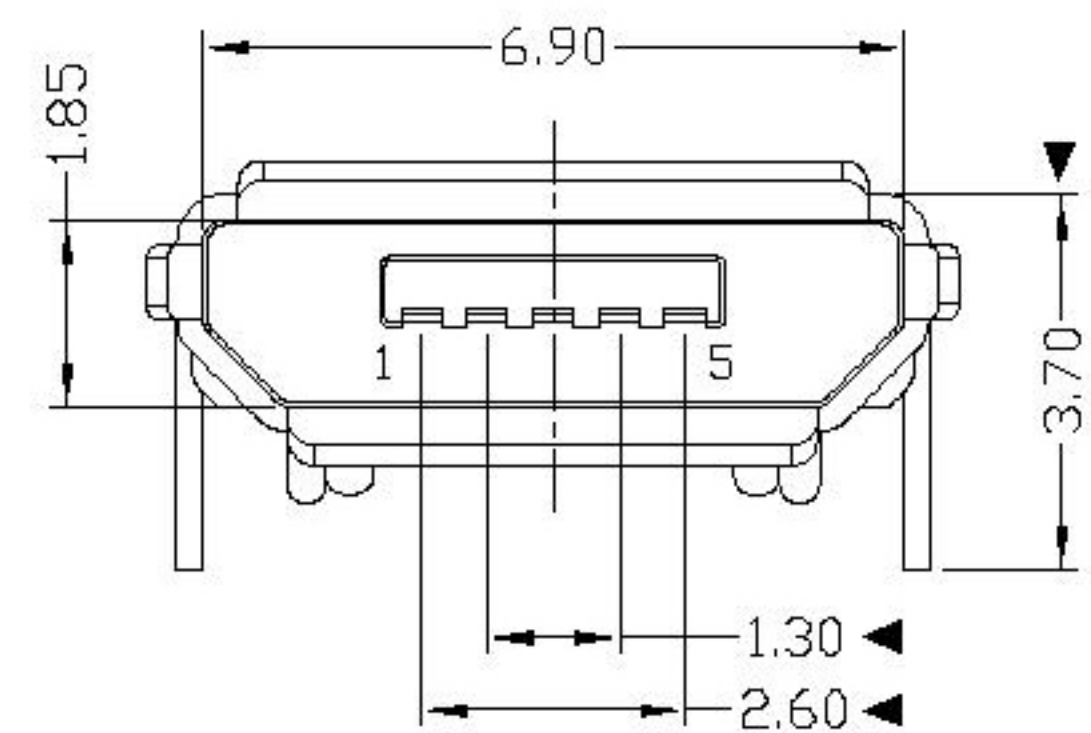


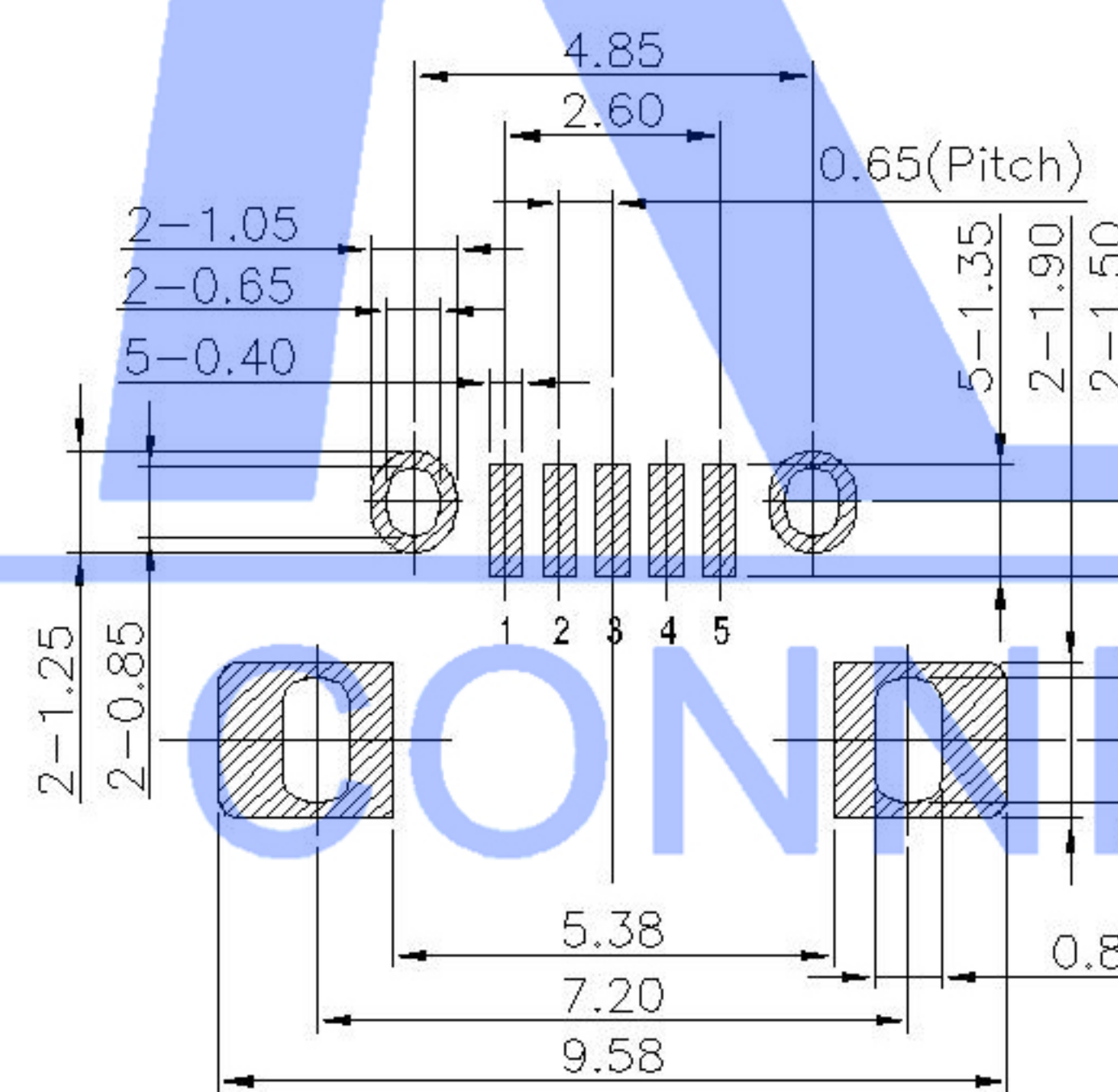
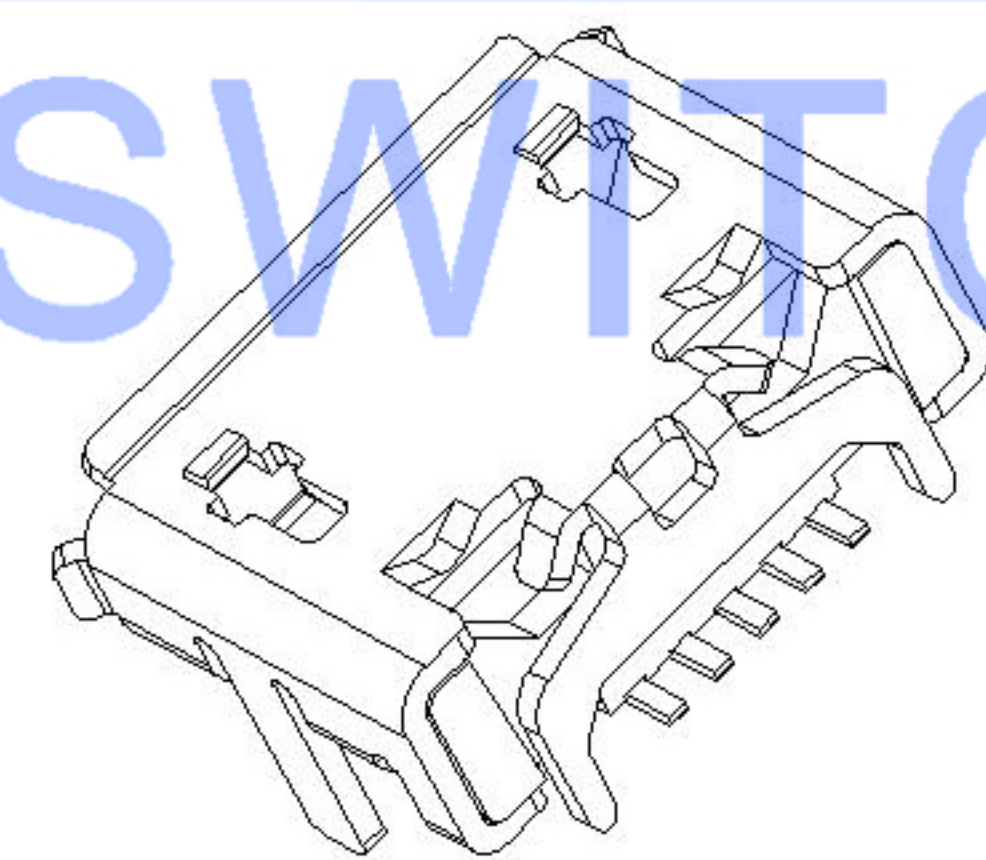
Scrolls (S)



Flat (F)



1:With 2:Without



RECOMMENDED PCB LAYOUT TOP VIEW
GENERAL DIMENSIONS (mm)

NOTES:

- MATERIAL&FINISH:SEE TABLE A;
- SPECIALITY:
 - RATED CURRENT:1.8A For Pin1.5
0.5A For Pin 2.3.4
 - RATED VOLTAGE:30V
 - CONTACT RESISTANCE:30mΩ Max
 - INSULATION RESISTANCE:1000MΩ Min 500V DC
 - DIELECTRIC WITHSTANDING VOLTAGE:100V AC 1Min.
 - SOLDER ABILITY:255±5℃, 5±0.5S.
 - DURABILITY:5000 CYCLES Min.
 - OPERATING CONDITION:TEMPERATURE-40℃~+85℃;
HUMIDITY 80% R.H Max
- MECHANICAL:
 - INSERTION FORCE:35N Max
 - EXTRACTION FORCE:8N Min
- PLEASE CONTACT JITS SALES REPRESENTATIVE TO VERIFY PRODUCT DETAILS & AVAILABILITY

U254-05XX-4BH23 -X-X-X

- 1: Au 1U"
- 6: Au 30U"
- T: TIN
- N: NICKEL
- B: Brass S: Sus
- 1: With 2: Without
- S: Scrolls F: Flat
- B: BLACK W: WHITE
- 1: PBT
- 2: PA6T
- 3: PA9T
- 4: LCP

MARK	DESCRIPTION	DATE	REVISED	APPROVED	UNSPECIFIED TOLERANCES	DSND	DATE	SCALE: N/A	MODEL TYPE: MICRO USB		
ΔX					ANGLAR ±5°	DWN	DATE	VIEW:	PART NO.: U254-05XX-4BH23		
ΔX					L ≤ 4 ±0.2	CHKD	DATE	UNIT: mm	DWG NO.: U254-05XX-4BH23-XXX		
ΔX					4 < L ≤ 16 ±0.3	APPD	DATE	SIZE: A4			
ΔX					16 < L ≤ 63 ±0.4						
MARK					L > 63 ±0.5						
REVISIONS						XKB INDUSTRIAL PRECISION CO., LIMITED			WEIGHT 1.0g	SHEET 1/1	REVISION A0
www.xk-dg.cn www.1k0k.com www.1k0k.cn											