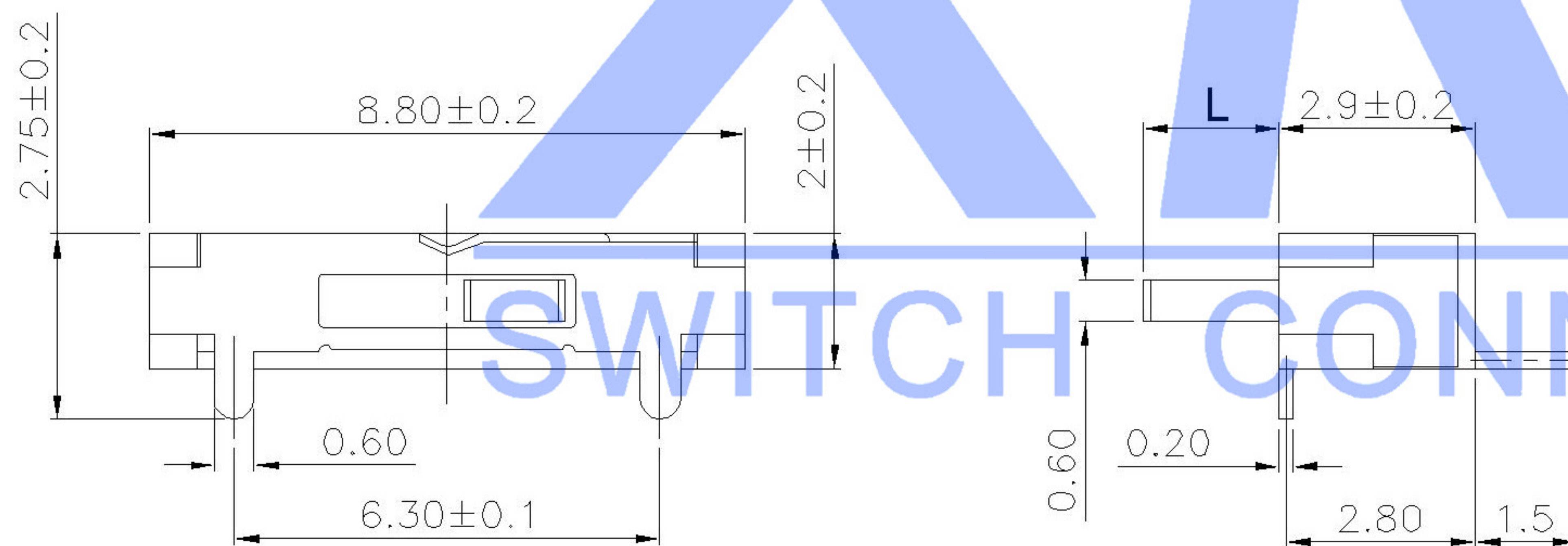


Circuit Diagram

**NOTE:**  
 Rating: DC 12V 50mA  
 Operating Force: 200±100gf  
 Lifetime: 10,000 Cycles

PCB Layout (Pattern side)



PAPT NO	L
SK-3270SA-L1	2.0
SK-3270SA-L2	3.0
SK-3270SA-L3	4.0

ITEM	PAPT NAME	TER.NO	QTY	MATERIAL	FINISHING	REMARK
⑤	Terminal	—	3	Brass (0.30t)	ag Plated	—
④	Contact spring	—	1	Phosphor bronze	ag Plated	—
③	Base	—	1	Lcp	Black	—
②	Cover	—	1	Sus	Natural	—
①	Keystake	—	1	Pa46	Black	—

MARK	DESCRIPTION	DATE	REVISED	APPROVED
ΔX				
ΔX				
ΔX				

DSND	DATE	SCALE: N/A	MODEL TYPE:
DWN	DATE	VIEW:	SLIDE SWITCH
CHKD	DATE	UNIT: mm	PART NO.:
APPD	DATE	SIZE: A4	DWG NO.: SK-3270SA-X
XKB INDUSTRIAL PRECISION CO., LIMITED			WEIGHT: 1.0g
			SHEET: 1/1
			REVISION: A0