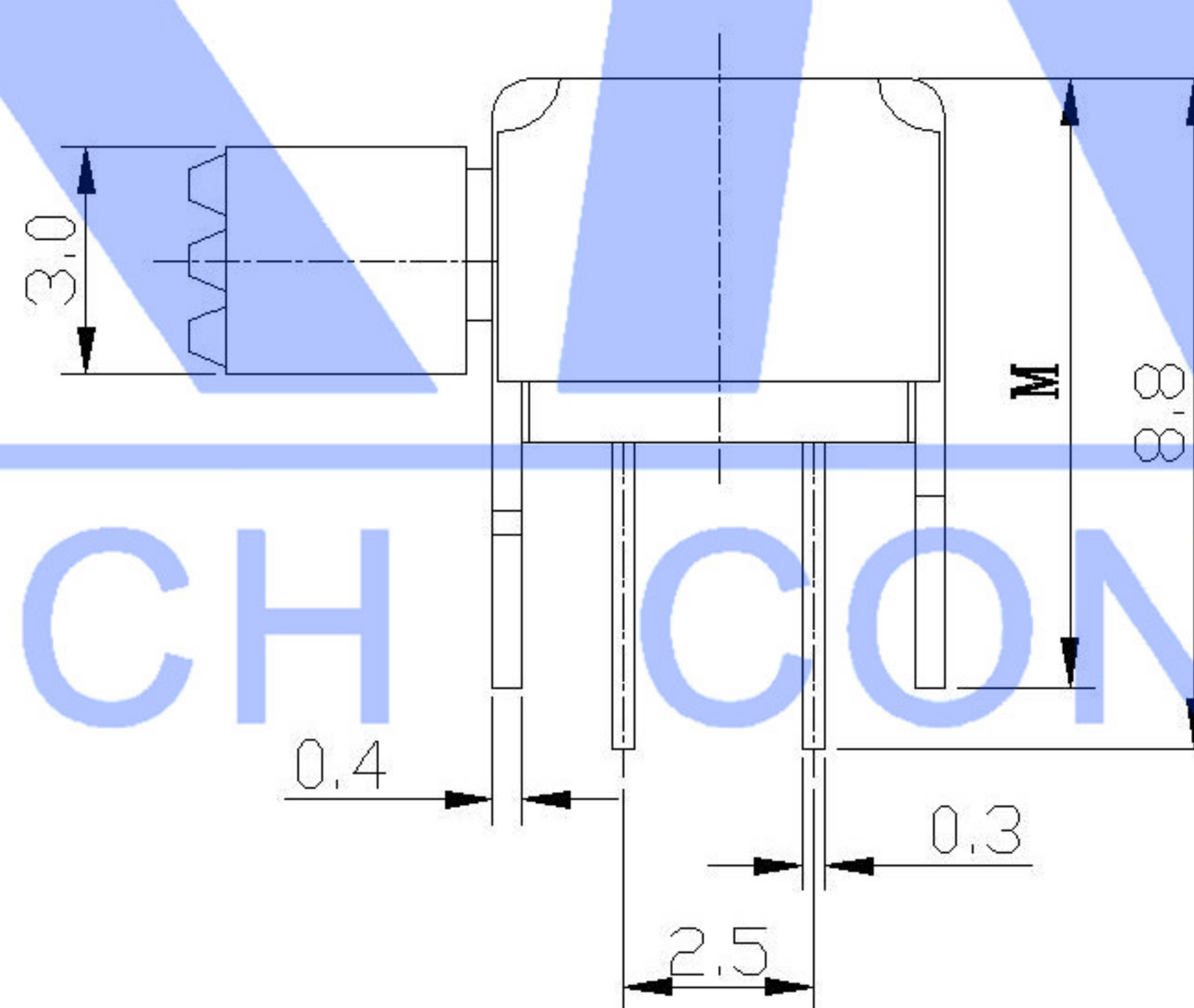
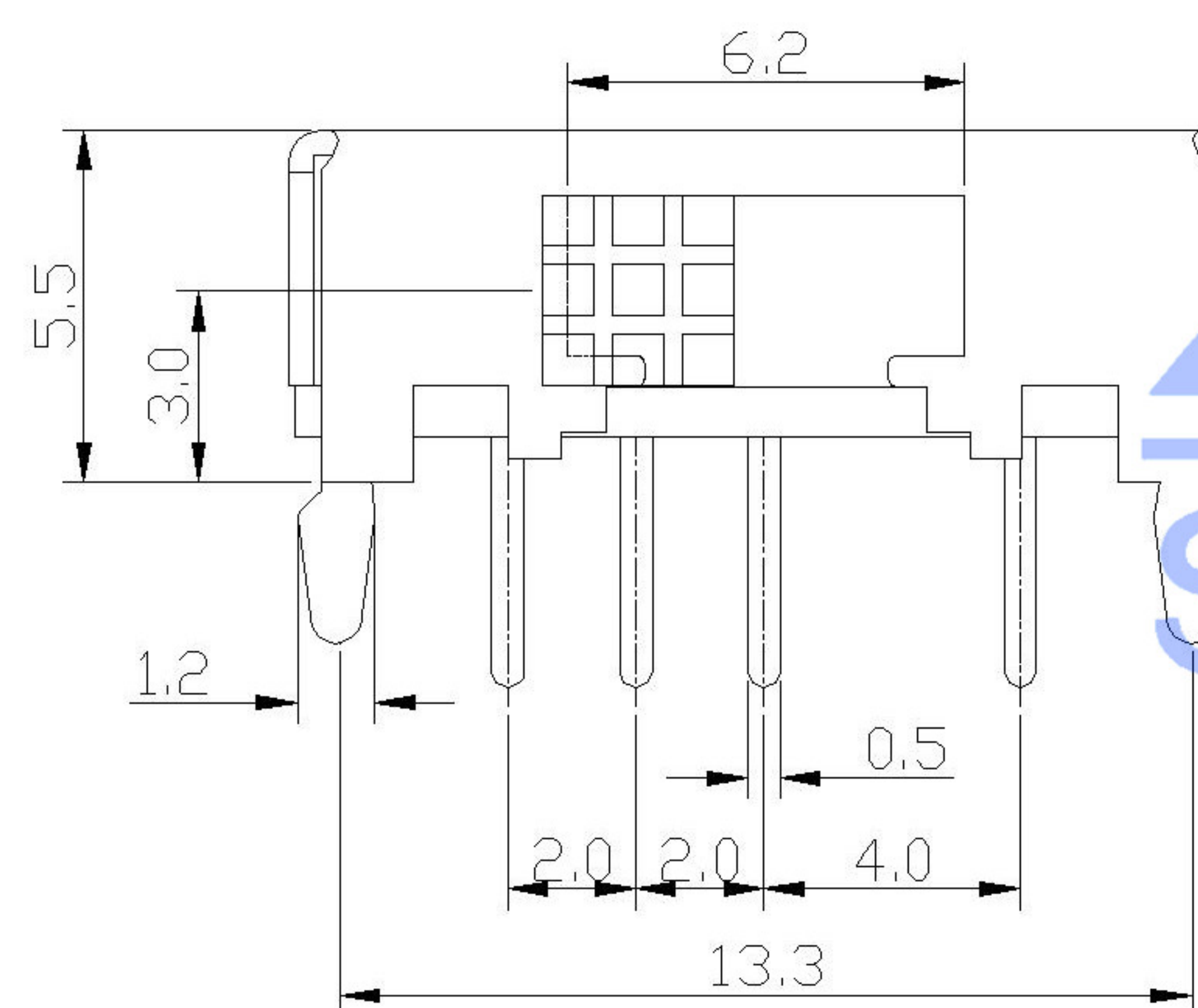


MODEL CODE

SK-23D06-X

L (mm)
2 ~ 10



RATING	0.3A 50V DC
CIRCUIT	2P3T
CONTACT RESISTANCE	100mΩ MAX.
TRAVEL	2mm
OPERATING FORCE	250±100gf
OPERATING LIFE(cycles)	10,000

REVISIONS					UNSPECIFIED TOLERANCES			XKB INDUSTRIAL PRECISION CO., LIMITED			WEIGHT	SHEET	REVISION
ΔX					ANGLAR	±5°	DSND		DATE	SCALE: N/A	MODEL TYPE: SLIDE SWITCH		
ΔX					L ≤ 4	±0.2	DWN		DATE	VIEW:	PART NO.: SK-23D06		
ΔX					4 < L ≤ 16	±0.3	CHKD		DATE	UNIT: mm	DWG NO.: SK-23D06-X		
MARK	DESCRIPTION	DATE	REVISED	APPROVED	16 < L ≤ 63	±0.4	APPD		DATE	SIZE: A4			
					L > 63	±0.5					1.0g	1/1	A0