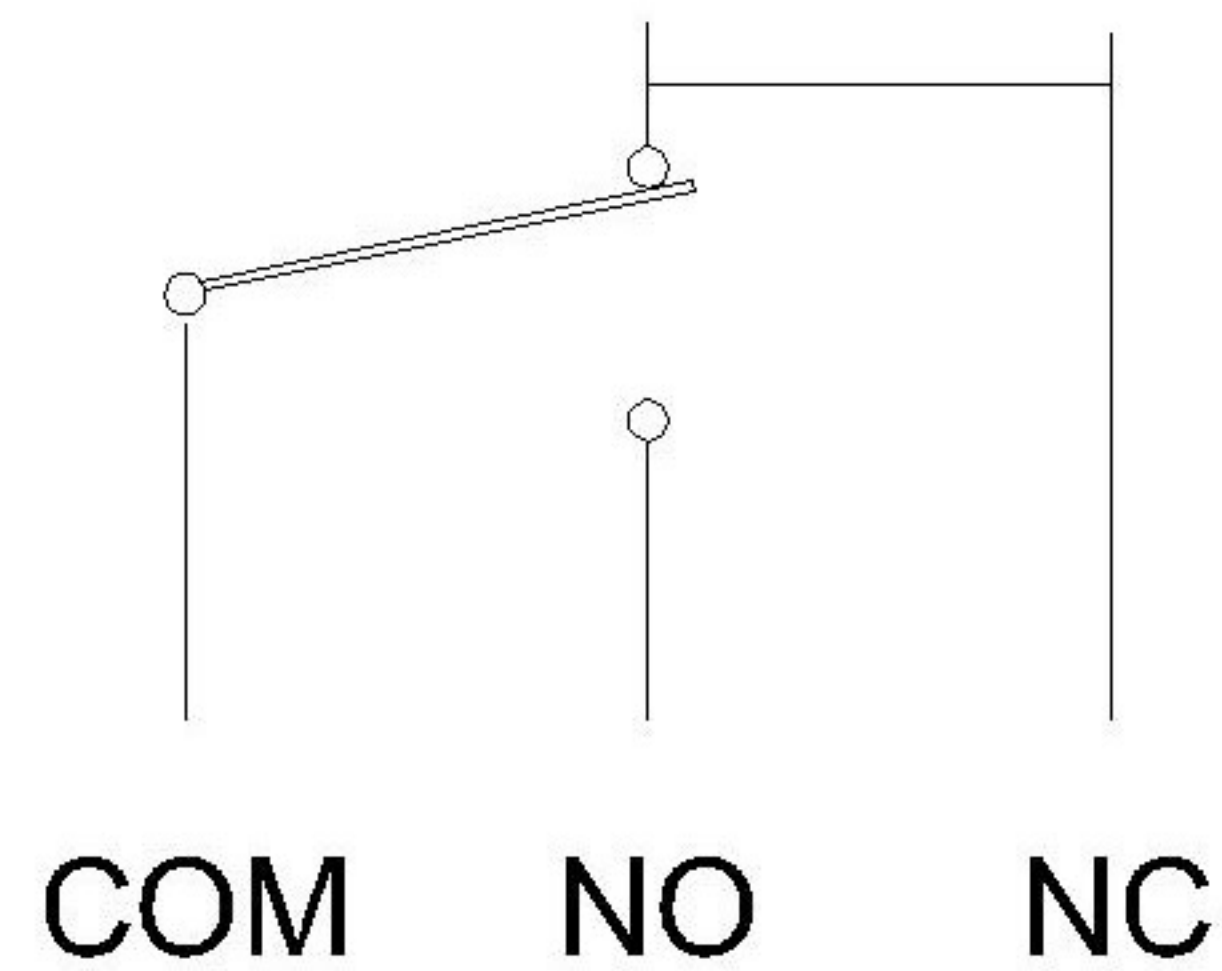
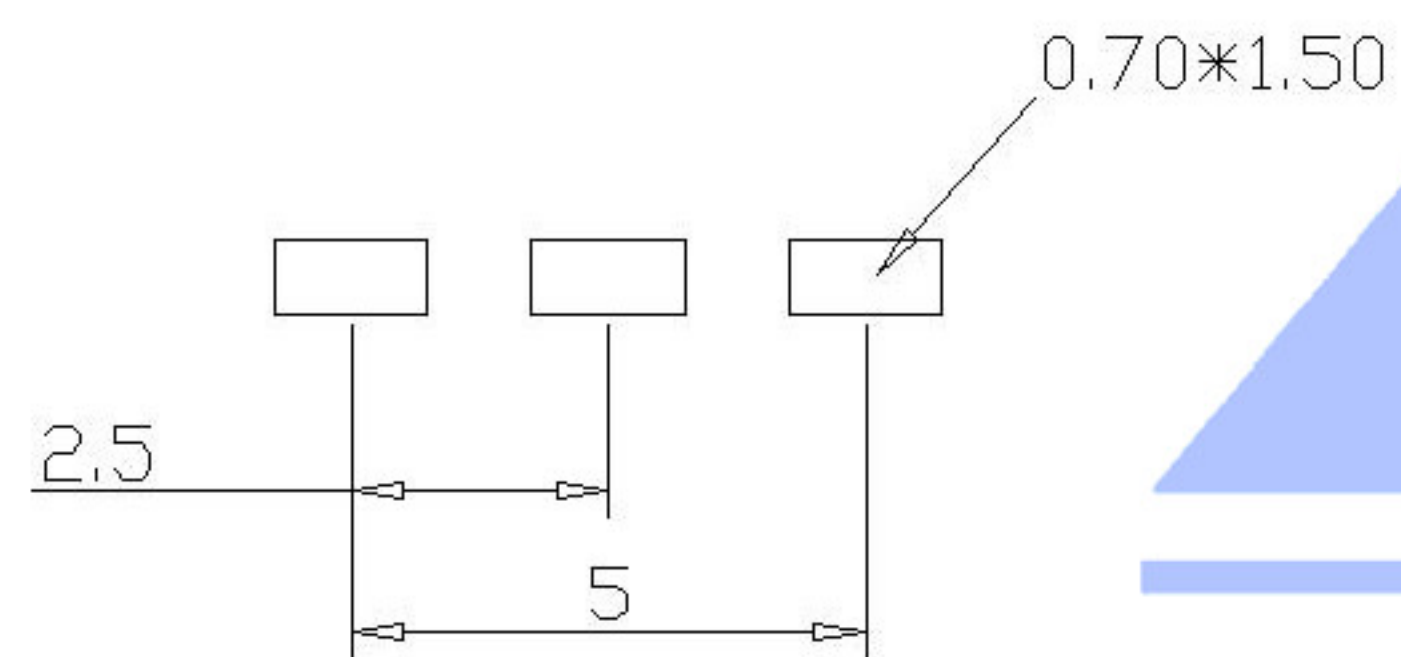
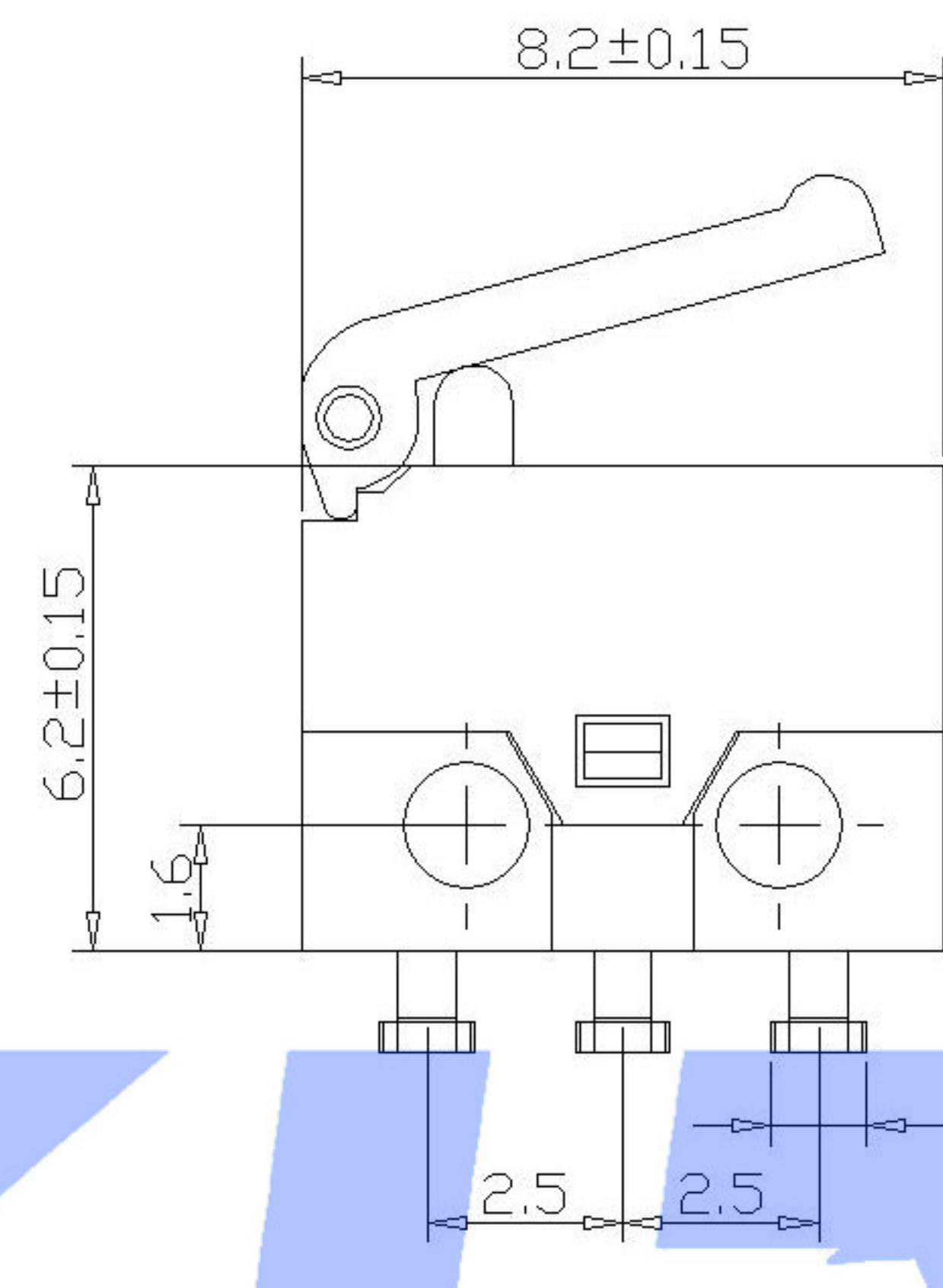


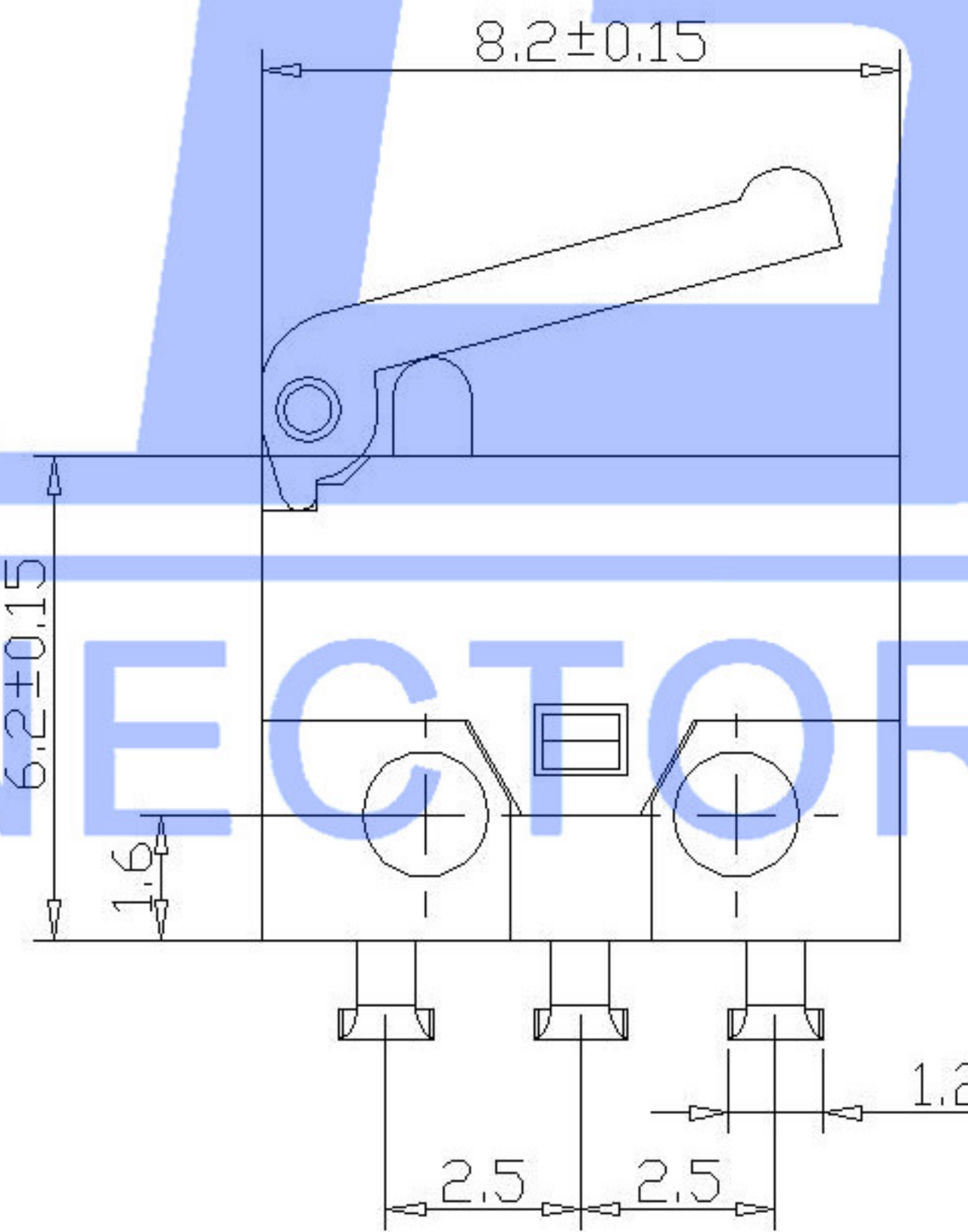
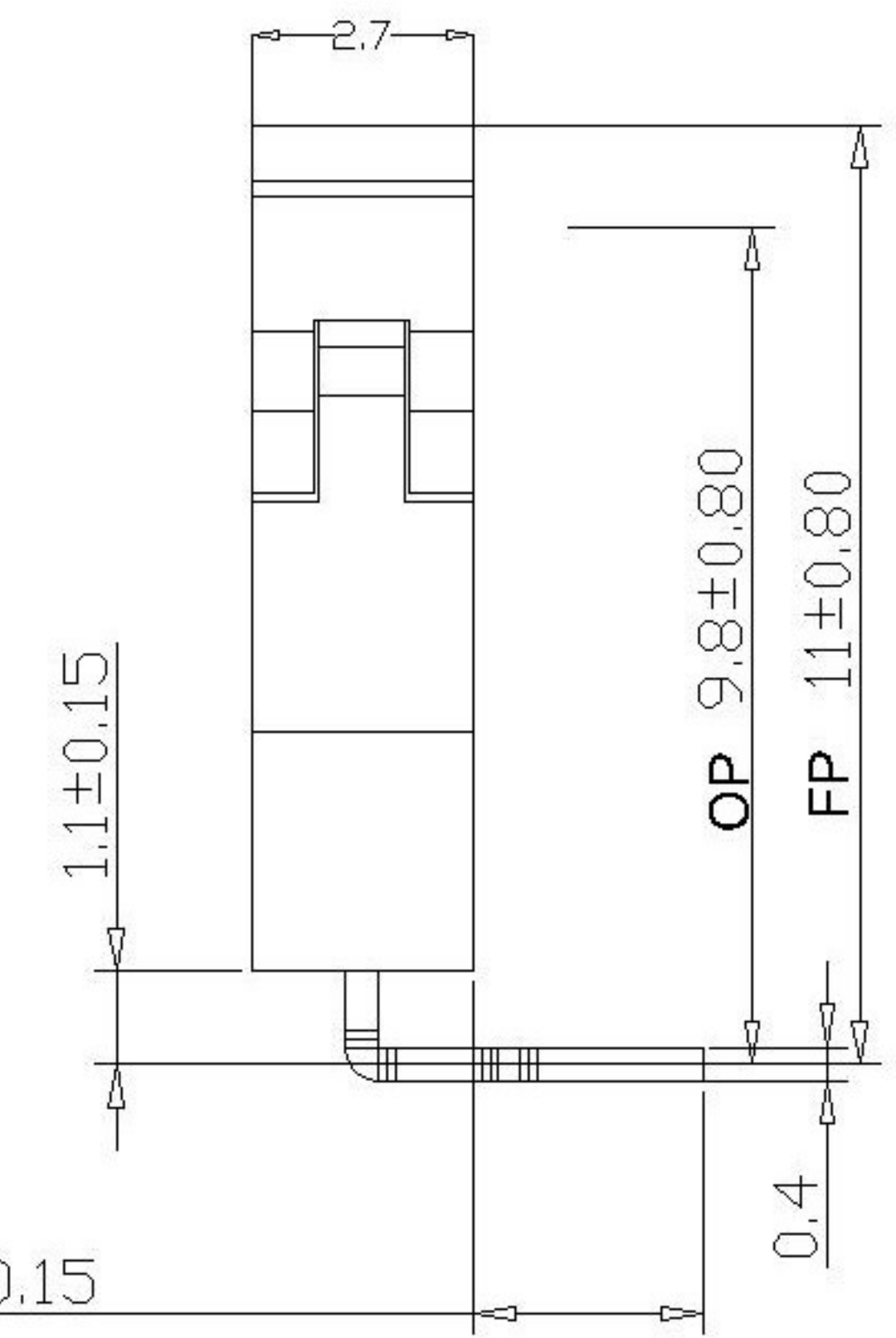
DS037-00P-60



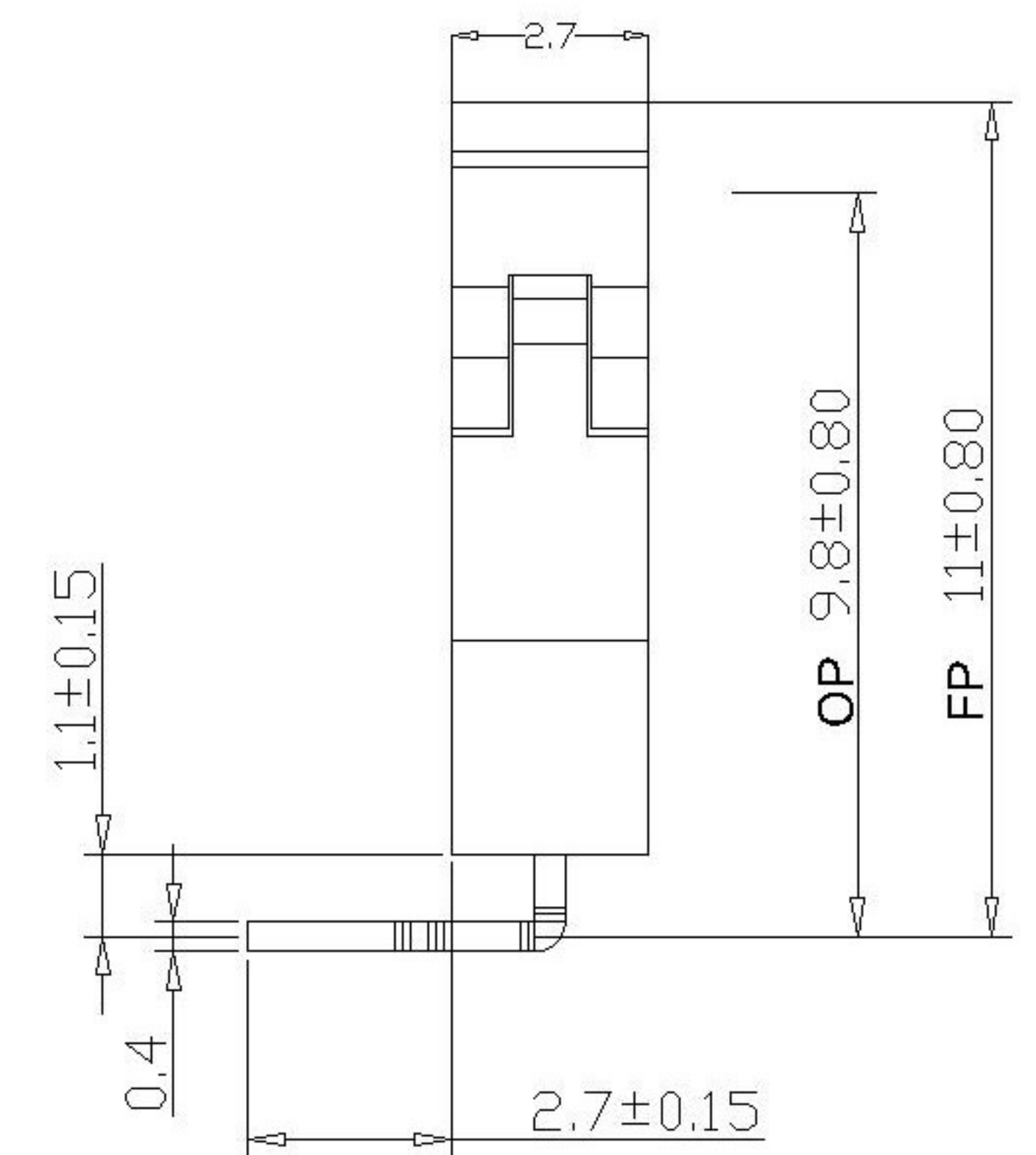
<b>1. Functional spec.</b>	
1.1 Rated Voltage	0.3A @ DC6V;
1.2 Contact Resistance	≤50mΩ (Initial value)
1.3 Operating Force	
1.4 Free Position	
1.5 Operating Position	
<b>2. Reliable Rating</b>	
2.1 Mechanical Life	100,000 cycles
2.2 Electrical Life	50,000 cycles
2.3 Insulation Resistance	> 100M Ω DC100V
2.4 Withstand Voltage	AC250V 1 minute
2.5 Soldering Temper	250°C Max 3 Sec.
2.6 Operating Temper	-25°C - +85°C
2.7 Ambient Humidity Used	<85%RH



DS037-01D-30-C



DS037-01C-30-C



DSND	DATE	SCALE: N/A	MODEL TYPE: MICRO SWITCH
DWN	DATE	VIEW:	PART NO.:
CHKD	DATE	UNIT: mm	DWG NO.:
APPD	DATE	SIZE: A4	DS037-XXX-XXX
KXB INDUSTRIAL PRECISION CO.,LIMITED			WEIGHT 1.0g
			SHEET 1/1
			REVISION A0

MARK	DESCRIPTION	DATE	REVISED	APPROVED	UNSPECIFIED TOLERANCES
ΔX					ANGULAR ±5°
ΔX					L ≤ 4 ±0.2
ΔX					4 < L ≤ 16 ±0.3
					16 < L ≤ 63 ±0.4
					L > 63 ±0.5
REVISIONS					
www.xk-dg.cn www.helloxkb.com www.helloxkb.cn					