

HR872130H

Electrical Specification @25°C

RoHS Compliant (PB Free)

Isolation: 1500Vrms (UTP Side to Chip Side)

OCL: 350uH Minimum @100KHz 100mV with 8mADC

Insertion Loss: -1.0dB Maximum @100KHz ~ 60MHz / -1.1dB Maximum @60MHz ~ 100MHz

Return Loss: -18dB Minimum @0.3MHz ~ 30MHz / -14dB Minimum @40MHz ~ 60MHz
-12dB Minimum @80MHz ~ 100MHz

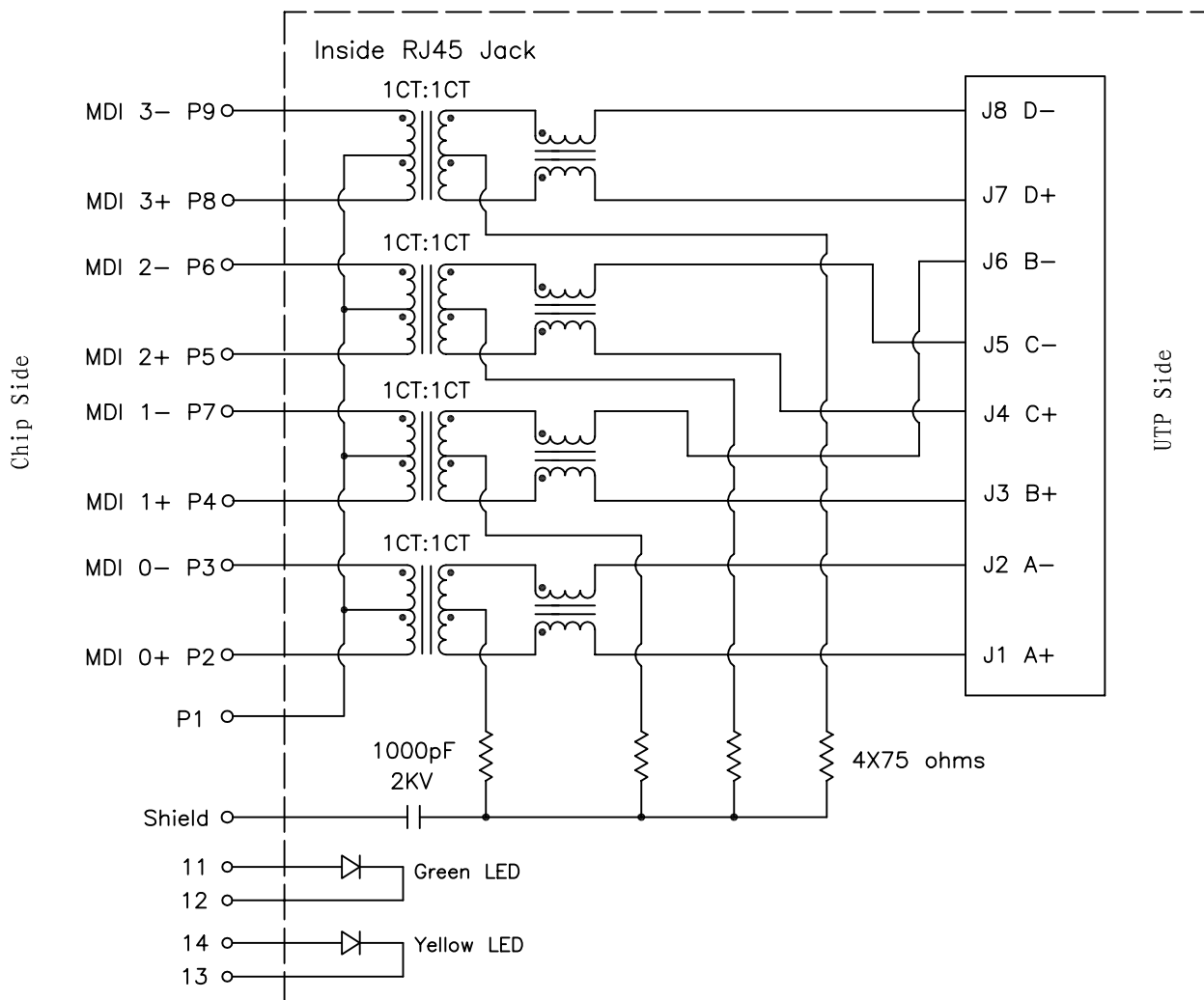
Common Mode Rejection: -40dB Minimum @1MHz ~ 60MHz

-30dB Minimum @60MHz ~ 100MHz

Crosstalk: -35dB Minimum @1MHz ~ 10MHz / -26dB Minimum @15MHz ~ 60MHz

-24dB Minimum @60MHz ~ 100MHz

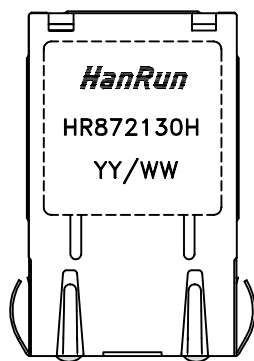
Schematics



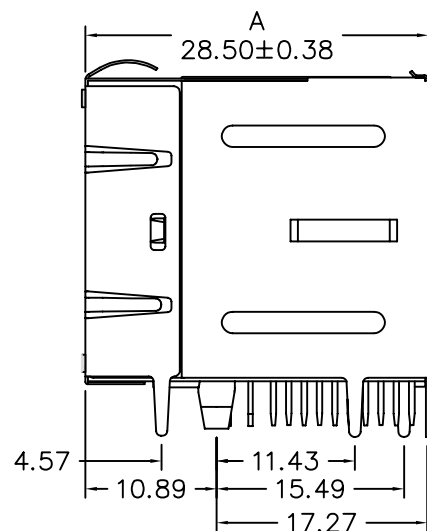
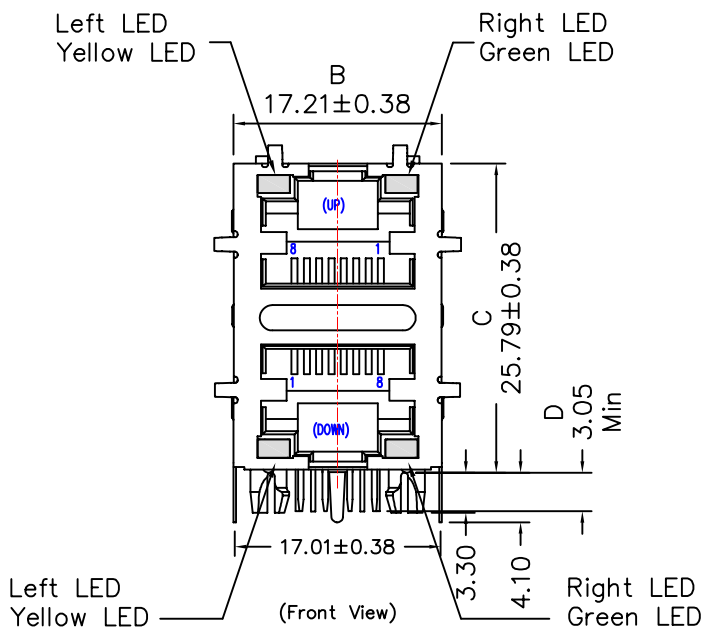
HR872130H

- RoHS Compliant (PB Free)
- Meets or Exceeds IEEE802.3ab standards including 350uH Min OCL with 8mADC
- High performance for EMI suppression, Crosstalk, Return Loss and Consistent Electrical
- Minimum 1500Vrms isolation per IEEE802.3 requirement
- Minimize PCB space and Simplify PCB Layout
- Less magnetic components to place on PCB, Higher reliability and yields

Mechanical Dimensions:



(Top View)



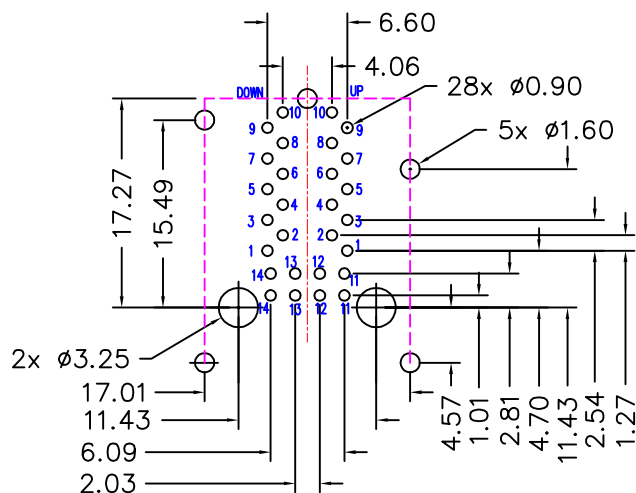
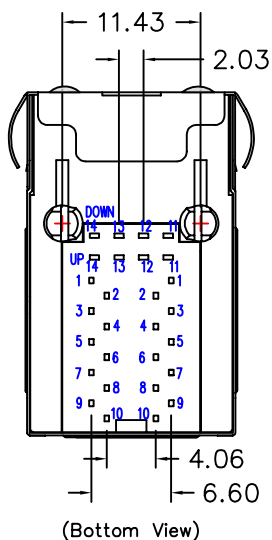
Dimensions in mm

Unless otherwise specified, Tolerance: .xx ±0.25

REV.01

HR872130H

Mechanical Dimensions:



SUGGESTED MOUNTING PATTERN (COMPONENT SIDE)

| Standard LED | Wavelength | Forward V (Min/Max) | Forward A | Type |
|--------------|------------|---------------------|-----------|------------|
| Green | 568nm | 1.8v/2.8v | 20mA | gravestone |
| Yellow | 586nm | 1.8v/2.8v | 20mA | gravestone |

Dimensions in mm

Unless otherwise specified, Tolerance: .xx ±0.25

REV.01