

HY601742E

Electrical Specification @25°C

RoHS Compliant (PB Free)

Operating Temperature Range: -40°C ~ +85°C

Isolation: 1500Vrms (Primary to Secondary)

OCL: 350uH Minimum @100KHz 100mV with 8mADC

Insertion Loss: -1.4dB Maximum @1MHz ~ 100MHz

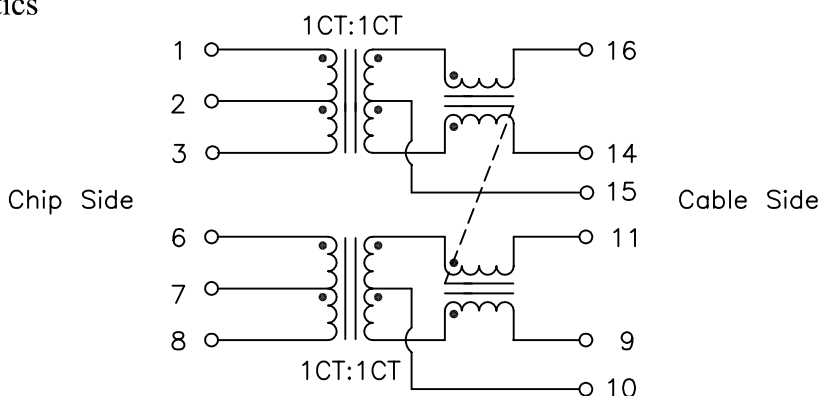
Return Loss: -16dB Minimum @1MHz ~ 30MHz

-14dB Minimum @40MHz / -13dB Minimum @50MHz

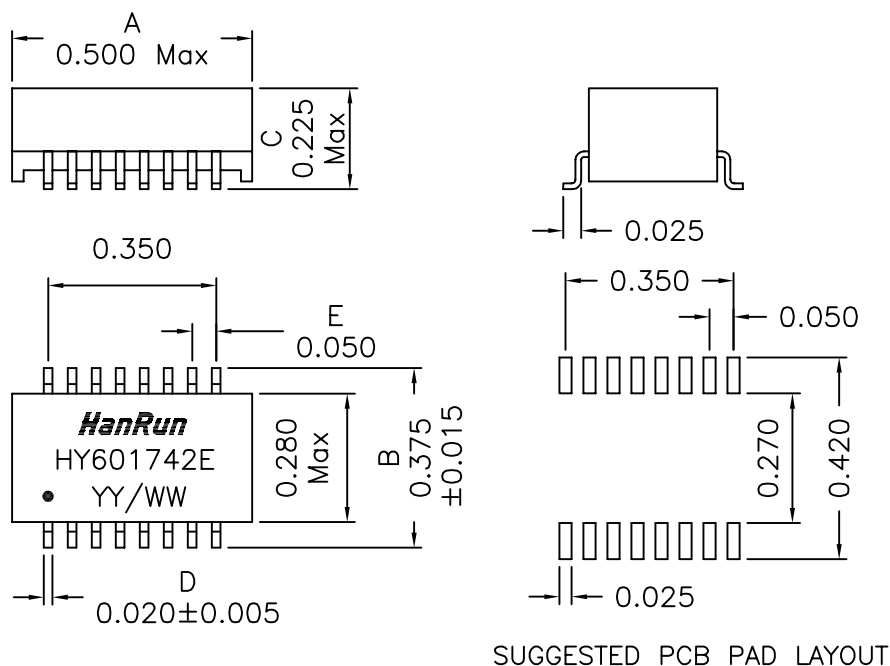
-12dB Minimum @60MHz ~ 80MHz

Crosstalk: -40dB Minimum @30MHz / -35dB Minimum @60MHz / -30dB Minimum @100MHz

Schematics



Mechanical Dimensions



Dimensions in inches

Unless otherwise specified, Tol.: .xxx ±0.010

REV.A