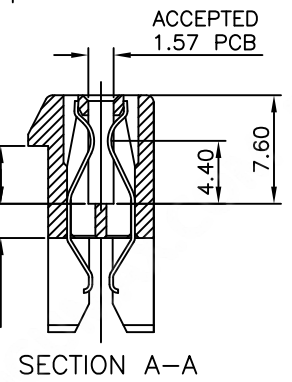


NOTES:

1. MATERIAL:
 - 1.1 HOUSING: THERMOPLASTIC, HIGH TEMP.,UL94V-0; COLOR: SEE PART NO..
 - 1.2 CONTACTS: COPPER ALLOY.
2. FINISH:
 - 2.1 CONTACT: SELECTIVE GOLD PLATING ON CONTACT AREA. 100μ" MIN. MATTE TIN PLATING ON SOLDER TAILS, 50μ" MIN. NICKEL UNDERPLATING OVERALL.
3. PRODUCT SPEC.: XX-XXXX-XX
4. PACKING SPEC.: XXXXXXXXX
5. PART NO.

3157 - 10 X 0 X D

HSG Color _____ Packing Options
 1: Black D: Tray
 Contact Plating _____ No. of Pins
 0: 30μ", Gold 0: 36P
 1: 15μ", Gold 1: 64P
 2: G/F 2: 98P
 3: 164P



DIMENSIONS				
POSITION	A	B	C	D
36	25.00	7.65	6	23
64	39.00	21.65	20	37
98	56.00	38.65	37	54
164	89.00	71.65	70	87

				TOLERANCE			
				LINEAR	ANGLES		
				X.±0.40	X'±		
				.X±0.30	.X'±		
0	-----	Vincent	Jun,15,2010	.XX±0.20	.XX'±	APPD: Jason	MAT'L:
REV	ECN NO.	NAME	DATE	.XXX±0.10	.XXX'±	CHKD: Schumi	FINISH:
						DRWN: Vincent	Q'TY:

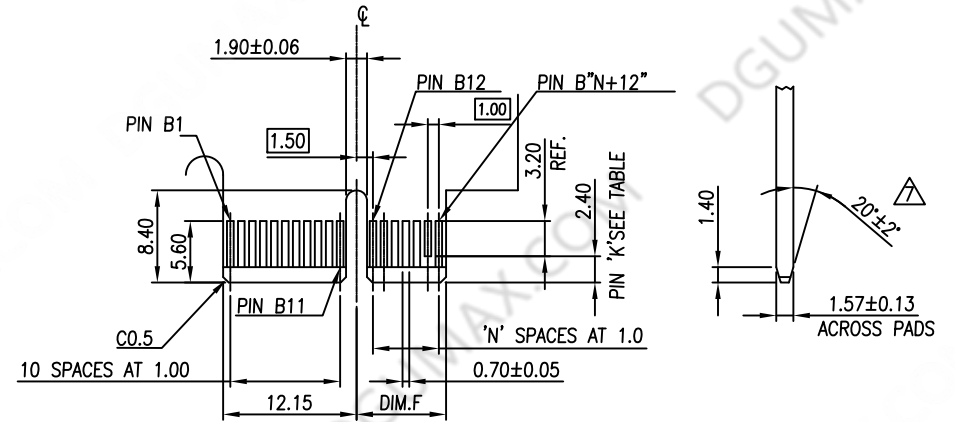
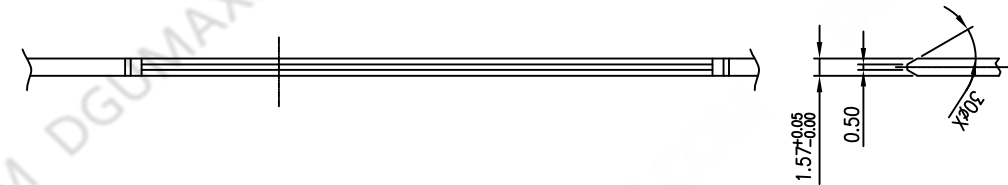
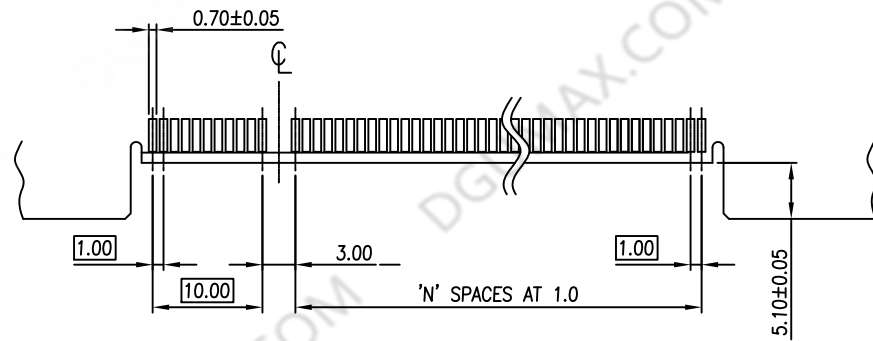
Umax 东莞市友贸实业有限公司
 Dongguan Umax Enterprise Limited

TITLE: PCI EXPRESS CARD EDGE CONNECTOR STRADDLE MOUNT TYPE

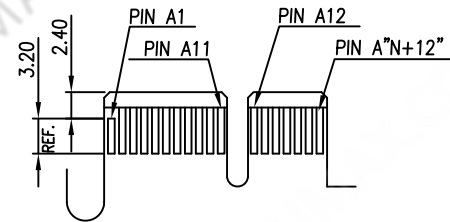
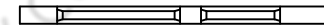
PART NO. 3157-10X0XD
 DWG NO. 3157

UNITS	SCALE	SHEET	REV
MM	1 : 1	1 OF 3	0

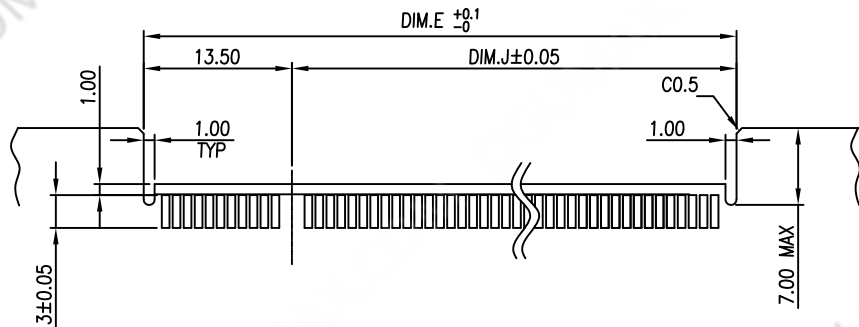
CUSTOMER



I/O PANEL DIRECTION
PRIMARY (COMPONENT) SIDE



SECONDARY (SOLDER) SIDE
PCI-E ADD-IN CARD EDGE-FINGER DIMENSION.



RECOMMENDED PCB LAYOUT
PCB TOLERANCE: ±0.05

6. NO TIE BAR PERMITTED FROM CARD EDGE TO LEADING EDGE OF PAD FOR PINS A1 AND "K"
 △ CHAMFER EDGE MUST BE FREE OF CUTTING BURRS

164	70	87	73.5	72.15	B17,B31,B48,B81
98	37	54	40.5	39.15	B17,B31,B48
64	20	37	23.5	22.15	B17,B31
36	6	23	9.5	8.15	B17
POS.	N	DIM.E	DIM.J	DIM.F	"K"

TOLERANCE	
LINEAR	ANGLES
X.±0.40	X'±
.X±0.30	.X'±
.XX±0.20	.XX'±
.XXX±0.10	.XXX'±

Umax 东莞市友贸实业有限公司
Dongguan Umax Enterprise Limited

TITLE: PCI EXPRESS CARD EDGE CONNECTOR STRADDLE MOUNT TYPE

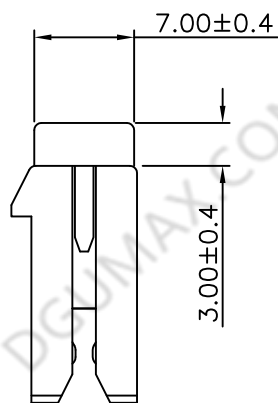
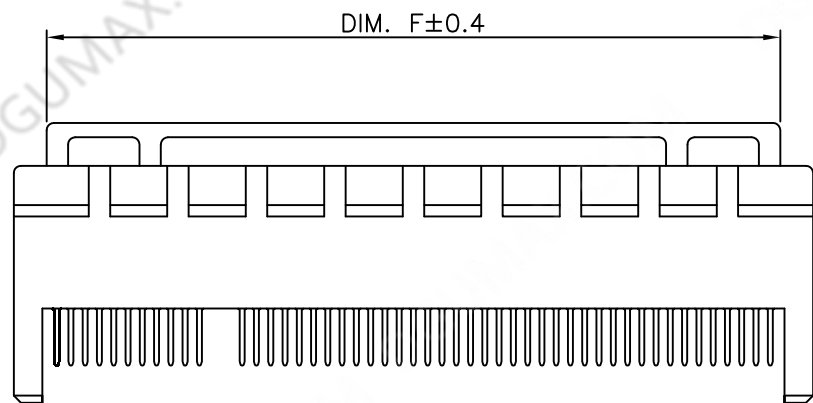
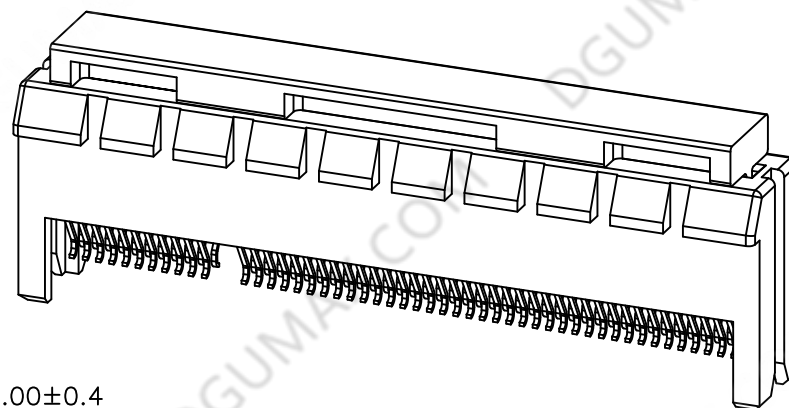
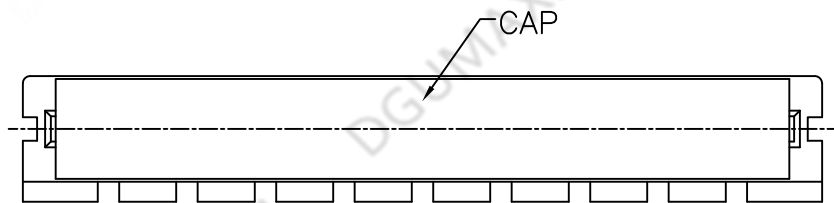
PART NO. 3157-10X0XD

DWG NO. 3157

REV	See Sheet 1	ECN NO.	NAME	DATE
-----	-------------	---------	------	------

APPD:	Jason	MAT'L:	
CHKD:	Schumi	FINISH:	
DRWN:	Schumi	Q'TY:	

UNITS	SCALE	SHEET	REV



ASSEMBLY WITH CAP CONDITION

8.1	20.4
64	34.4
98	51.4
164	84.4
POSITION	DIM F

TOLERANCE	
LINEAR	ANGLES
X.±0.40	X'±
.X±0.30	.X'±
.XX±0.20	.XX'±
.XXX±0.10	.XXX'±

Umax 东莞市友贸实业有限公司
Dongguan Umax Enterprise Limited

TITLE: PCI EXPRESS CARD EDGE CONNECTOR
STRADDLE MOUNT TYPE

PART NO. 3157-10X0XD

DWG NO. 3157

See Sheet 1			
REV	ECN NO.	NAME	DATE

APPD: Jason	MAT'L:
CHKD: Schumi	FINISH:
DRWN: Schumi	Q'TY:

	UNITS	SCALE	SHEET	REV
	MM	1 : 1	2 OF 3	0

CUSTOMER