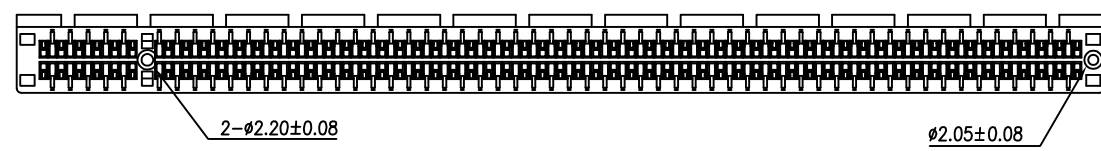
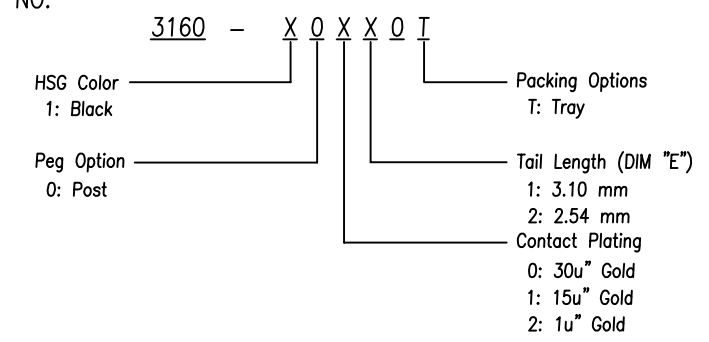


NOTES:

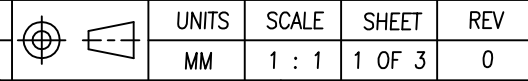
- MATERIAL:
 - HOUSING: THERMOPLASTIC, HIGH TEMP., UL94V-0; COLOR: BLACK
 - CONTACTS: COPPER ALLOY.
- FINISH:
 - CONTACT: SELECTIVE GOLD PLATING ON THE CONTACT AREA. 100μ " MIN. MATTE TIN PLATING ON THE SOLDER TAILS, 50μ " MIN. NICKEL UNDERPLATING OVERALL.
- PRODUCT SPEC.: PS-3GIO-01
- FOR WAVE SOLDER APPLICATION ONLY

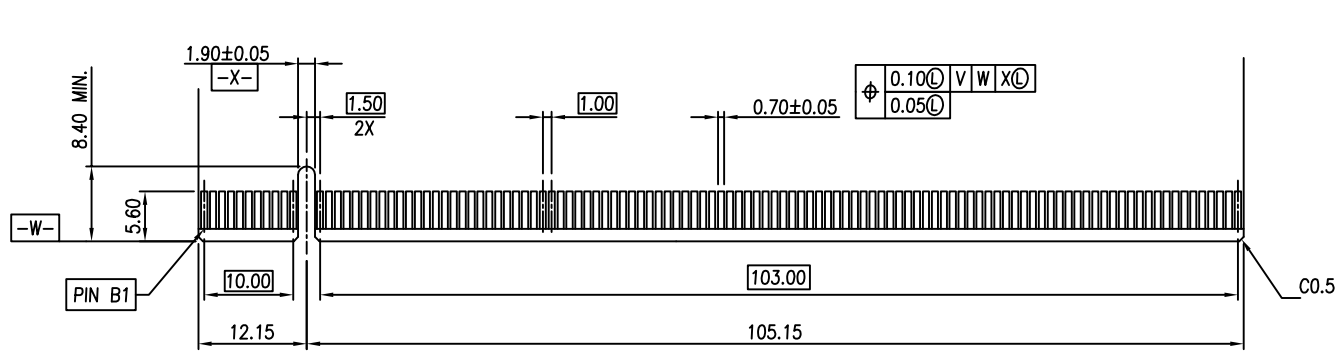


PART NO.



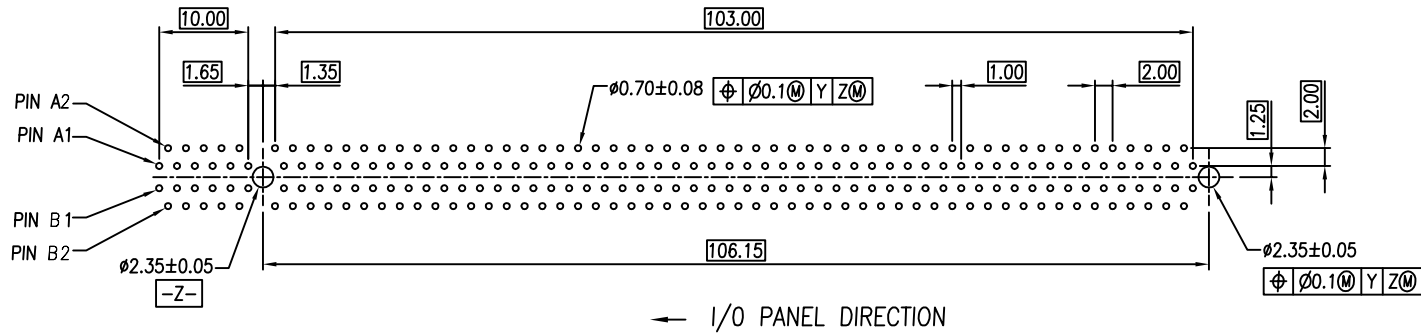
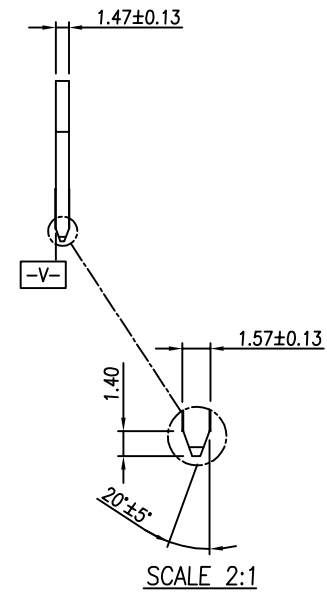
				TOLERANCE		UMax 东莞市友贸实业有限公司 conn DONGGUAN UMAX ENTERPRISE LIMITED		TITLE: PCI EXPRESS CARD EDGE 230P				
				LINEAR	ANGLES			DWG NO. C-3160				
				$X \pm 0.40$	$X' \pm 3'$	APPD:	John	MAT'L:				
				$.X \pm 0.30$	$.X' \pm$	CHKD:	Schumi	FINISH:				
0	---	Terry	Jul,08,2015	$.XX \pm 0.20$	$.XX' \pm$	DRWN:	Jason	Q'TY:				
REV	ECN NO.	NAME	DATE	$.XXX \pm 0.10$	$.XXX' \pm$							





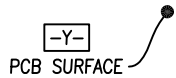
← I/O PANEL DIRECTION PRIMARY (COMPONENT) SIDE

ADD-IN CARD EDGE-FINGER DIMENSIONS



← I/O PANEL DIRECTION

RECOMMENDED FOOTPRINT



TOLERANCE		UMax 东莞市友贸实业有限公司 conn DONGGUAN UMAX ENTERPRISE LIMITED	APPD: John	MAT'L:
LINEAR	ANGLES			
X.±0.20	X'± 3'	CHKD: Schumi	FINISH:	DRWN: Jason
.X±0.15	.X'±			
.XX±0.10	.XX'±	Q'TY:		
.XXX±0.05	.XXX'±			

TITLE: PCI EXPRESS CARD EDGE 230P

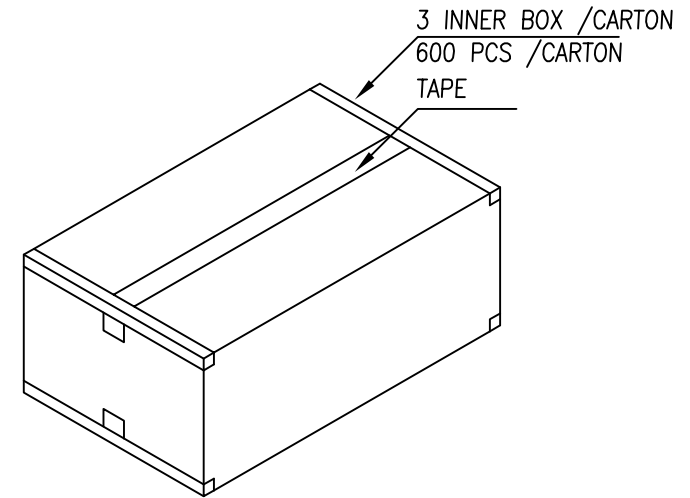
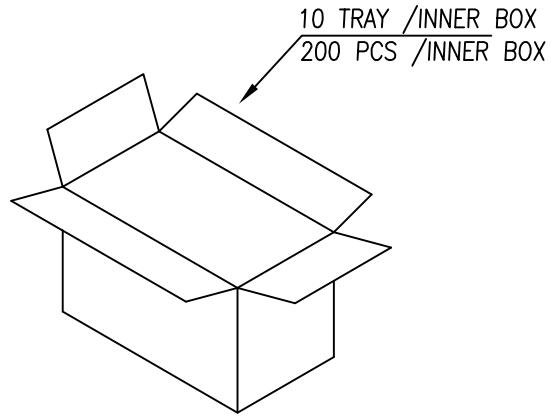
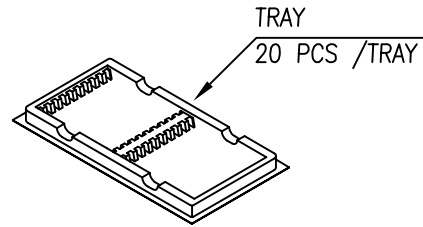
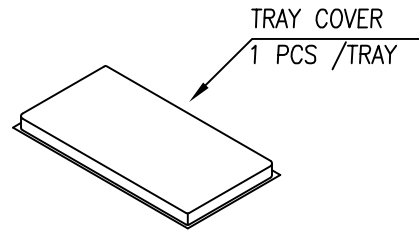
DWG NO. C-3160

REV	ECN NO.	NAME	DATE
	SEE SHEET 1		

UNITS	SCALE	SHEET	REV

NOTES:

1. TRAY COVER SIZE: 329.5mm(L)X 170mm(W)X 20mm(H).
2. TRAY SIZE: 328.5mm(L)X 170mm(W)X 20mm(H).
3. BOX SIZE: 340mm(L)X 187mm(W)X 210mm(H).
4. CARTON SIZE: 576mm(L)X 350mm(W)X 232mm(H).
5. NET WEIGHT: 8.7 Kg.
6. GROSS WEIGHT: 10.4 Kg.



SHIPPING CARTON

REV	SEE SHEET 1	NAME	DATE
	ECN NO.		

TOLERANCE	
LINEAR	ANGLES
X.±0.20	X'± 3'
.X±0.15	.X'±
.XX±0.10	.XX'±
.XXX±0.05	.XXX'±

UMax conn 东莞市友贸实业有限公司 DONGGUAN UMAX ENTERPRISE LIMITED		APPD: John	MAT'L:
		CHKD: Schumi	FINISH:
DRWN: Jason	Q'TY:		

TITLE: PCI EXPRESS CARD EDGE 230P			
DWG NO. C-3160			
UNITS	SCALE	SHEET	REV
MM	1 : 1	3 OF 3	0