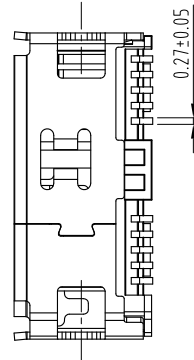
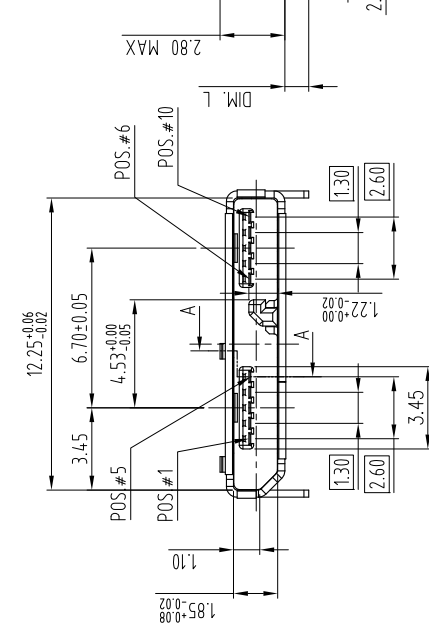
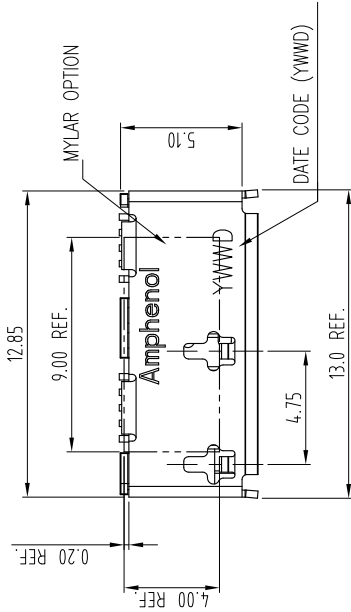


This document is the property of Amphenol Corporation and is delivered on the express condition that it is not to be disclosed, reproduced or used, in whole or in part, for manufacture or sale by anyone other than Amphenol Corporation without its prior consent, and that no right is granted to disclose or to use any information in this document.

The marking on this product doesn't contain environmental hazardous materials per Material Specification SS-00259 for Sony GP compliant or per directive 2011/65/EU for RoHS compliant or per IEC 61249-2-21 for Halogen-Free compliant.



- NOTES:
- HOUSING: HIGH TEMP. THERMOPLASTIC, UL 94V-0, COLOR- BLACK
  - CONTACT: COPPER ALLOY, 30u" MIN. GOLD PLATED ON CONTACT AREA, GOLD FLASH PLATED ON SOLDERING TAIL, 80u" MIN. NICKEL UNDER-PLATED OVERALL
  - METAL SHELL: STAINLESS STEEL, GOLD FLASH PLATED ON THE SOLDERING TABS
  - MYLAR: 4.0 x 9.0 mm
  - PACKAGE DRAWING REFER TO PKS-G5B34-3P10IHR
  - THIS PRODUCT DOESN'T CONTAIN ENVIRONMENTAL HAZARDOUS MATERIALS PER DIRECTIVE 2011/65/EC FOR RoHS AND PER IEC 61249-2-21 FOR HALOGEN FREE COMPLIANT.

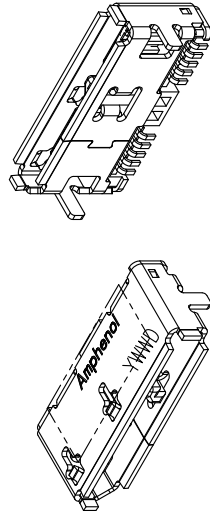
**PART NUMBER:**  
G5B3 43K 3 3 X HR

CONTACT FINISH  
3: 30u" GOLD

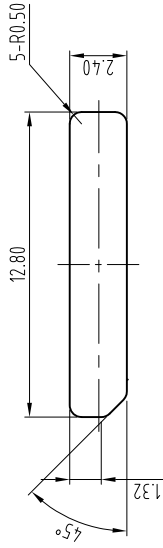
DATE CODE  
Y WW D  
1-7: DATE NO.  
12: WEEK NO.  
6: 2016

VARIATION CODE  
BLANK: STANDARD T&R PACKING  
A: W/ MYLAR, T&R PACKING

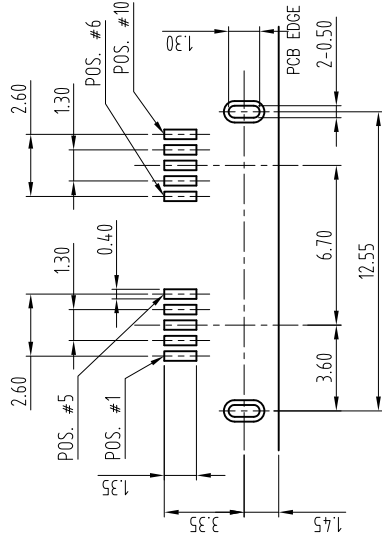
SHELL TAIL LENGTH  
BLANK: DIP L=1.0mm  
1: DIP L=1.4mm



SYM	ECN No.	DESCRIPTION	DATE	APPROVED
A	NE-10151	RELEASE TO PRODUCTION	2010.06.09	Sondra Sang
B	NE-14075	MODIFIED PCB LAYOUT	2010.09.17	Sondra Sang
C	NE-16716	ADDED SHELL TAIL OPTIONS	2014.04.30	Sondra Sang
D	NE-17312	ADDED PANEL CUT OUT	2016.05.13	Sondra Sang
E	NE-17312	ADDED DATE CODE	2017.12.13	Sondra Sang



RECOMMENDED PANEL CUT OUT  
(GENERAL TOLERANCE: ±0.20)



RECOMMENDED PCB LAYOUT - TOP VIEW  
(GENERAL TOLERANCE: ±0.05)

GSB 343 K33 1(X)HR	1.40
GSB 343 K33 (X)HR	1.00
PART NUMBER	DIM. L

<b>Amphenol®</b>	
Amphenol Corporation Amphenol Taiwan Corporation	
PART No.	GSB3 43K 33X (X)HR
DWG No.	GSB34-3K33XHR

TOLERANCE	APPROVALS	DATE	TITLE
X X.X X.XX X.XXX X.XXX	DESIGNED CHECKED APPROVED		USB 3.0 CONNECTOR MICRO_B, RECEPTACLE R/A SHELL DIP TYPE
ANGULAR ±2°			UNIT mm SCALE NA
UNLESS OTHERWISE SPECIFIED	DWG TYPE	PROJECT CODE	SHEET
	CUST DWG	1503	1 OF 1