

Pin #	SIGNAL NAME	DESCRIPTION	MATING SEQUENCE
1	VBUS	POWER	SECOND
2	D-	USB 2.0 DIFFERENTIAL PAIR	THIRD
3	D+		
4	GND	GROUND FOR POWER RETURN	SECOND
5	StdA_SSRX-	SUPERSPEED RECEIVER DIFFERENTIAL PAIR	LAST
6	StdA_SSRX+		
7	GND_DRAIN	GROUND FOR SIGNAL RETURN	
8	StdA_SSTX-	SUPERSPEED TRANSMITTER DIFFERENTIAL PAIR	
9	StdA_SSTX+		
Shell	Shield	CONNECTOR METAL SHELL	FRIST

**Material**

Housing Material: LCP, UL94V-0, blue

Contact Terminal: Brass

Metallic Shell: Brass

Plating

Underplating: Nickel

Contact Plating: 1μ" Gold

Solder Tail: 100μ" Min. Tin

Metallic Shell: Nickel

Electrical

Voltage Rating: 100 V AC

Current Rating: 1.5A

Contact Resistance: 30mΩ Max.

Insulation resistance: 1000MΩ Min.

Dielectric withstanding voltage: 100V AC/Minute

Mechanical

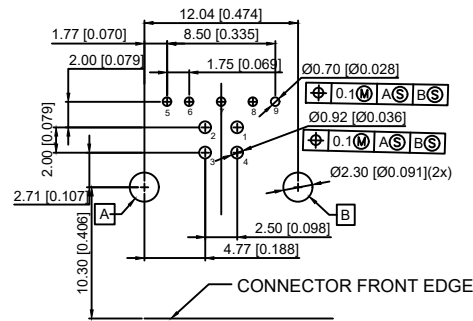
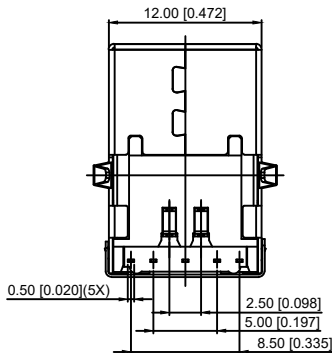
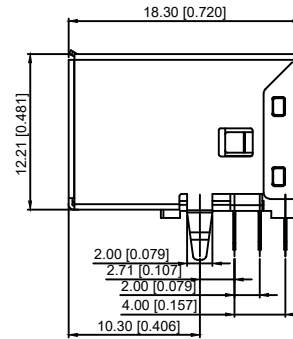
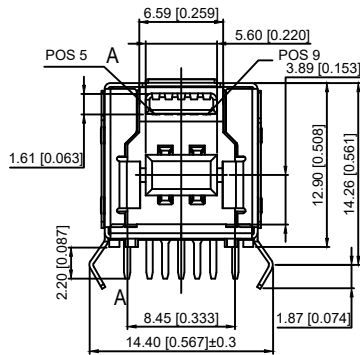
Durability: 1500 cycles

Mating Force: 35N (3.57Kgf) Max

Unmating Force: 10N (1.02Kgf) Min. initial, 8N min after test

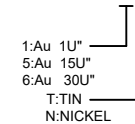
Environmental and Processing

Operating Temperature: -40°C to +85°C



RECOMMENDED PCB LAYOUT

**U235-09XN-4BLRC16-2**



					DSND	DATE	SCALE: N/A	MODEL TYPE: USB 3.0		
				ANGLAR	±5°					
ΔX				L ≤ 4	±0.2		VIEW:	PART NO.:		
ΔX				4 < L ≤ 16	±0.3					
ΔX				16 < L ≤ 63	±0.4			DWG NO.:		
MARK	DESCRIPTION	DATE	REVISED	APPROVED	L > 63	±0.5		U235-09XN-4BLRC16-2		
REVISIONS					UNSPECIFIED TOLERANCES					
www.xk-dg.cn www.helloxkb.com www.helloxkb.cn					KXB INDUSTRIAL PRECISION CO., LIMITED			WEIGHT 1.0g	SHEET 1/1	REVISION A0