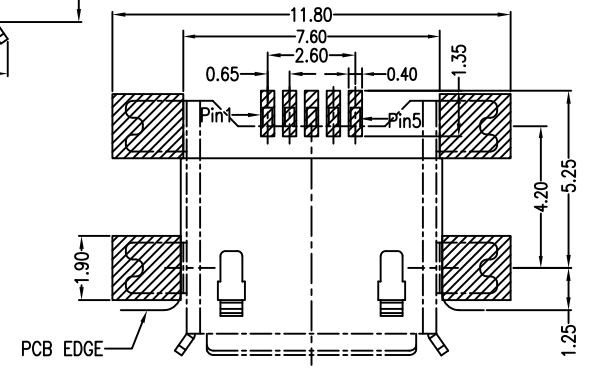
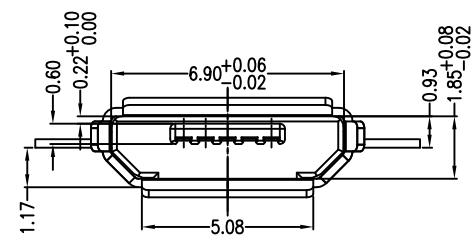
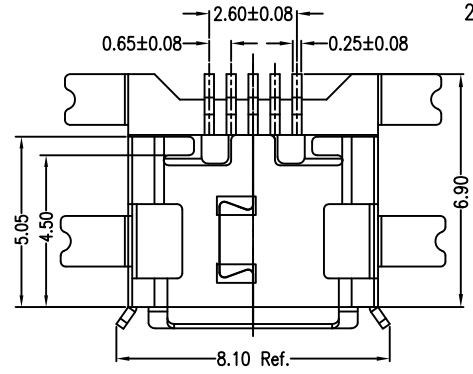
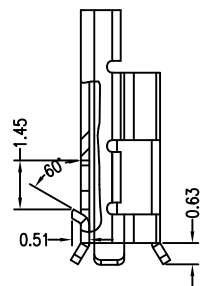
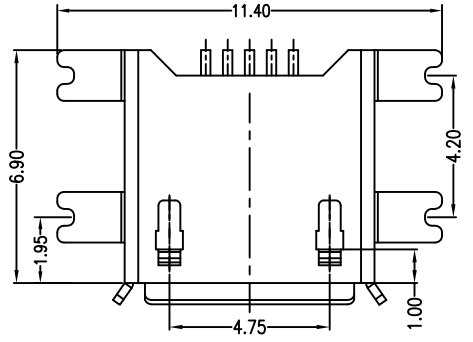
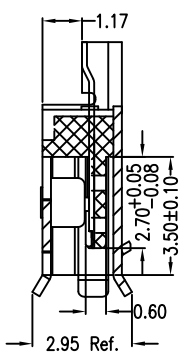
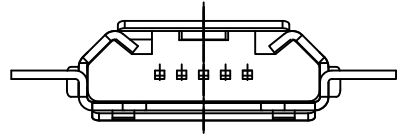


目錄 MAPX	設變內容 MODIFICATION	日期 DATE

- Note:
- Material:
    - Housing: High temperature thermoplastic with g.f,UL94v-0
    - Contact: copper alloy,t=0.15mm
    - Shell: copper alloy,t=0.25mm
  - Specification:
    - Current rating:1,5PIN 1.8A Max/2,3,4PIN 1A Max.
    - Dielectric withstanding voltage: 100 V(ac) for 1 min.
    - Contact resistance: 30 mΩ Max.
    - Insulation resistance: 100 MΩ Min.
    - Total mating force: 3.57 Kgf Max.
    - Total unmating force: 1.0 Kgf Min.
    - Temperature range: -30°C~80°C



RECOMMENDED PCB LAYOUT  
PCB图仅供参考

产品图 PRODUCT CHART DWG		深圳市精拓金电子有限公司								
公差一览表 TOLERANCE UNLESS OTHERWISE				单位 UNITS	MM	制图 DRAWING	Z-Y-B	产品料号 PRODUCT PART NO.	920-F52A2021S10101	
X.	±0.15	X'	±5°	比例 SCALE	1:1	审核 CHKD	雷永键	产品名称 PRODUCT NO.	MICRO 5S-B 沉板式1.17全金四脚全贴有边LCP黑胶	
.X	±0.10	.X'	±2°							
.XX	±0.05	.XX'	±1°	日期 DATE	2013/1/20	核准 APPD	雷永键	角法 VIEW	版本 VER	A0
.XXX	±0.03	.XXX'	±0.5°							