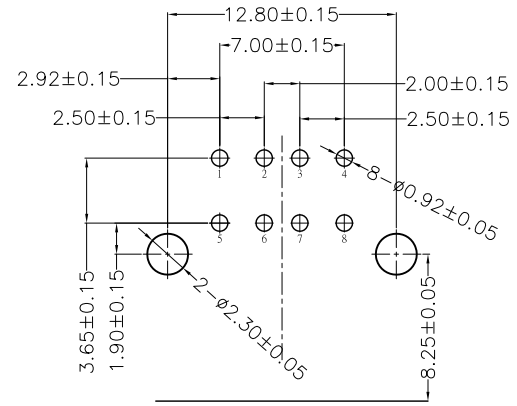
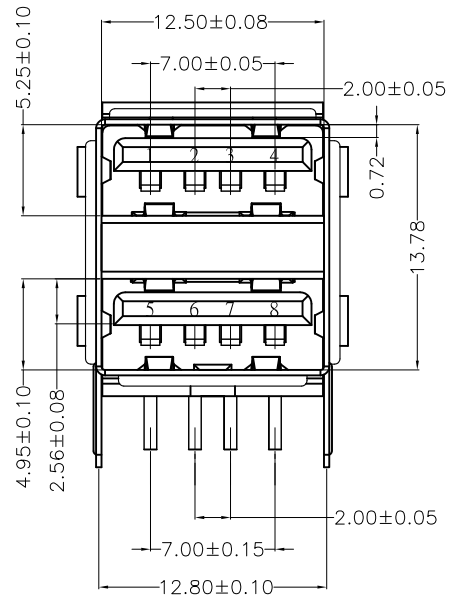
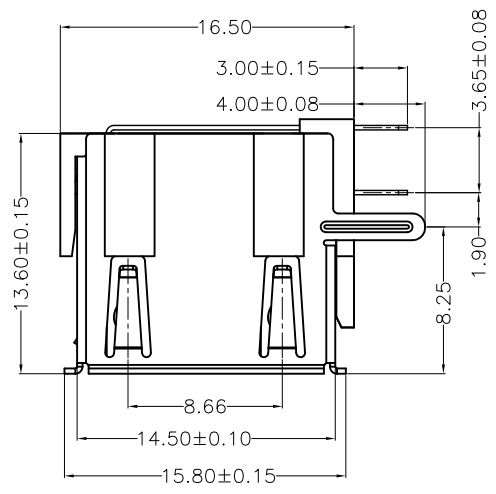
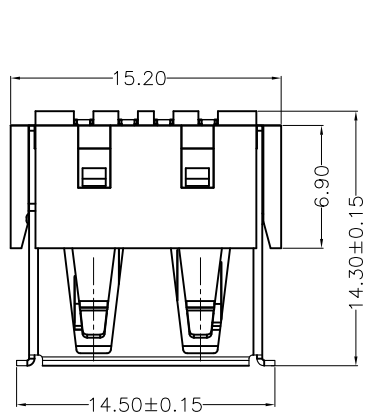


| | | |
|------|--------------|------|
| MAPX | MODIFICATION | DATE |
| | | |



NOTES:

- 1. HOUSING: SEE NOTES, UL94V-0 .
- TERMINAL: SEE NOTES.
- SHELL: SEE NOTES.

SPECIFICATION:

- 1. ELECTRICAL CHARACTERISTIC:
 - CONTACT RESISTANCE: 30MΩ MAX
 - DIELECTRIC WITHSTANDING VOLTAGE: 500V AC FOR 1MIN
 - INSULATION RESISTANCE: 1000MΩ MIN
- 2. MECHANICAL CHARACTERISTIC:
 - INSERTION FORCE: 35N(3.57KGF) MAX
 - EXTRACTION FORCE: 10~35N(1.02~3.57KGF)MIN
- 3. Contact finish:
 - 01:Selective Gold Flash
 - 02:Selective Gold 3U"
 - 03:Selective Gold 5U"
 - 04:Selective Gold 15U"
 - 05:Selective Gold 30U"

| | | | | | | | | | |
|-------------------------------------|-------|--------------|-------|---------------|------------|--------------------------|----------------------|------------------------------|----|
| 产品图 PRODUCT CHART DWG | | 深圳市精拓金电子有限公司 | | | | | | | |
| 公差一览表 TOLERANCE UNLESS OTHERWISE | | 单位 UNITS | MM | 制图 DRAWING | Z-Y-B | 制图料号 PRODUCT PART NO. | 907-211A1021D10200 | | |
| X | ±0.25 | X | ±5.° | 比例 SCALE | 1:1 | 审核 CHKD | 产品名称 PRODUCT NAME | AF90度14.5双层短体直脚有边 铁壳PBT黑胶 | |
| .X | ±0.20 | .X | ±2.° | 日期 DATE | 2014.05.06 | 核准 APPD | 角法 VIEW | 版本 VER | AO |
| .XX | ±0.15 | .XX | ±1.° | | | | | | |
| .XXX | ±0.10 | .XXX | ±0.5° | | | | | | |