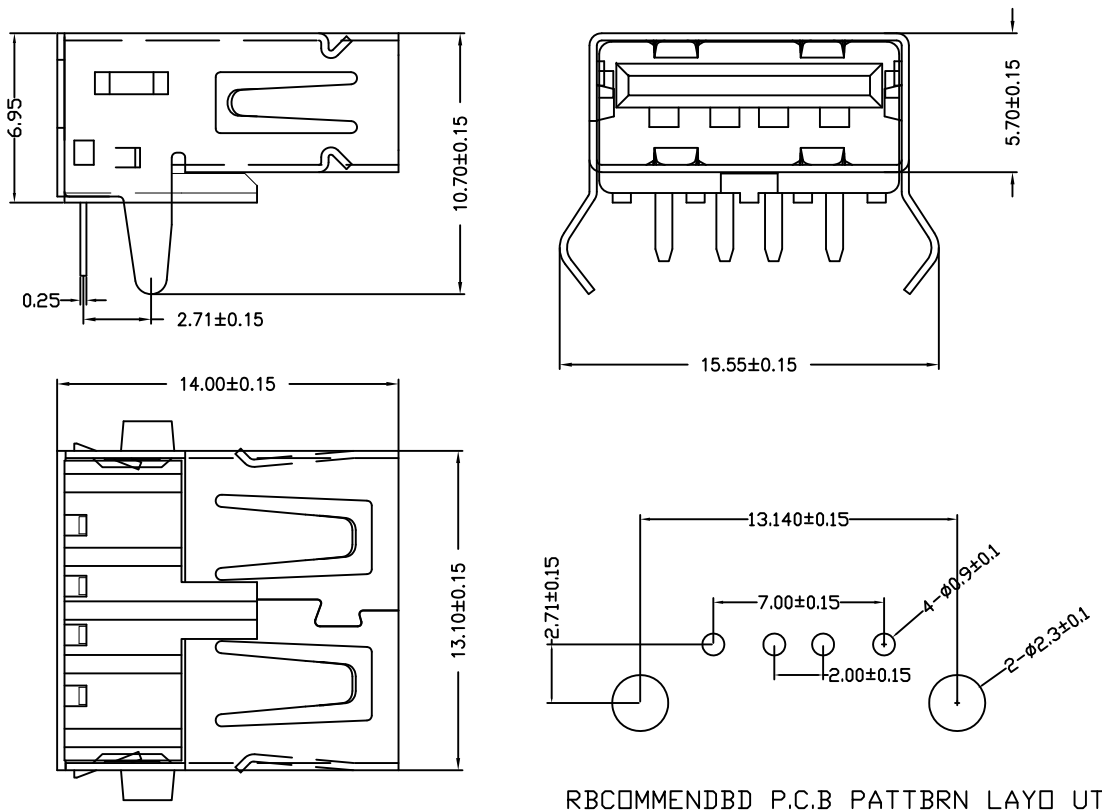


目錄 MAPX	设变内容 MODIFICATION	日期 DATE



RBCOMMENDBD P.C.B PATTBRN LAYD UT

备注：侧弹分为外弹与内弹

NOTES:  
 Housing: Thermoplastics,UL94V-0  
 Contact: Copper Alloy  
 Shell: Copper Alloy/Steel  
 Voltage Current Rating:1.5 AMP. 30V AC  
 Insulation Resistance:1000MΩ Min.  
 Contact Resistance:30 MΩ Max.  
 Dielectric Withstanding Voltage:500W AC  
 Temperature Range:-35°C to +85°C  
 Insulator color: Black/White  
 Plastic material:PBT/LCP/Others  
 Shell finish:Nickel plated/Tin-Lead plated  
 Mechanical:  
 Mating Force: 3.5KG MAX  
 Unmating Force: 0.7 KG MIN.  
 Contact finish:  
 01: Selective Gold Flash  
 02: Selective Gold 3U"  
 03: Selective Gold 5U"  
 04: Selective Gold 15U"  
 05: Selective Gold 30U"

产品图 PRODUCT CHART DWG		深圳市精拓金电子有限公司					
公差一览表 TOLERANCE UNLESS OTHERWISE		单位 UNITS	MM	制图 DRAWING	Z-Y-B	产品料号 PRODUCT PART NO.	902-141A1011D10100
X.	±0.25	X'	±5'	比例 SCALE	审核 CHKD	产品名称 PRODUCT NO.	AF90度内扣弯脚无边内弹铁壳 T型PBT白胶
.X	±0.20	.X'	±2'				
.XX	±0.15	.XX'	±1'	日期 DATE	核准 APPD	角法 VIEW	版本 VER
.XXX	±0.10	.XXX'	±0.5'				
			2009/10/20		雷永键		A0

由 Autodesk 教育版产品制作

由 Autodesk 教育版产品制作