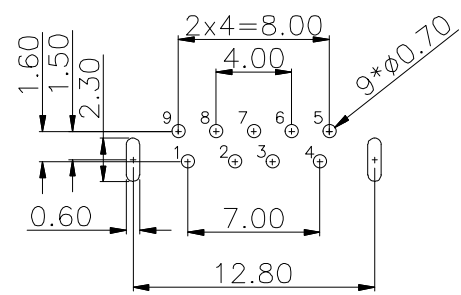
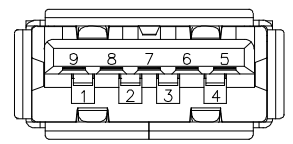
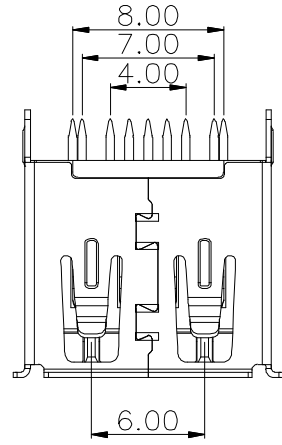
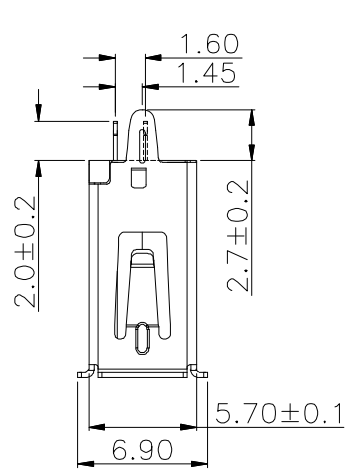
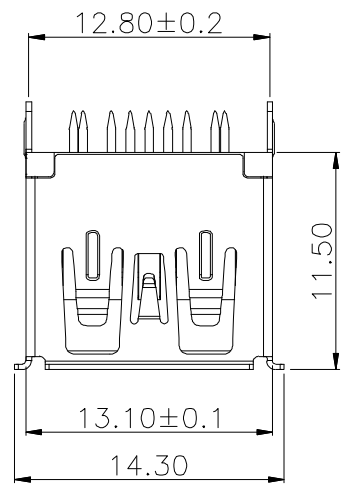
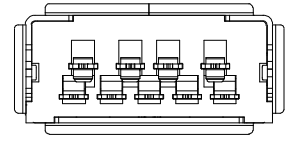
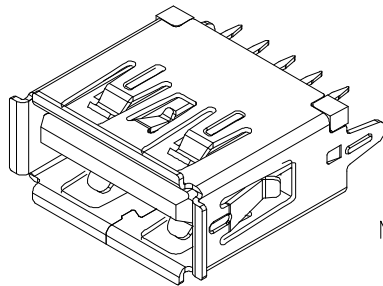


RoHS 2.0

| PIN NUMBER | SIGNAL NAME |
|------------|-------------|
| PIN 1      | Vbus        |
| PIN 2      | D-          |
| PIN 3      | D+          |
| PIN 4      | GND         |
| PIN 5      | StdA_SSRX-  |
| PIN 6      | StdA_SSRX+  |
| PIN 7      | GND_DRAIN   |
| PIN 8      | StdA_SSTX-  |
| PIN 9      | StdA_SSTX+  |
| SHELL      | GND         |



RECOMMENDER P. C. B. LAYOUT TOP VIEW  
(COMPONENT SIDE TOLERANCE±0.05)

| REV. | ECN NO. | DESCRIPTION | DATE     | DESIGN |
|------|---------|-------------|----------|--------|
| A0   |         | 新版发行        | 19/03/05 | Yang   |
| A1   |         | 重新核对图面      | 20/12/31 | LiHui  |

NOTES:

- MATERIAL:
  - HOUSING: LCP ,COLOR IS BLUE,HIGH TEMPERATURE PLASTIC;
  - CONTACT: BRASS ( H65 T=0.20&0.25mm);
  - SHELL: COLD ROLLED IRON(SPPC T=0.30mm);
- ELECTRICAL:
  - VOLTAGE RATING: 30V DC ;
  - CURRENT RATING: 1.5A ;
  - CONTACT RESISTANCE: 30MILLIOHMS MAX.;
  - WITHSTAND VOLTAGE: 100 VAC RMS 50(60)Hz,1MIN.;
  - INSULATION RESISTANCE: 100MEGOHMS MIN @500V DC;
- MECHANICAL:
  - MATING FORCE: 35N MAX.;
  - UNMATING FORCE: 5~35N ;
  - OPERATING LIFE: 1500 CYCLES MIN.;
- PLATING:
  - TERMINAL:
    - NI PLATING OVER ALL,
    - Tin PLATING ON SOLDER AREA,
    - Au G/Fu" ON CONTACT AREA;
  - SHELL: NI PLATING OVER ALL;
- ENVIRONMENTAL:
  - STORAGE TEMPERATURE RANGE: -40°C~+85°C;
  - OPERATION TEMPERATURE RANGE: -25°C~+70°C;

深圳市华灿天禄电子有限公司

|  |  |                                      |               |             |               |
|--|--|--------------------------------------|---------------|-------------|---------------|
| UNLESS OTHERWISE SPECIFIED:<br>GENERAL TOLERANCE:<br>X. xxx ±0.10<br>X. xx ±0.20<br>X. x ±0.30 |  | NAME:<br><b>3.0 A母180° L11.5卷边直脚</b> |               | P/N:        |               |
| THIRD ANGLE PROJECTION<br>   |  | UNIT:<br>MM                          | SCALE:<br>1:1 | SIZE:<br>A4 | SHEET:<br>1/1 |
| DRAWN:   |  | CHECKED:                             |               | APPROVED:   |               |
| ANGULAR:<br>X. xx' ±1°<br>X. x' ±3°<br>X. ° ±5°  |  | DWG NO:<br>HC-ST-003-02-11.5-J       |               |             |               |