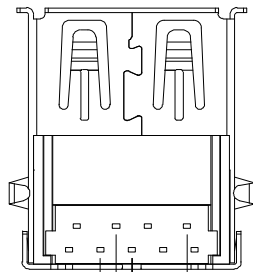
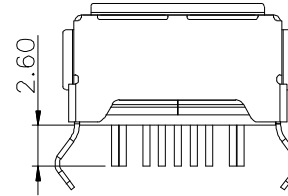
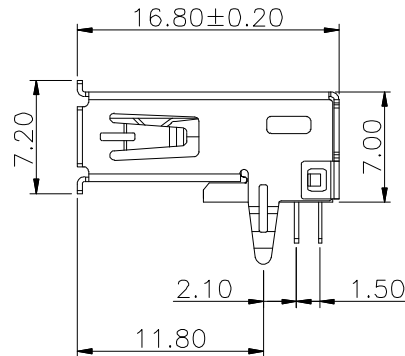
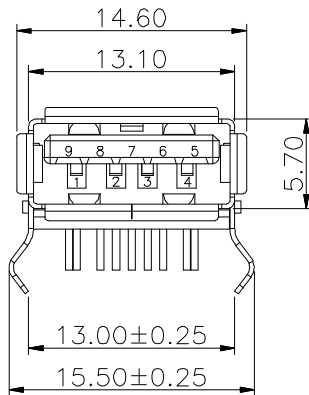
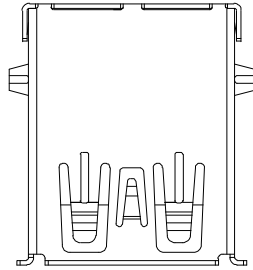
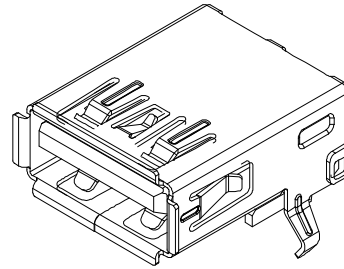
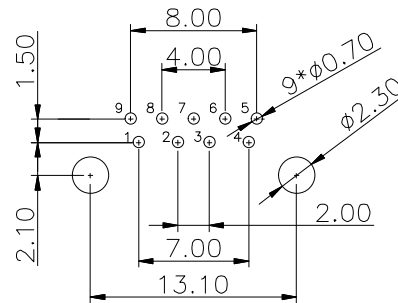


RoHS 2.0

PIN NUMBER	SIGNAL NAME
PIN 1	Vbus
PIN 2	D-
PIN 3	D+
PIN 4	GND
PIN 5	StdA_SSRX-
PIN 6	StdA_SSRX+
PIN 7	GND_DRAIN
PIN 8	StdA_SSTX-
PIN 9	StdA_SSTX+
SHELL	GND



2\*1.00  
4\*2.00  
2\*3.50



RECOMMENDER P.C.B. LAYOUT TOP VIEW  
(COMPONENT SIDE TOLERANCE ±0.05)

REV.	BCN NO.	DESCRIPTION	DATE	DESIGN
A1.	/.	重新核对图面	21.01.14	LiHui

NOTES:

- MATERIAL:
  - HOUSING: PBT ,COLOR IS BLUE;
  - CONTACT: BRASS (H65 T=0.20&0.25mm);
  - SHELL: COLD ROLLED IRON (SPCC T=0.30mm);
- ELECTRICAL:
  - VOLTAGE RATING: 30V DC ;
  - CURRENT RATING: 1.5A ;
  - CONTACT RESISTANCE: 30MILLIOHMS MAX.;
  - WITHSTAND VOLTAGE: 100V AC RMS 50(60)Hz,1MIN.;
  - INSULATION RESISTANCE: 100MEGOHMS MIN @500V DC;
- MECHANICAL:
  - MATING FORCE: 35N MAX.;
  - UNMATING FORCE: 5~35N ;
  - OPERATING LIFE: 1500 CYCLES MIN.;
- PLATING:
  - TERMINAL:  
NI PLATING OVER ALL,  
Tin PLATING ON SOLDER AREA,  
Au G/Fu" ON CONTACT AREA;
  - SHELL: NI PLATING OVER ALL;
- ENVIRONMENTAL:
  - STORAGE TEMPERATURE RANGE: -40°C~+85°C;
  - OPERATION TEMPERATURE RANGE: -25°C~+70°C;

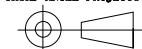
深圳市华灿天禄电子有限公司

UNLESS OTHERWISE,  
GENERAL TOLERANCE:  
X.xxx ±0.10  
X.xx ±0.20  
X.x ±0.30

NAME:  
30A母90°弯脚卷边

P/N:  
DWG NO:  
HC-ST-003-01-J

THIRD ANGLE PROJECTION



UNIT:	SCALE:	SIZE:	SHEET:	REV.
MM	1:1	A4	1/1	A1

ANGULAR:  
X.xx° ±1°  
X.x° ±3°  
X.° ±5°

DRAWN:

CHECKED:

APPROVED: