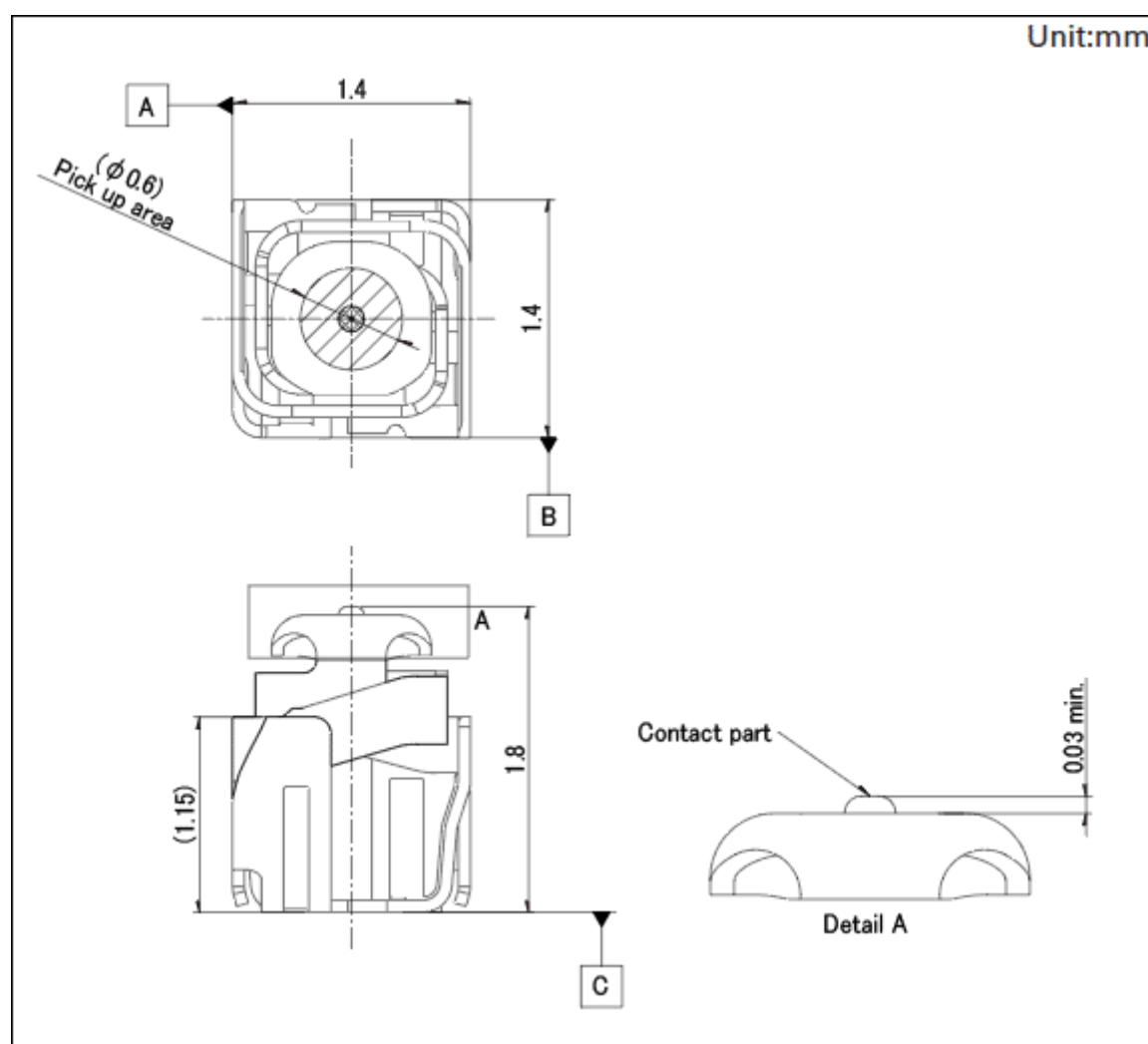


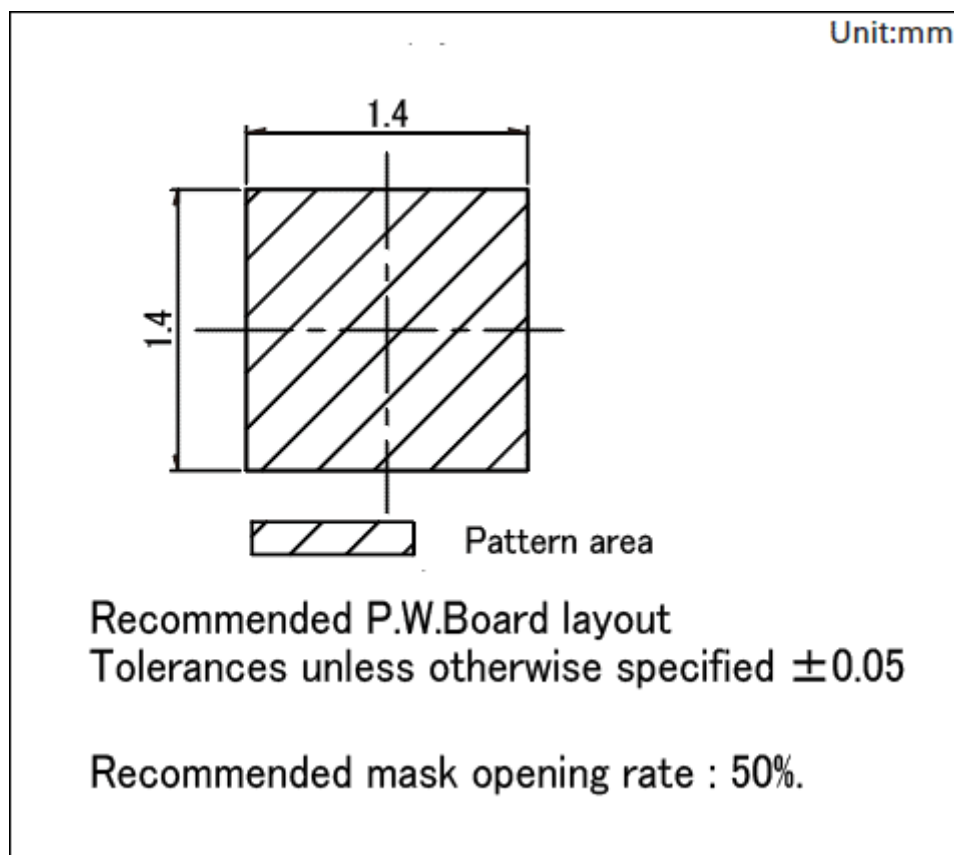
Spring Contact SCTA_A Series (Standard Type)

Dimensions (W × D)	1.4 × 1.4mm
Height in use	1.2 to 1.6mm
Travel	0.6mm
Mounting type	Surface mounting type
Mounting style	Standard mount
Packing system	Taping
Minimum order unit (pcs.)	11,000
Operating temperature range	-30°C to +85°C
Rated current	3A
Contact resistance (Initial)	Connector contacts 40mΩ max.
Stroke Frequency	500 times

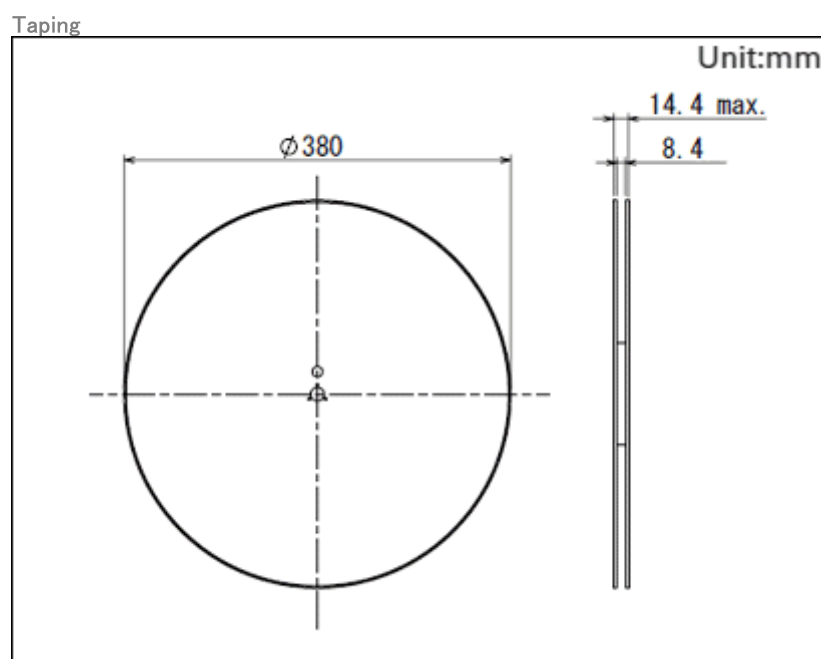
Dimensions



Land Dimensions

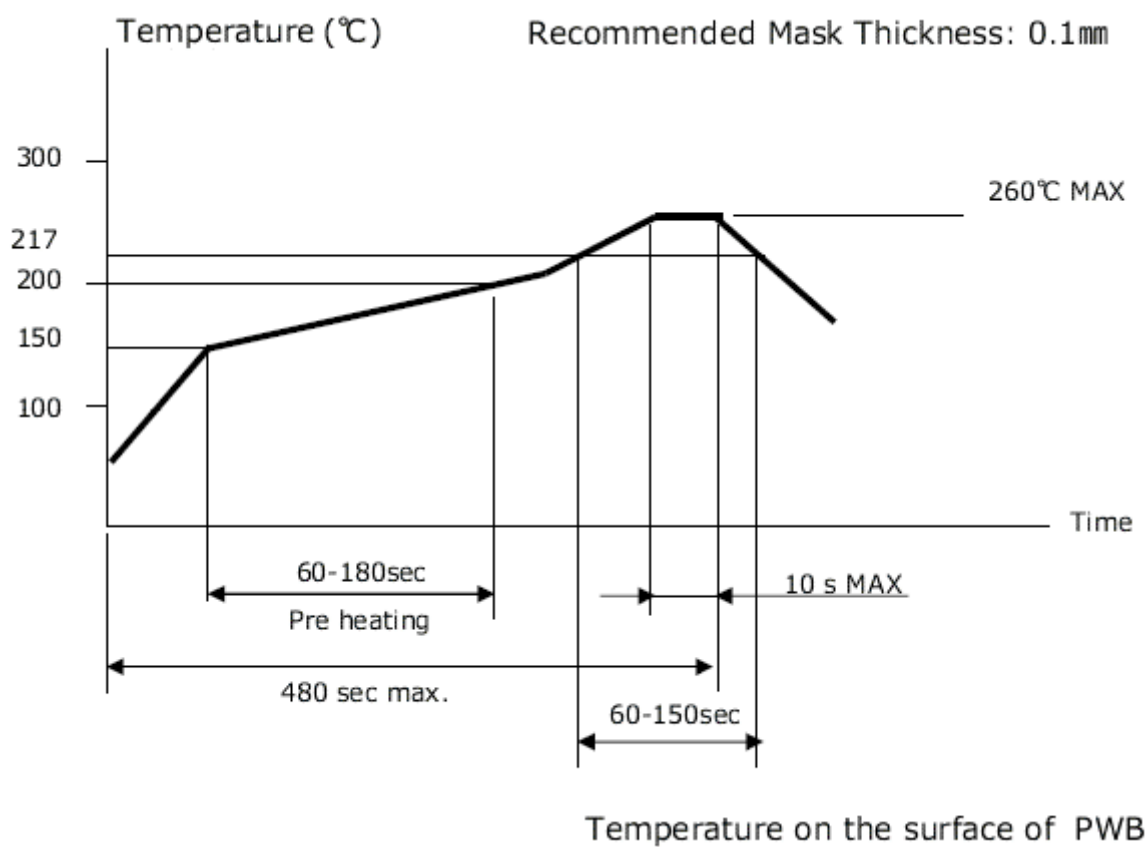


Packing Specifications



Number of packages (pcs.)	1 reel	11,000
	1 case / Japan	33,000
	1 case / export packing	66,000
Tape width (mm)	8	
Export package measurements (mm)	403 × 403 × 167	

Soldering Conditions



Notes are common to this series/models.

1. This site catalog shows only outline specifications. When using the products, please obtain formal specifications for supply.
2. Please place purchase orders per minimum order unit (integer).

Mouser Electronics

Authorized Distributor

Click to View Pricing, Inventory, Delivery & Lifecycle Information:

[Alps Alpine:](#)

[SCTA4A0100](#)