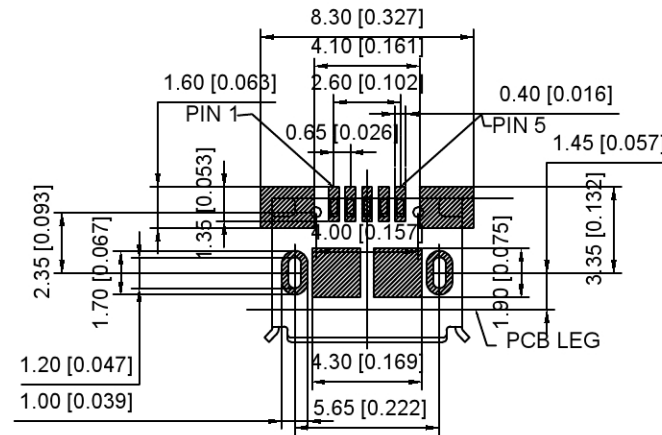
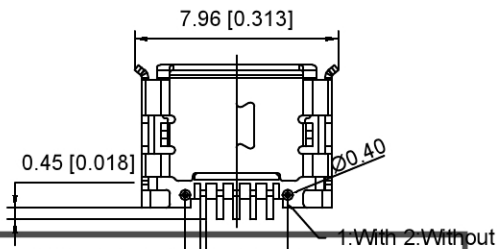
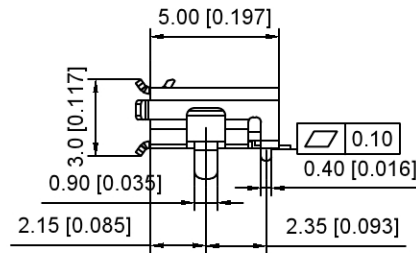
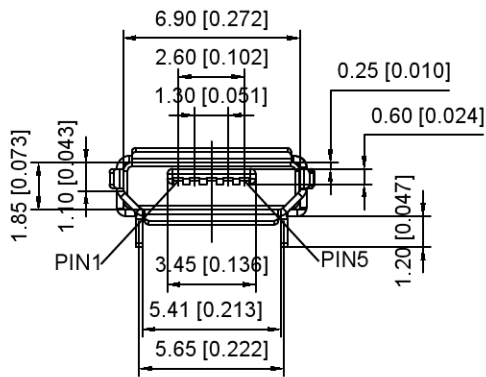


Material
 Housing Material: LCP, UL94V-0, black
 Contact Terminal: Copper Alloy
 Metallic Shell: Sus
 Electrical
 Voltage Rating: 30 V AC
 Current Rating: Signal (Pins 2,3,4): 1.0A, Power (Pins 1,5): 1.8A
 Contact Resistance: 30mΩ Max
 Insulation resistance: 1000MΩ Min
 Dielectric withstanding voltage: 250V AC/Minute
 Mechanical
 Durability: 10,000 cycles
 Mating Force: 35N (3.57Kgf) Max
 Unmating Force: 8N (0.82Kgf) Min.



U254-05XX-4BH83-XXS
 1:AU 1U"
 6:AU 30U"
 T:TIN
 N:NICKEL
 S:Sus
 1:With 2:Without
 S:Scrolls F:Flat

RECOMMENDED P.C.B. LAYOUT
 TOP VIEW (TOLRANCE: ±0.05)

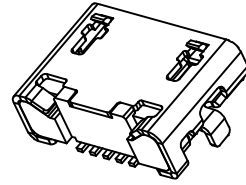
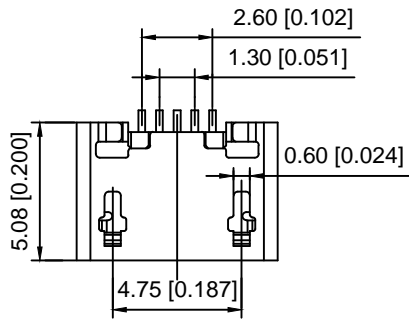
广东星瑞科技股份有限公司

生	日期
發	日期
ΔX	REVISIONS
MARK	DESCRIPTION
文件工程章	REVISIONS
	DATE
	REVISED
	APPROVED
	UNSPECIFIED TOLERANCES

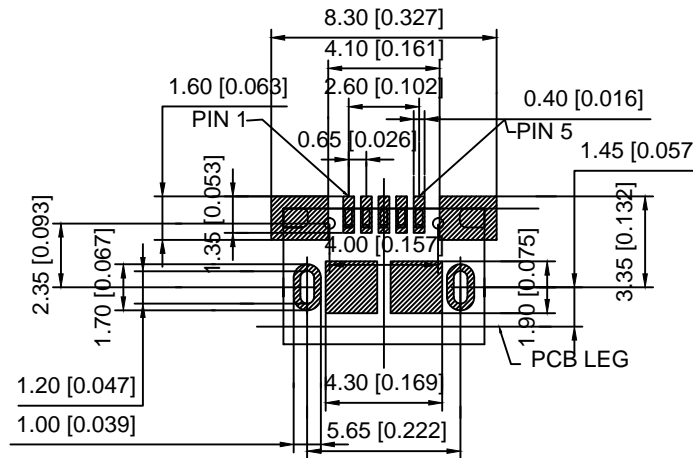
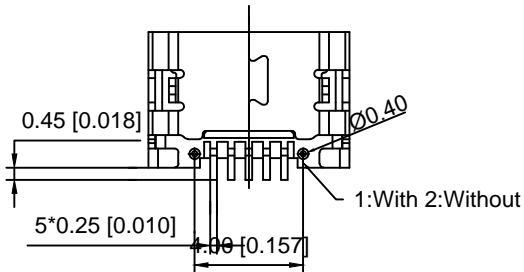
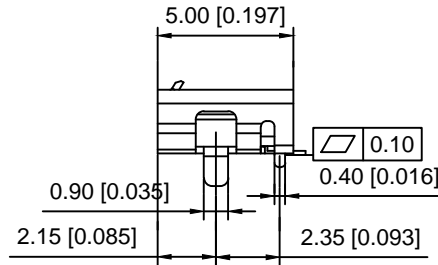
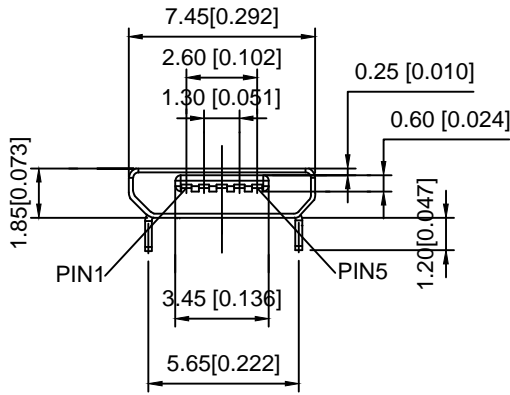
ANGLAR	±5°
L ≤ 4	±0.2
4 < L ≤ 16	±0.3
16 < L ≤ 63	±0.4
L > 63	±0.5

DSND	DATE	SCALE: N/A	MODEL TYPE:
DWN	DATE	VIEW:	MICRO USB
CHKD	DATE	UNIT: mm/in	PART NO.:
APPD	DATE	SIZE: A4	DWG NO.:
			U254-05XX-4BH83-SXS
			WEIGHT
			1.0g
			SHEET
			1/1
			REVISION
			A0

XKB INDUSTRIAL PRECISION CO., LIMITED



Material
 Housing Material: LCP, UL94V-0, black
 Contact Terminal: Copper Alloy
 Metallic Shell: Sus
 Electrical
 Voltage Rating: 30 V AC
 Current Rating: Signal (Pins 2,3,4): 1.0A, Power (Pins 1,5): 1.8A
 Contact Resistance: 30mΩ Max
 Insulation resistance: 1000MΩ Min
 Dielectric withstanding voltage: 250V AC/Minute
 Mechanical
 Durability: 10,000 cycles
 Mating Force: 35N (3.57Kgf) Max
 Unmating Force: 8N (0.82Kgf) Min.



U254-05XX-4BH83-XXS
 1:AU 1U"
 6:AU 30U"
 T:TIN
 N:NICKEL
 S:Sus
 1:With 2:Without
 S:Scrolls F:Flat

RECOMMENDED P.C.B. LAYOUT
 TOP VIEW (TOLRANCE: ±0.05)

					DSND		DATE	SCALE: N/A	MODEL TYPE: MICRO USB	
					ANGLAR		DATE	VIEW:	PART NO.:	
					L ≤ 4		DATE	UNIT: mm/in	DWG NO.:	
					4 < L ≤ 16		DATE	SIZE: A4	U254-05XX-4BH83-FXS	
					16 < L ≤ 63		DATE		WEIGHT	
					L > 63		DATE		SHEET	
					UNSPECIFIED TOLERANCES				REVISION	
www.xk-dg.cn www.helloxkb.com www.helloxkb.cn					XKB INDUSTRIAL PRECISION CO., LIMITED				1.0g	1/1
REVISIONS										A0
MARK	DESCRIPTION	DATE	REVISED	APPROVED						